

M00122

Cordless Kettle Tipper

⚠ General Safety Warning ⚠

Please make sure that you read and follow these instructions carefully. Keep these instructions in a safe place for future reference.

1. INTENDED USE

The Kettle Tipper is an aid to help take the strain off your wrists and to avoid the need to lift heavy kettles full of water. It is suitable for most jug kettles of about 1 to 2 litres.



2. SAFETY

Make sure the kettle is securely fastened in the tipper before use.

It is advised to always leave the kettle on the tipper and use a small jug to fill with water to a recommended maximum of $\frac{3}{4}$ full.

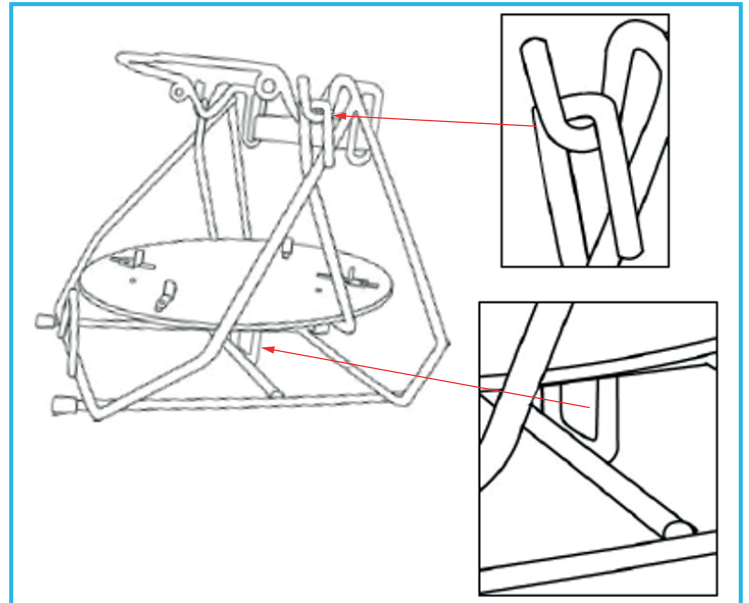
Position the kettle tipper away from sources of heat. Take care to keep fluids away from electrical sources.

3. UNPACKING

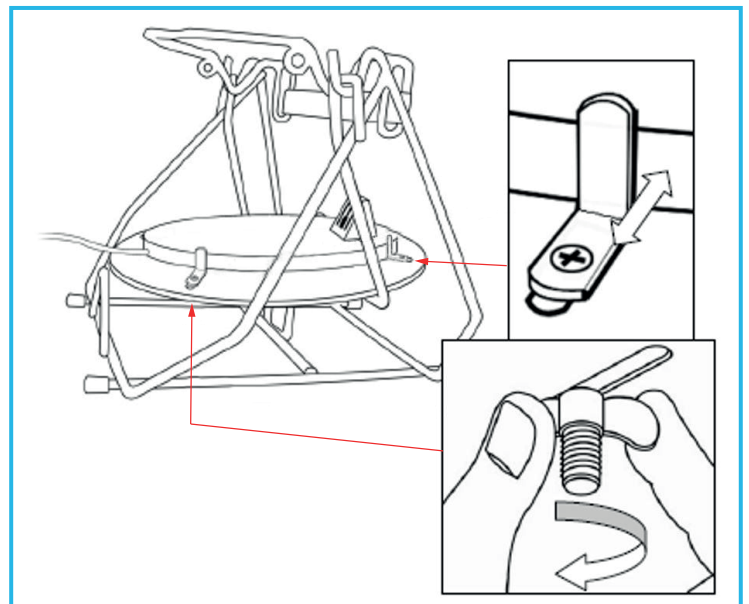
Remove the packaging and check all parts carefully. Contact your supplier immediately if parts are missing or damaged and do not try and assemble.

4. ASSEMBLY/INSTALLATION

Fit the tilt plate to the main framework by hooking over the frame.

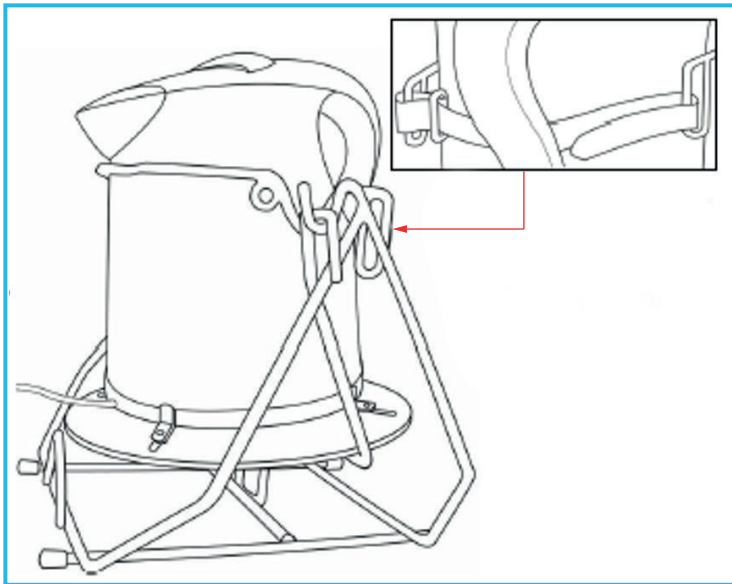


The tilt-plate-stopper must be positioned behind the bar across the base of the frame.



Secure the kettle base onto the tilt plate using the clamps and wing-nuts provided.

Clamp the kettle in place with the 4 x plastic brackets by tightening the wing-nuts on the underside of the tilt-plate.



Place the kettle onto the tipper and fasten in position by attaching the Velcro strap.

Loop the Velcro strap through the kettle handle and secure.

5. IN USE

5.1 Filling the Kettle

It is advised to leave the kettle permanently in the tipper. The kettle can be filled by using a jug to take the water from the sink to the kettle. This avoids carrying a heavy kettle full of water from the sink. Always make sure the element is covered but to avoid any potential spillages, we recommend that the jug kettle be filled no more than three quarters full.

5.2 Pouring

Put the cup or mug etc. that you wish to fill in front of the spout against the 'A', at the front base of the frame. Pour from the kettle by tipping it gently forwards (see image below).



6. MAINTENANCE

Check for general wear or damage. Any suspected faults should be reported to supplier immediately and the product taken out of service.

7. CLEANING INSTRUCTIONS.

To remove the kettle for descaling, remove the Velcro strap and lift off the tipper.

Ensure the mains electric supply is unplugged prior to cleaning the kettle tipper.

Clean regularly using a general purpose, neutral detergent and warm water.

Do not use abrasive cleaners or cloths as these could permanently damage the product.

8. PRODUCT DISPOSAL

This product must be thoroughly cleaned/sterilised prior to disposal.

This product is manufactured from metal and plastic and can be disposed of through Local Authority Household Waste and Recycling Centres or through Local Trade Waste Collectors.

9. PRODUCT GUARANTEE

NRS Healthcare guarantee this product for a period of 12 months, from the date of purchase, against faulty materials and workmanship.

This guarantee does not cover; abuse, misuse, interference or tampering with any part of the product.

Any guarantee issued by NRS Healthcare does not affect your statutory rights.

NRS HEALTHCARE Sherwood House, Cartwright Way, Forest Business Park
Bardon Hill, Coalville, Leicestershire, LE67 1UB, UK.

Tel: Customer Services: 0345 121 8111

Email: customerservice@nrshealthcare.co.uk

NRS Healthcare is a leading supplier of community equipment and daily living aids.
Please visit one of our websites to view our full range of products:
www.healthcarepro.co.uk or www.completecareshop.co.uk