



# Medi-Cart

## Assembly Instructions



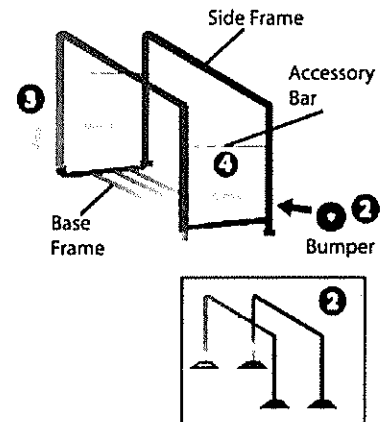
Thank you for your purchase of the LCC-2000 Medi-Cart.  
Before assembly, we suggest you read the following instructions.

Your box should include the following parts:

	LCC-2000-1-SP	LCC-2000-2-SP	LCC-2000-3-SP	LCC-2000-4-SP
<b>Cart Base</b>	1	1	1	1
<b>Cart Side Frame</b>	2	2	2	2
<b>Accessory Bar</b>	2	2	2	2
<b>Bag Frame</b>	1	2	3	4
<b>Plastic Lid</b>	1	2	3	4
<b>Wheel with Brake</b>	2	2	2	2
<b>Wheel w/e Brake</b>	2	2	2	2
<b>Bumper</b>	4	4	4	4

### STEP ONE

1. As you open up your box, you may want to use carton as protective mat during assembly. Ensure all wrapping has been removed.
2. Slide bumpers onto side frames.
3. Slide side frames into cart base. Ensure that holes to install accessory bars are facing inward.
4. To insert accessory bars, gently pull side frames and insert them in holes one end at a time.



### STEP TWO

1. Turn structure upside down. Ensure that side frames are fully inserted. Note: Side Frames must protrude past base frame.
2. Insert wheel into shaft. Push firmly or gently tap with hammer. Two of the wheels come with brakes. We suggest that these both be put at the front of the cart so that they are easily positioned for use.

### STEP THREE

1. Turn structure right side up.
2. To install bag frames - use holes at the top of side frames, align pins under fitting lip and snap on.
3. For carts with more than one bag frame, ensure that all lid stoppers face the same directions.
4. Snap on lids. The handle should face the direction opposite from lid stoppers.

