

N72255

Children's Shower Chair

⚠ General Safety Warning ⚠

Please make sure that you read and follow these instructions carefully. Keep these instructions in a safe place for future reference.

Maximum User Weight



1. INTENDED USE

The Children's Shower Chair is designed for use in a bathroom or shower to provide a stable seated surface for children who are unable to stand for prolonged periods of time.



Figure 1: N72255 Children's Shower Chair

2. SAFETY

WARNING: The maximum user weight must not be more than 64Kg (10st).

DO NOT: Attempt to stand or climb on the product.

MAKE SURE: All legs are set at equal height to avoid rocking.

3. UNPACKING

Remove the packaging and check all parts carefully. Contact your supplier immediately if parts are missing or damaged and do not try and assemble.

3.1 Contents:

1. Frame x 1
2. Seat x 1
3. Leg Extension x 4
4. Anti Rattle Collar x 4
5. E-clip x 4
6. Stainless Steel Screw x 4

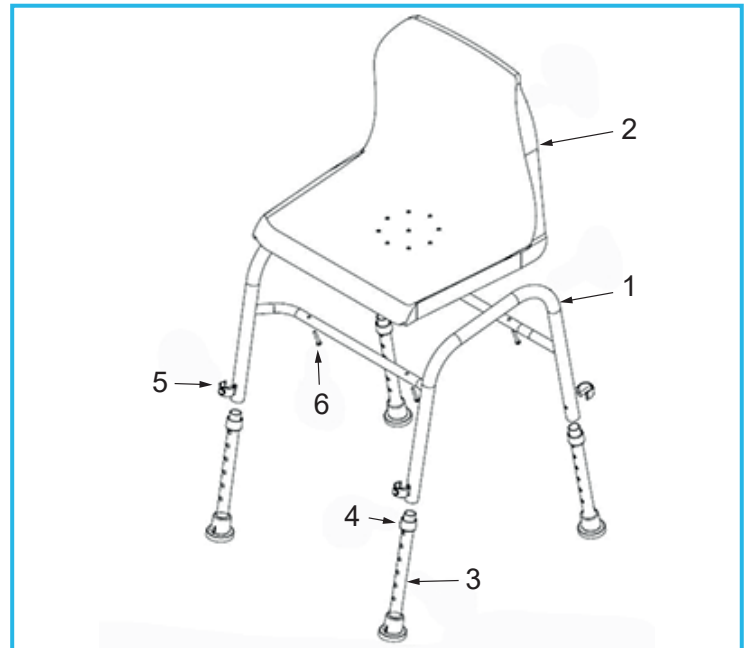


Figure 2: Contents

4. ASSEMBLY/INSTALLATION

4.1 To Fit the Seat:

1. Position the seat on the frame such that the arms of the frame slope down towards the front of the seat, figure 1.
2. Fit the four stainless steel screws up through the frame into the holes on the underside of the seat, figure 3.

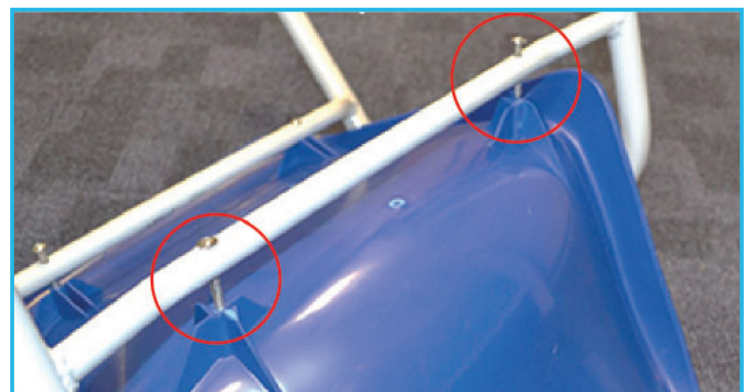


Figure 3: Fitting the Seat to the Frame

Note: Take care not to overtighten the screws as this may damage the seat.

4.2 To Fit the Legs:

1. Insert the four leg extensions into the four corners of the frame.
2. Push the anti-rattle collar up onto the main frame, figure 4.
3. Rotate the leg extension inside the frame such that the raised indicator on the ferrule is facing out, away from the chair, figure 5.
4. Align the holes and insert the 'e-clip' to secure, figure 5.



Figure 4:

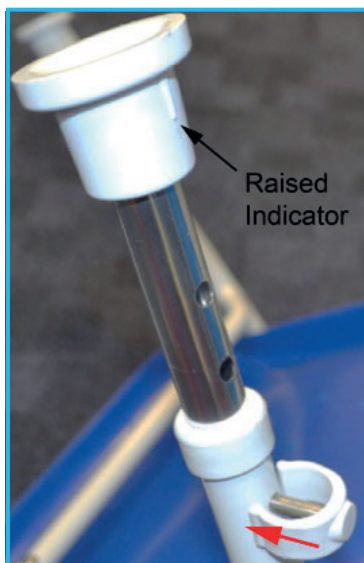


Figure 5:

4.3 To Adjust the Legs:

Note: The optimum seat height allows the user to sit back in the chair with their feet flat on the floor and their thighs fully supported on the seat.

Adjust the seat height to achieve this for each user.

1. Remove the 'e-clips' and slide the legs to the desired height.
2. Align the holes and re-insert the 'e-clips'.

Note: Ensure that all four legs are adjusted to the same height to prevent instability and rocking.

5. MAINTENANCE

Check that all fixing clips are inserted correctly and that there is no excessive movement.

Check the seat is correctly fitted and is secure.

Inspect the product regularly for signs of wear or damage, pay particular attention to the condition of the ferrules.

Any suspected faults or damage should immediately be reported to the supplier and the product taken out of use.

6. CLEANING INSTRUCTIONS.

Clean regularly using a general purpose, neutral detergent and warm water.

Please check the suitability of the cleaning products before use. Do not use abrasive cleaners or cloths as these could permanently damage the surface and invalidate any warranty.

To disinfect, wipe with a dilute bleach solution and rinse thoroughly with fresh water.

Allow the product to dry fully prior to use/storage.

7. PRODUCT DISPOSAL

This product must be thoroughly cleaned/sterilised prior to disposal.

This product is manufactured from metal and plastic and can be disposed of through Local Authority Household Waste and Recycling Centres or through Local Trade Waste Collectors.

8. PRODUCT GUARANTEE

NRS Healthcare guarantee this product for a period of 12 months, from the date of purchase, against faulty materials and workmanship.

This guarantee does not cover; abuse, misuse, interference or tampering with any part of the product.

Any guarantee issued by NRS Healthcare does not affect your statutory rights.

NRS HEALTHCARE Sherwood House, Cartwright Way, Forest Business Park
Bardon Hill, Coalville, Leicestershire, LE67 1UB, UK.

Tel: Customer Services: 0345 121 8111

Email: customerservice@nrshealthcare.co.uk

NRS Healthcare is a leading supplier of community equipment and daily living aids.
Please visit one of our websites to view our full range of products:
www.healthcarepro.co.uk or www.completecareshop.co.uk