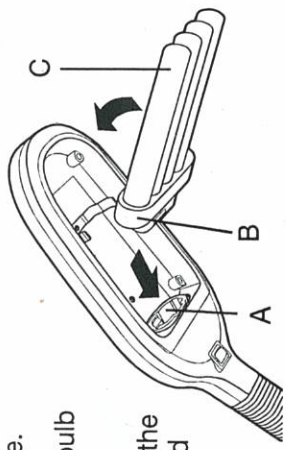


## Bulb Replacement Instructions

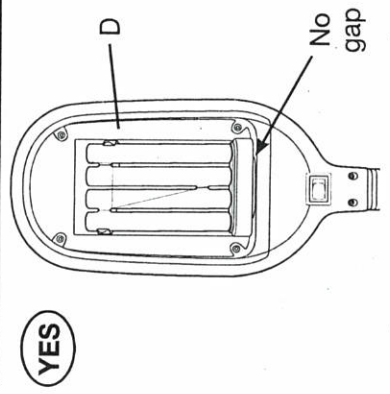
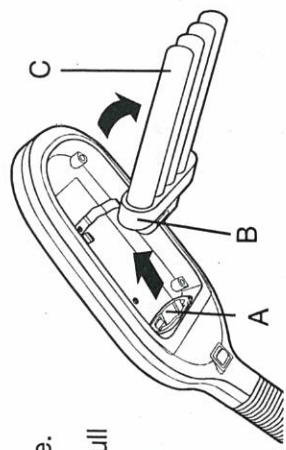
### Installation

1. Unplug lamp from power source.
2. Firmly hold base (B) and push bulb (C) into the socket (A).
3. Be sure bulb is firmly seated in the socket (see below) and snapped into the metal bulb clip (D).



### Removal

1. Unplug lamp from power source.
2. Firmly hold bulb base (B) and pull bulb (C) from the socket (A) in an outward motion.

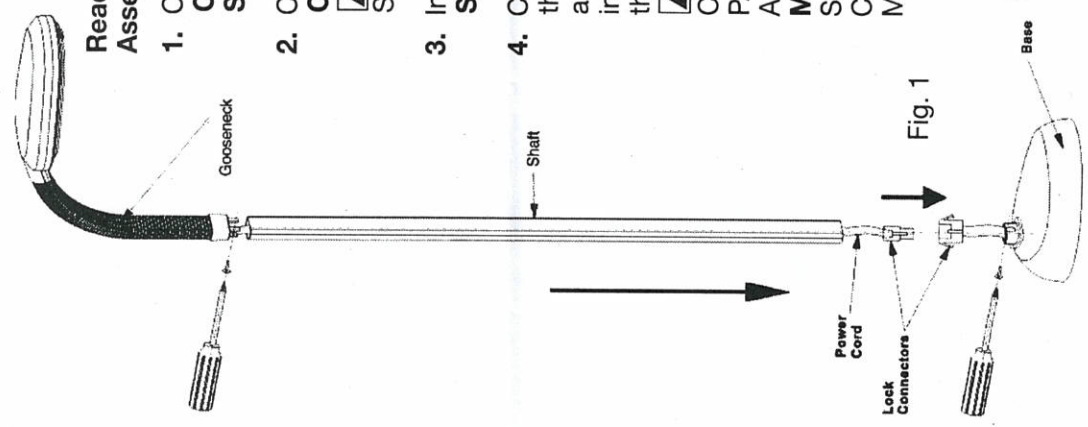


Correctly seated bulb  
**CAUTION:** ALWAYS UNPLUG LAMP BEFORE PERFORMING BULB REPLACEMENT OR INSTALLATION.  
 MISE EN GARDE : TOUJOURS DÉBRANCHER LA LAMPE AVANT DE REMPLACER OU DE POSER L'AMPOULE.

## Assembly Instructions

### Read Instructions Carefully Before Assembly:

1. Connect the two ends of the **Power Cord (between the Base and the Shaft)** using the lock connectors.
2. Carefully tuck excess **Power Cord** into the **Shaft**.  
**WARNING: DO NOT CUT OR SHORTEN THE POWER CORD.**
3. Insert the **Gooseneck** and the **Shaft** into the **Base**.
4. Check direction of the lamp and the hole on the **Base**, then use a Phillips Head Screwdriver (not included) to tighten the screw into the hole.



**CAUTION:** BE VERY CAREFUL NOT TO PINCH ANY PART OF THE CORD BETWEEN ANY METAL PIECES.  
**MISE EN GARDE :** PRENDRE SOIN DE NE PAS PINCER LE CORDON DANS DES PIÈCES METALLIQUES.



Lifemax Ltd  
 Unit 1 Pipers Court,  
 Thatcham,  
 Berkshire, RG19 4ER  
 www.lifemaxuk.co.uk