

User Instructions

Mowbray Toilet Frame & Seat Range

Maximum User
Weight:



G44869 - Mowbray Stacking (Free Standing)

L66242 - Mowbray Floor Fixed

M11089 - Mowbray Width Adjustable (Free Standing)

General Safety Warning

Please ensure these instructions are fully read and understood before installation/ use. Retain these instructions in a safe place for future reference.

Intended Purpose

The Mowbray toilet frame and seat range is designed to assist those who have difficulty in lowering onto or rising from a standard toilet. The plastic moulded seat offers support in a natural position and the frame is height and width* adjustable.

*(*Only available with M11089 – Mowbray width adjustable version)*

Specification

One piece moulded plastic seat.
White epoxy coated frame.
Non-slip ferrules (free standing versions)

Fitting Instructions

The free standing versions of the Mowbray are delivered ready assembled.

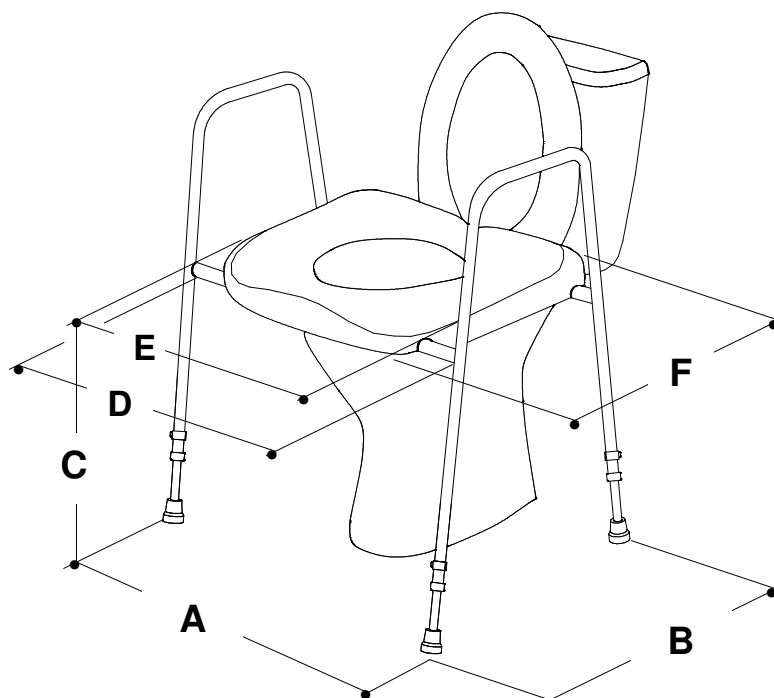
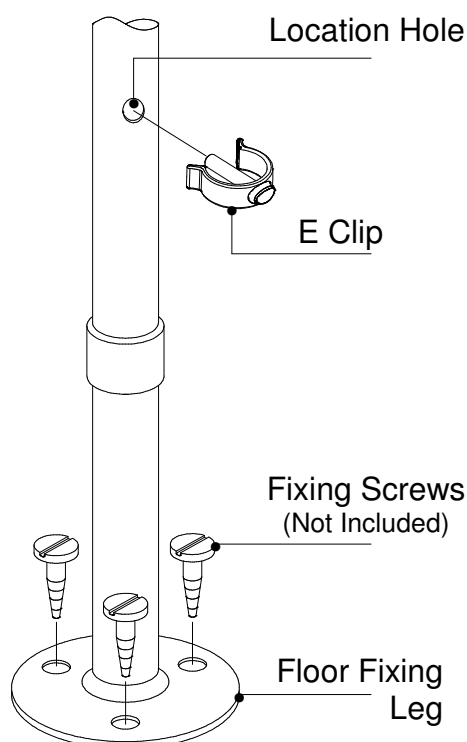
1. Remove the moulded seat from its polythene bag and snap into place on the cross members of the frame.
2. Ensure the seat is firmly in place and secure at both back and front.
3. Adjust to the required height by removing each 'E' clip in turn.
4. Slide each leg up or down to the required height. Align the holes in and replace 'E' clip.
5. The back legs can be set at a slightly higher position than the front to help with ease of transfer. (Height difference should not be more than 2 holes)
6. Ensure that the two front legs are set at the same height and the two back legs at the same height position in order to prevent rocking.
7. Mowbray Width Adjustable only. (M11089). To adjust the width, remove 'E' clip either side of the seat and slide tubes to obtain the desired width (ensuring equivalent holes are used on each side of the seat so that the frame remains square. Replace 'E' clips.
8. Place the Mowbray over the toilet with the cutaway of the seat at the front and the integral splash guard placed centrally over the toilet bowl.
9. When not in use Mowbray's can be stacked with the seat in situ. It is recommended that no more than five frames are stacked together for long term storage



Fitting Instructions; Floor Fixed Versions & Floor Fixing Kit

1. Adjust frame to desired height.
2. A total of 12 screws must be used to fix the frame to the floor, using fixing methods appropriate to the floor's construction.

Please Note: Height adjustment is not possible once the legs are secured to the floor



A – Width (Overall):	520mm (20½")
B – Depth	
Max. Leg Extension:	565mm (22")
Min. Leg Extension:	515mm (20")
C – Height	
Max. Leg Extension:	550mm (21½")
Min. Leg Extension:	400mm (15¾")
D – Width inside arms:	450mm (17¾")
E – Seat Width:	406mm (16")
F – Seat Depth:	450mm (17¾")

NOTE: M11089 Mowbray Width Adjust Version
Dimensions are as above, except:

A – Width (Overall)	570 (22½") min, 720mm (28¼") max
D – Width inside arms:	510 (20") min, 660mm (26") max

Spares & Accessories	
F11572	Floor Fixing Kit (Set of 4)
F17938	Ferrule
G30615	Standard Seat

Manufactured for
Nottingham Rehab Supplies
Clinitron House, Excelsior Road,
Ashby Park, Ashby de la Zouch,
Leicestershire, LE65 1JG
United Kingdom

Tel: 0845 120 4522
Int'l: +44 (0) 1530 418378
Fax: 0845 121 8112
Email: customerservice@nrs-uk.co.uk

This product is from a range of over 3000 daily living aids available from Nottingham Rehab Supplies. To view the full range visit www.nrs-uk.co.uk or request a catalogue from the above number.

Care and Use

1. The seat may be removed from the frame and autoclaved on cycles up to 70°C.
2. The frame may be cleaned using a non-abrasive cream cleaner or detergent solution.
3. Check the ferrules on the freestanding versions monthly for signs of wear.
4. Check floor fixing screws weekly.
5. Check E clips every 2 months.
6. Maximum user weight is 190kg (30st).



www.nrs-uk.co.uk