

USER INSTRUCTIONS

MOWBRAY LITE TOILET FRAME AND SEAT RANGE

M66613	Flat Pack - Adjustable Width	M66625	Standard - Fixed Width Assembled
M92740	510mm - Fixed Width Assembled	N36974	Adjustable Width Assembled

⚠ General Safety Warning ⚠

Please make sure that you read and follow these instructions carefully. Failure to do so can result in injury. Keep these instructions in a safe place for future reference.

1. INTENDED USE

The Mowbray Lite toilet frame and seat range is designed to assist those who have difficulty in lowering onto or rising from a standard toilet. The plastic moulded seat offers support in a natural position and the frame is height and width* adjustable.

(*Only available with M66613 – Mowbray Lite Flat Pack)



2. SAFETY

Read these instructions before installation and use.

This product must be correctly assembled, installed, and maintained.

Do not exceed the maximum User Weight.

3. UNPACKING

Check product carefully before installation/use. If you see, or suspect a fault, do not use, contact your supplier immediately.

Note: M66625, M92740 & N36974 are delivered ready assembled.

M66613 is supplied flat packed

Maximum User Weight



4. CONTENTS (M66613 ONLY):

1. Toilet seat x 1
2. Frame Side LH x 1
3. Frame Side RH x 1
4. Frame Centre Bar x 2
5. Leg Assembly x 4
6. E-clips x 8

5. ASSEMBLY

5.1 M66613 - Mowbray Lite Flat Pack:

Assemble the frame sides to the centre bars, set to the correct width, align the holes and secure with the four e-clips provided

5.2 N36974 - Mowbray Lite Adjustable Width Assembled:

The frame comes ready assembled. To set to the width, remove e-clips and slide the frame side tubes in the frame centre bars until the desired width is achieved, align the holes and secure using the four e-clips provided.

5.3 All Models:

1. Remove the moulded seat from its protective bag and snap into place on the centre bars of the frame, ensure the seat is firmly in place and secure at both back and front.
2. Adjust to the required height by removing each 'E' clip in turn and slide each leg up or down to the required height. Align the holes in and replace 'E' clip. (See diagram overleaf)
3. Ensure that all leg extensions are set at the same height to prevent rocking.

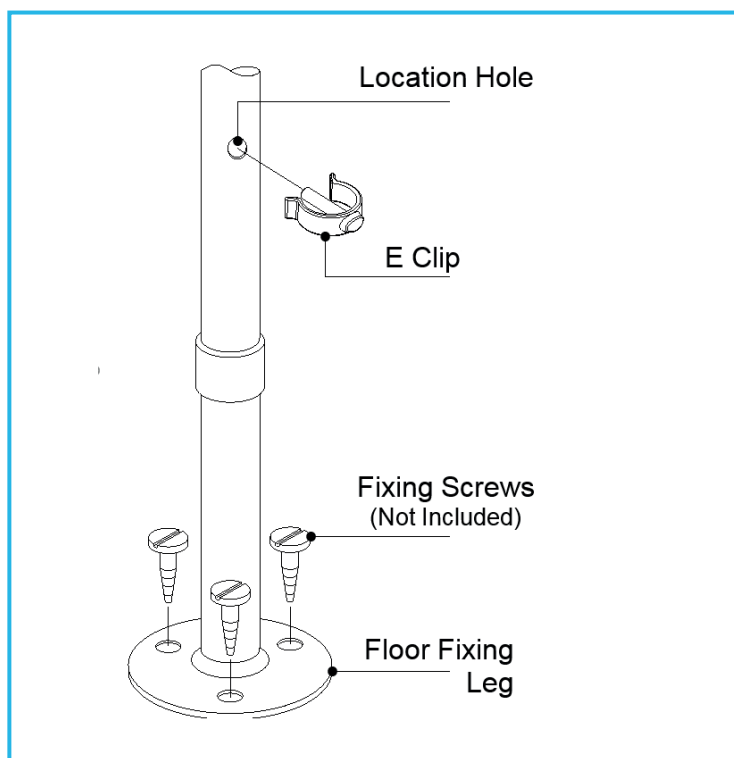
- Place the Mowbray over the toilet with the cutaway of the seat at the front and the integral splash guard placed centrally over the toilet bowl.
- When not in use Mowbray's can be stacked with the seat in situ. It is recommended that no more than five frames are stacked together for long term storage.

6. FITTING INSTRUCTIONS - FLOOR FIXING KIT

Note: If a permanent fix is required a Floor Fixing Kit is available as an accessory – see spares & accessories table.

- Remove existing legs by removing the securing e-clips and sliding out of the frame.
- Replace with the floor fixing legs
- Adjust to the required height and secure with the e-clips.
- Fix the legs to the floor with twelve screws (Not provided) using fixing methods appropriate to the floor's construction. - see diagram below

Note: Height adjustment is not possible once the legs are secured to the floor



7. CLEANING AND MAINTENANCE

- The seat may be removed from the frame and autoclaved on cycles up to 70°C.
- The frame may be cleaned using a non-abrasive cream cleaner or detergent solution.
- Check the ferrules on the free-standing versions monthly for signs of wear.
- Check floor fixing screws weekly.
- Check E clips every 2 months.
- Maximum user weight is 190kg (30st).

8. ACCESSORIES & SPARE PARTS

F11572 - Floor Fixing Kit (Set of 4)

F17938 - Ferrule

M66820 - Seat

For more details please visit our website:

www.healthcarepro.co.uk or call Customer Services.

9. PRODUCT DISPOSAL

This product should be thoroughly cleaned prior to disposal.

This product is manufactured from metal and plastic and can be disposed of through Local Authority Household Waste and Recycling Centres or through Local Trade Waste Collectors.

10. PRODUCT GUARANTEE

NRS Healthcare guarantee this product for a period of 12 months, from the date of purchase, against faulty materials and workmanship.

This guarantee does not cover; abuse, misuse, interference or tampering with any part of the product.

Any guarantee issued by NRS Healthcare does not affect your statutory rights.

NRS HEALTHCARE Sherwood House, Cartwright Way, Forest Business Park
Bardon Hill, Coalville, Leicestershire, LE67 1UB, UK.

Tel: Customer Services: 0345 121 8111

Email: customerservice@nrshealthcare.co.uk

NRS Healthcare is a leading supplier of community equipment and daily living aids.
Please visit one of our websites to view our full range of products:
www.healthcarepro.co.uk or www.completecareshop.co.uk