

## Standard Bed Stick Mk2

Description	Product Code
Standard Bed Stick Mk2	S22479



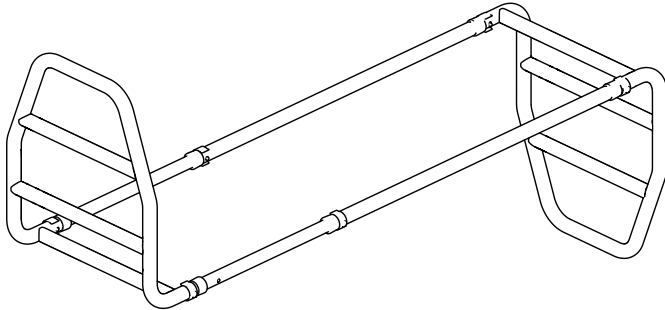
### Features and Benefits

- Lightweight but sturdy design for ease of use
- Adjustable for beds of different size
- Reversible ends for convenience
- Simple assembly, with no tools needed
- Powder-coated metal for durability and easy cleaning

## Standard Bed Stick Mk2

### Product Description

A sturdy but lightweight bed stick to help users transfer in and out of bed or move from a lying to sitting position, or simply to help reposition themselves in bed. Simple E-clip adjustments allow it to fit all divan bed sizes from single to king size.

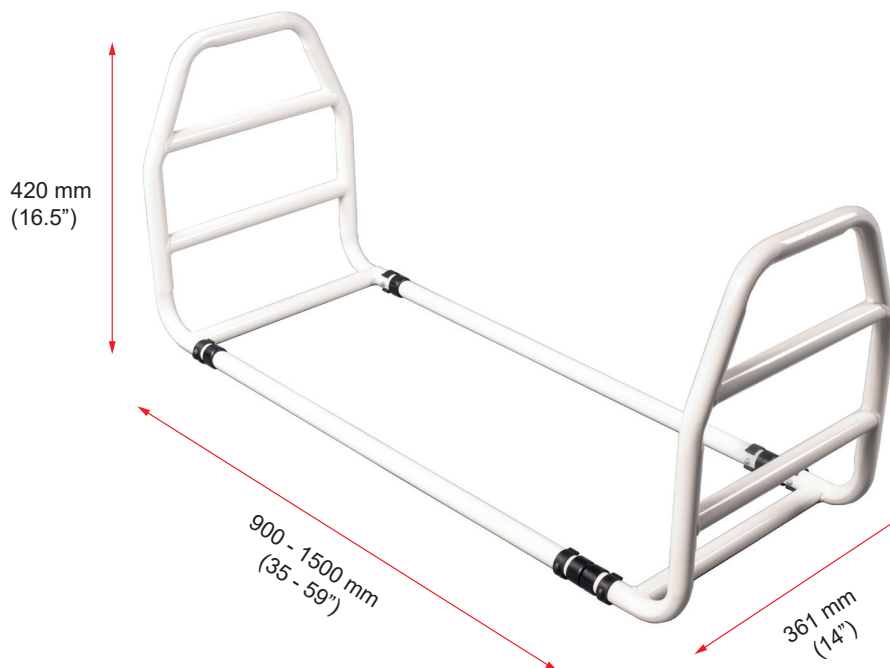


You may also assemble the bed stick with one end reversed for convenience. For example, if one side of the bed is against a wall.

**Note:** We recommend that a healthcare professional assesses a user before they buy and use this product.

### Product Technical Details

- White powder-coated metal construction.
- Adjustable width for single (900 mm) to king size (1500 mm) divan beds.
- Not suitable for profiling or medical beds.
- Maximum User Weight 190 kg (30 st).
- For users taller than 1.46 m.



### Replaces

- M54234 Standard Bed Stick

### Spares

- S33581 Standard Bed Stick Mk2 Spare kit 6 x E-clips

### Standard Features

- NRS guarantee - refer to the Terms and Conditions on our website
- Designed and developed in the UK