

Other products in the NRS Healthcare range you may find useful when using this product:

L35324: Dycem Non-Slip Mat



The Adjustable Curved Over Bed/Chair Table and Dycem Non-Slip Mats are from a range of over 3000 daily living aids available from NRS Healthcare. To view the full range please visit our website:

www.nrs-uk.co.uk. Or request a catalogue from the number below

IMPORTANT

For information on how to obtain the User Instructions in other languages and formats for use by people with visual, reading or cognitive impairments, please contact:

info@nrs-uk.co.uk or telephone 0845 120 4522.

Additional copies of this user instruction are available on our website:

www.nrs-uk.co.uk.

NRS Healthcare

Sherwood House, Cartwright Way
Forest Business Park, Bardon Hill
Coalville, Leicestershire. LE67 1UB UK

Tel: 0845 120 4522 Fax: 0845 121 8112

Email: customerservice@nrs-uk.co.uk

www.nrs-uk.co.uk

User Instructions

M99394

Adjustable Curved Over Bed/Chair Table

General Safety Warning

Please ensure these instructions are fully read and implemented. Failure to do so may result in injury to the user. Retain in a safe place for future reference.



Intended Use

This stylish and versatile table can be used either over chairs or single beds. It has four lockable castors which makes manoeuvring and positioning the table very easy. It is height and width adjustable.

Height:
700mm (27½") to 900mm (35½")

Width:
900mm (35½") to 1100mm (43¼").

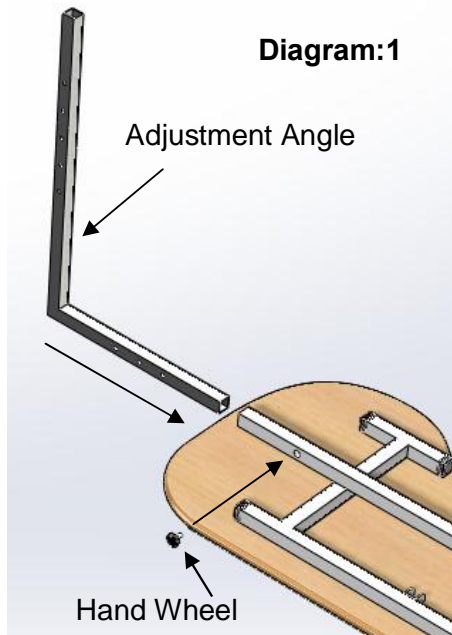
Unpacking

- This product is supplied flat packed and requires assembly before use.
- No tools are required.
- Remove the product from its packaging; Check for damage. If you see any, or suspect a fault, do not assemble the product; contact your supplier immediately.
- Check all parts are present - see contents list overleaf

Contents	
Description	Qty
Table Top Assembly	1
Adjustment Angle	2
Hand wheel (Locking Screw)	4
Leg Assembly	2

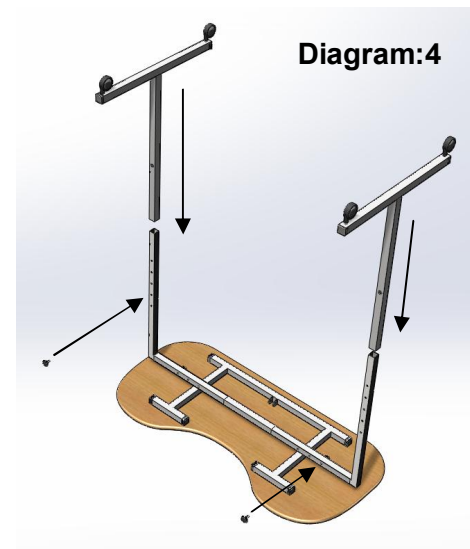
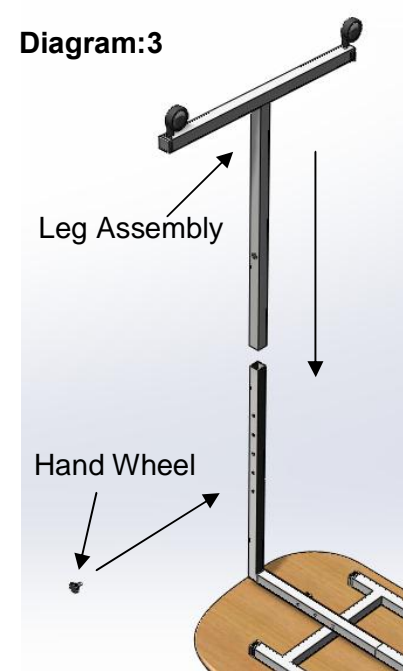
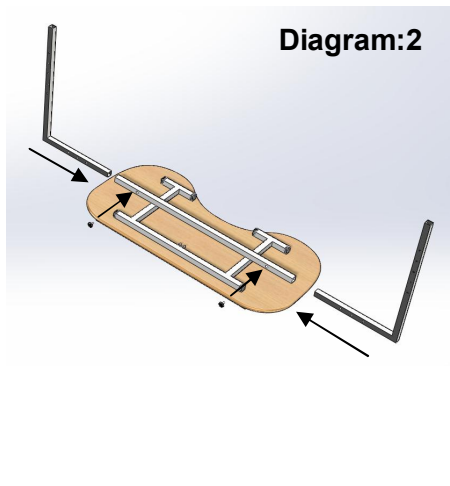
Safety Precautions

- Do not overload the table top - Max 15kg when.
- Do not use the table to transport objects
- It is advised to lock the castors before using the table.



Assembly Instructions

1. Place the table top assembly on the floor, face down - see diagram 1
2. Slide the shorter leg of the adjustment angle into the table top centre bar, to the required width, align the holes in the two parts and secure with hand wheel - see diagram 1
3. Repeat step two for the other side see diagram 2
4. Fit the leg assembly onto the Adjustment Angle, slide to the correct height. Align the holes and secure with hand wheel - see diagram 3
5. Repeat step four, for the other leg, see diagram 4



Product Care: Cleaning

- Clean regularly, wiping down with a soft cloth and a mild detergent/disinfectant solution
- Do not use abrasive cleaners

Product Care: Maintenance

- Inspect on a regular basis the stability and rigidity of the product, check all screws are tightened and in good condition