

M48805 – Mowbray Frame & Seat Extra Wide

M48817 – Mowbray Frame & Seat Extra Wide – Floor Fixed

Maximum User Weight:



General Safety Warning

Please ensure these instructions are fully read and understood before installation/ use. Retain these instructions in a safe place for future reference.

Intended Purpose

The Mowbray toilet frame and seat is designed to assist those who have difficulty in lowering onto or rising from a standard toilet. The plastic moulded seat offers support in a natural position and the frame is height adjustable.

Fitting Instructions

The free standing versions of the Mowbray are delivered ready assembled.

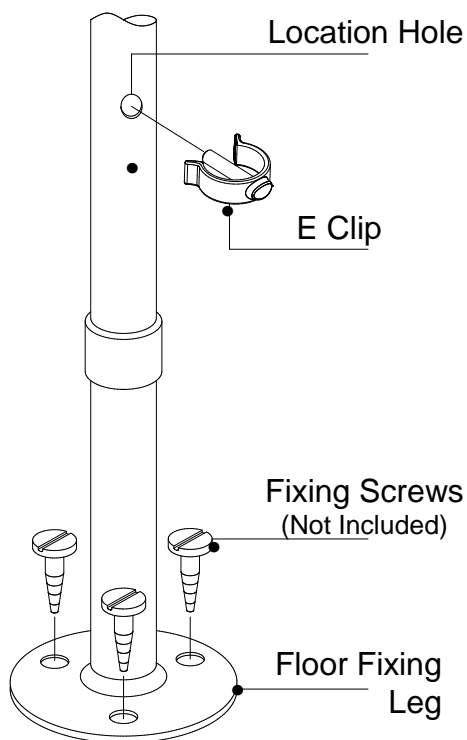
1. Remove the moulded seat from its polythene bag and snap into place on the cross members of the frame.
2. Ensure the seat is firmly in place and secure at both back and front.
3. Adjust to the required height by removing each 'E' clip in turn.
4. Slide each leg up or down to the required height. Align the holes in and replace 'E' clip.
5. Ensure the all legs are set at the same height to prevent rocking.
6. Place the Mowbray over the toilet with the cutaway of the seat at the front and the integral splash guard placed centrally over the toilet bowl.



Fitting Instructions; Floor Fixed Versions and Floor Fixing Kit

1. Adjust frame to desired height.
2. A total of 12 screws must be used to fix the frame to the floor, using fixing methods appropriate to the floor's construction.

Please Note: Height adjustment is not possible once the legs are secured to the floor



Care and Use

1. The seat may be removed from the frame and autoclaved on cycles up to 70°C.
2. The frame may be cleaned using a non-abrasive cream cleaner or detergent solution.
3. Check the ferrules on the freestanding versions monthly for signs of wear.
4. Check floor fixing screws weekly.
5. Check E clips every 2 months.
6. Maximum user weight is 254kg (40st).

Spares & Accessories	
F11572	Floor Fixing Kit (Set of 4)
F17938	Ferrule
M59759	Mowbray Extra Wide Seat

Product Guarantee

NRS Healthcare, guarantee this product for a period of 12 months from the date of purchase against faulty materials and workmanship. This guarantee does not cover, abuse, misuse, interference or tampering with any part of the product.

Any guarantee issued by NRS Healthcare does not affect your statutory rights.

IMPORTANT

For information on how to obtain the User Instructions in other languages and formats for use by people with visual, reading or cognitive impairments, please contact our customer services department.

NRS Healthcare

Sherwood House,
Cartwright Way,
Forest Business Park,
Bardon Hill,
Coalville,
Leicestershire.
LE67 1UB
United Kingdom

Tel. Main Office: 0330 100 00 98

Tel. Customer Services: 0845 120 4522

Email: customerservice@nrshealthcare.co.uk

These products are from a range of over 3000 daily living aids available from NRS Healthcare. To view the full range, visit our website.



NRS Healthcare is a Leading Supplier of Community Equipment and Daily Living Aids, to view our full range, visit our website:
www.nrshealthcare.co.uk