

M76333

With Straps

M76321

Without Straps

⚠ General Safety Warning ⚠

Please make sure that you read and follow these instructions carefully. Keep these instructions in a safe place for future reference.

1. INTENDED USE

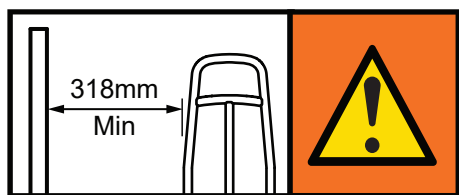
The EasyFit Bed Rail provides stable support to aid adult users (taller than 1.46m) transfer in and out of bed, moving from a lying to a sitting position as well as assist user repositioning.

M76333: Designed for use with domestic divan beds and framed beds.

M76321: Designed for use with framed beds only. We do not recommend for use with divan beds.



2. SAFETY



WARNING: To avoid possible entrapment, you must always position the product a minimum of 318mm from the headboard or footboard.

WARNING: To avoid possible entrapment, you must always position the product a minimum of 318mm from solid objects/furniture such as bedside drawers or cabinets.

WARNING: The maximum user weight must not be more than 190Kg (30st).

YOU MUST carry out a risk assessment to assess the use and suitability of the bed rail in relation to the users physical and cognitive ability, as well as the surrounding environment.

DO NOT install this product to a damaged bed.

Maximum User Weight



MAKE SURE there is no gap between the bed rail and the mattress.

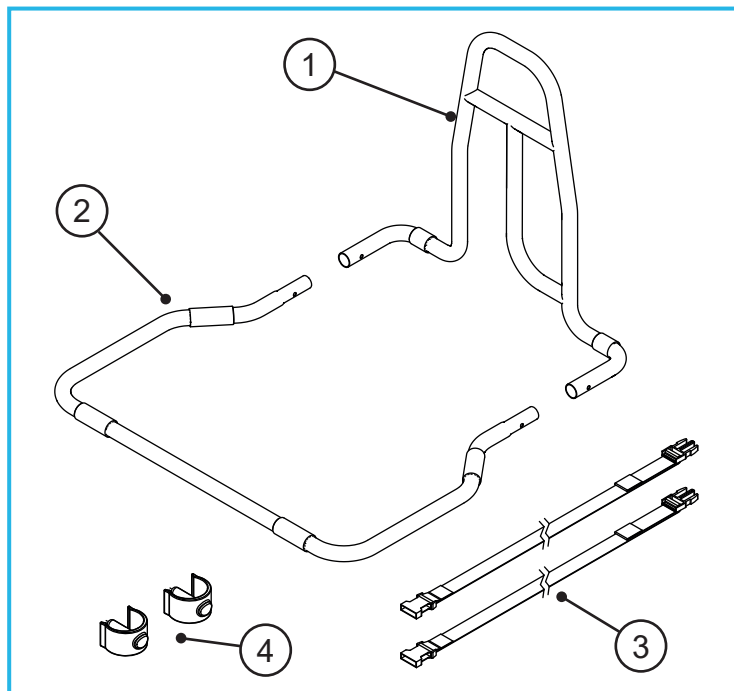
ALWAYS use the bed securing straps provided when fitting to a divan bed (M76333 only).

REGULARLY check the straps are tight and the device is stable and firmly fitted (M76333 only).

DO NOT fit this product to profiling or medical beds.

3. UNPACKING

Remove the packaging and check all parts carefully. Contact your supplier immediately if parts are missing or damaged and do not try and assemble.

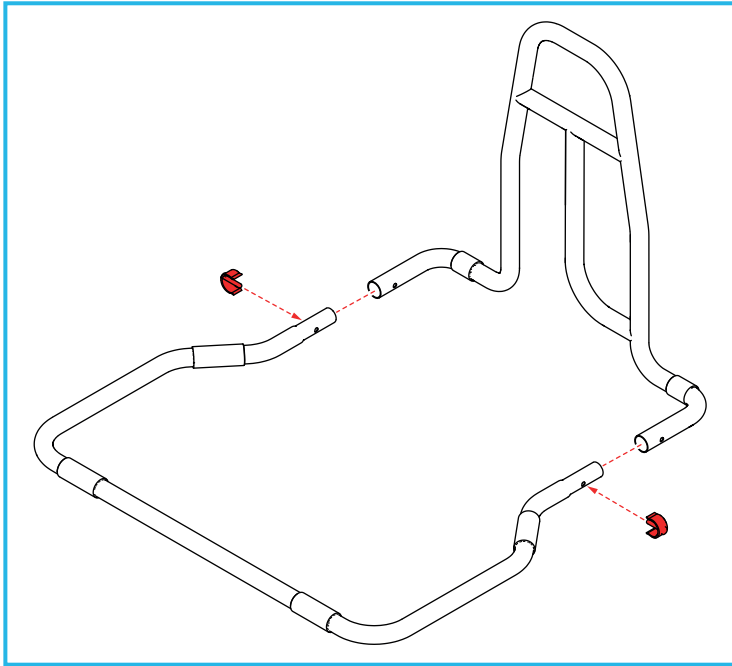


3.1 Contents

1. Bed Rail Handle x 1
2. Bed Rail Base x 1
3. E-clips x 2
4. Straps (M76333 only) x 2

4. ASSEMBLY

4.1 Assemble the Bed Rail



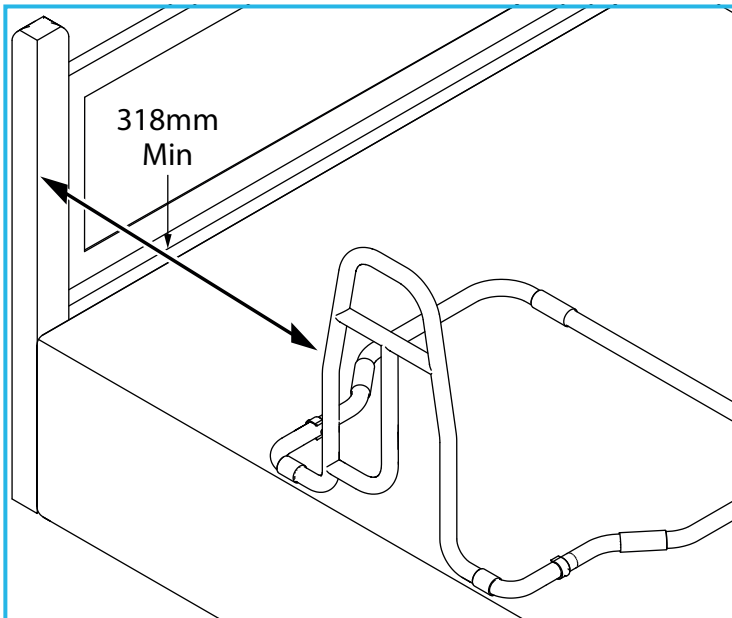
Slot the hand rail assembly onto the base assembly and secure with the two e-clips.

5. INSTALLATION

5.1 Fitting to a Divan Bed (M76333)

WARNING: We only recommend fitting the bed rail with straps (M76333) to a divan bed. An unsecured bedrail could move causing risk of entrapment.

5.1.1 Position the Bed Rail

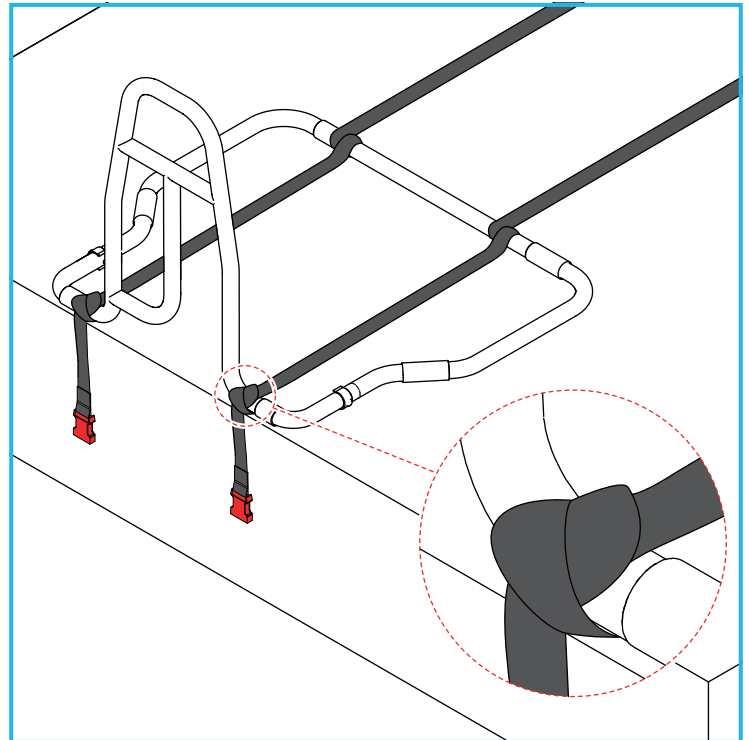


1. Remove the mattress and place the bed rail onto the base of the bed.
2. Position the bed rail so the user can reach the handle from a relaxed lying position without having to stretch.

WARNING: To avoid possible entrapment, you must always position the product a minimum of 318mm from the headboard or footboard.

WARNING: To avoid possible entrapment, you must always position the product a minimum of 318mm from solid objects/furniture such as bedside drawers or cabinets.

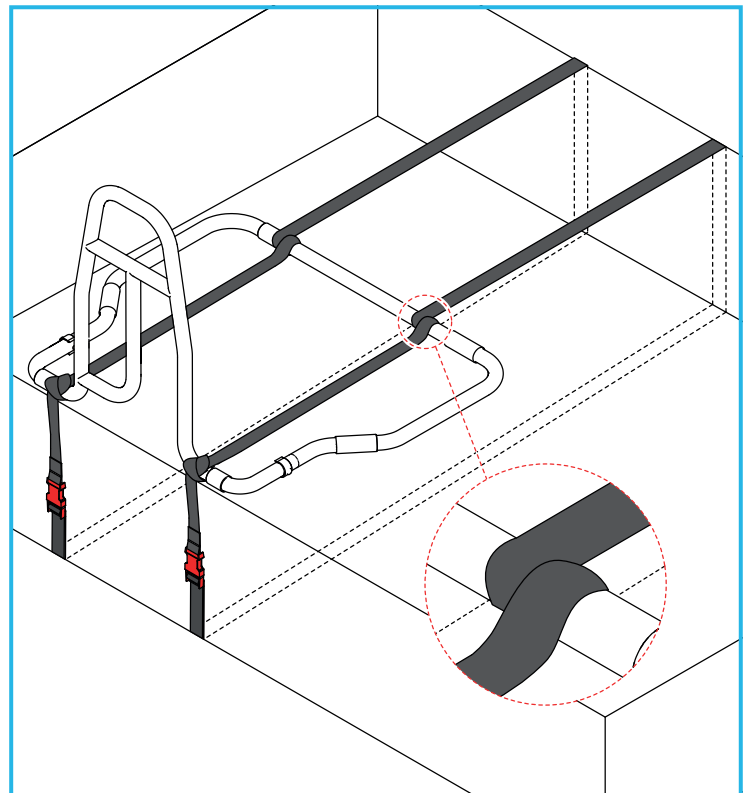
5.1.2 Fitting the Straps



With the first strap, tie a secure knot on the hand rail assembly in the position shown, then repeat for the opposite site with the second strap.

Note: The strap buckle should hang down the side of the bed between 50 to 75mm.

5.1.3 Securing the Straps



1. Loop the first strap around the bed rail base in the position shown.

2. Feed the strap over the top of the bed and back underneath the base.

Note: To fit the strap under the divan base, take the strap to the end of the divan base, lift up the end of the divan base and feed the strap underneath the legs / castors.

3. Clip the two strap buckles together.
4. Pull down on the loose end of the strap to tighten.
5. Make sure the bed rail base is tight against the divan base.

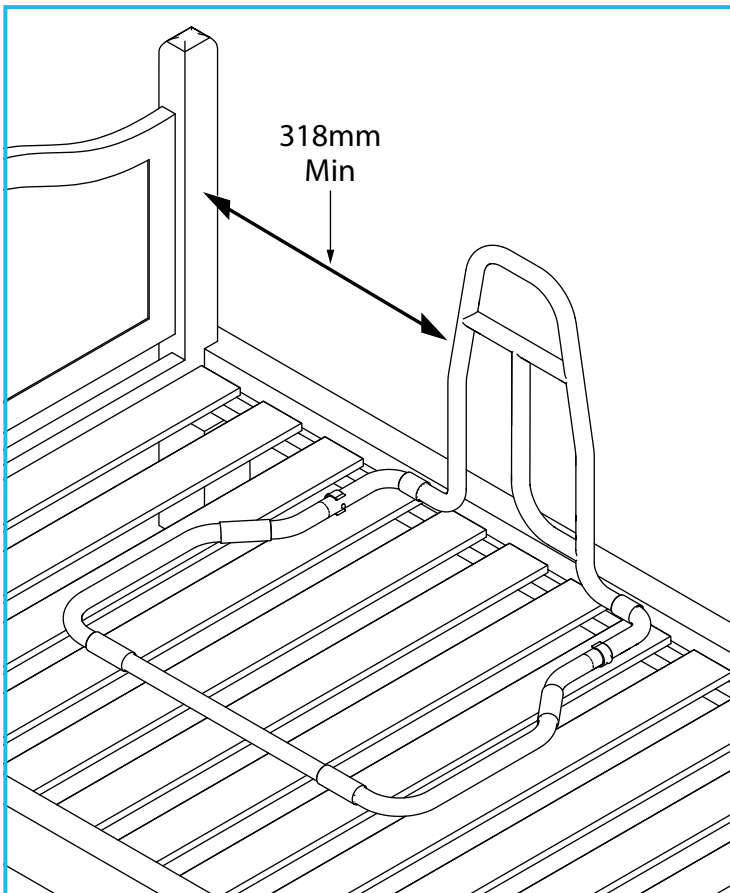
Note: To avoid tripping hazards, make sure you tuck away any loose strap ends.

6. Repeat for the second strap on the opposite side of the bed rail.
7. The bed rail should now be fully secured to the divan base.

5.2 Fitting to a Framed Bed with Fixed Slats

Note: Either model of bedrail (M76333 or M76321) may be used.

5.2.1 Position the Bed Rail



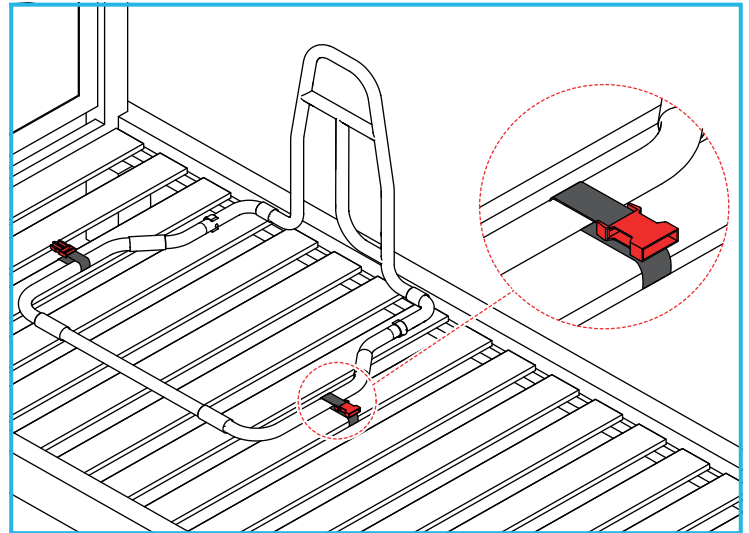
1. Remove the mattress and place the bed rail onto the base of the bed.
2. Position the bed rail so the user can reach the handle from a relaxed lying position without having to stretch.

WARNING: To avoid possible entrapment, you must always position the product a minimum of 318mm from the headboard or footboard.

WARNING: To avoid possible entrapment, you must always position the product a minimum of 318mm from solid objects/furniture such as bedside drawers or cabinets.

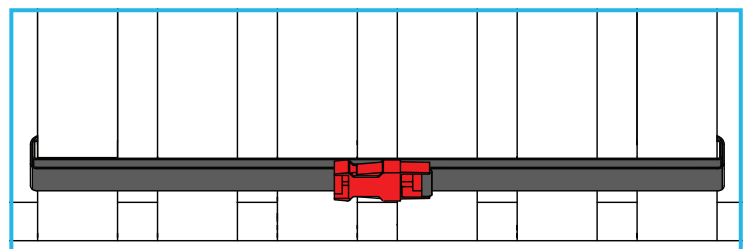
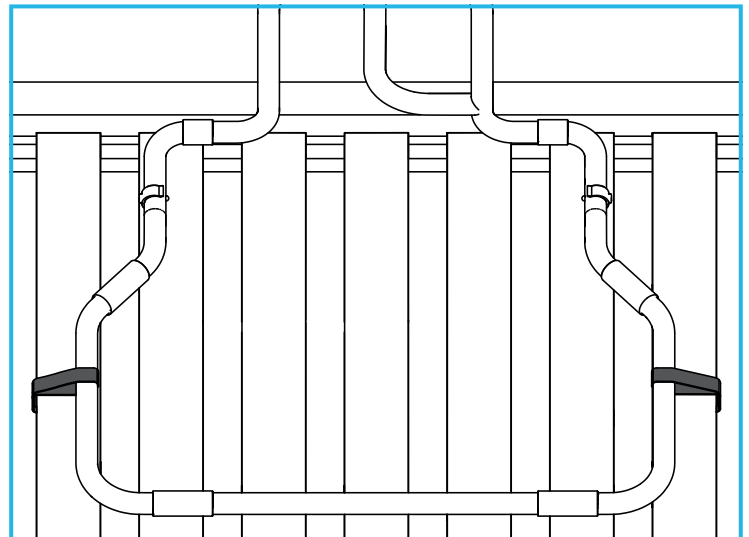
5.2.2 Fitting with Straps

Note: If the bedrail is supplied with straps (M76333), and if the bed has securely fixed slats, we strongly recommend securing the bedrail with the straps provided using the method below:



1. Thread one end of the strap from under the bed up around the bed slat, then thread around the bed rail base as shown.
2. Repeat the step using the other end of the strap on the opposite side of the bed rail base.

5.2.3 Securing the Straps



Underside of the Bed

1. Pull both buckles so they meet in the middle on the underside of the bed, then clip together.

2. Pull down on the loose end of the strap to tighten.

Note: To avoid tripping hazards, make sure you tuck away any loose strap ends.

3. Make sure the bed rail is fully secure before replacing the mattress.

5.3 Fitting to a Framed Bed with Non-Fixed Slats (M76321 & M76333)

Note: Straps cannot be used on a bed with non-fixed slats.

Repeat the steps in section 5.2, but do not use straps.

6. CLEANING INSTRUCTIONS.

6.1 Cleaning the Hand Rail & Base

Please check the suitability of the cleaning products before use. Do not use solvents, abrasive cleaners or cloths as these could permanently damage the surface and invalidate any warranty.

Clean the frame regularly, using a general purpose, neutral detergent and warm water.

To disinfect, wipe with a dilute bleach solution, and rinse thoroughly with fresh water.

Allow product to fully dry prior to use/storage.

6.2 Cleaning the Straps

Clean with sponge and warm soapy water, then rinse thoroughly with fresh water.

Allow product to fully dry before use/storage.

Do not use bleach or solvents.

7. Maintenance

Note: The following checks should be carried out on a daily basis.

Check that all E-clips are fully inserted and that there is no excessive movement.

Check that straps are tight and the bed rail is correctly positioned (minimum of 318mm from the headboard, footboard or solid objects/furniture).

Make sure there is no gap between the bed rail and the mattress.

Inspect the product regularly for signs of wear or damage.

Any suspected faults or damage should be reported to the supplier immediately and the product taken out of use.

8. ACCESSORIES & SPARE PARTS

L75930: Bed Rail Strap

M84780: Slip Resistant Netting (white)

For more details please visit our website:

www.healthcarepro.co.uk or call Customer Services.

9. PRODUCT DISPOSAL

This product must be thoroughly cleaned/sterilised prior to disposal.

This product is manufactured from metal, plastic and fabric, and can be disposed of through Local Authority Household Waste and Recycling Centres or through Local Trade Waste Collectors.

10. PRODUCT GUARANTEE

NRS Healthcare guarantee this product for a period of 12 months, from the date of purchase, against faulty materials and workmanship.

This guarantee does not cover; fair wear & tear, abuse, misuse, interference or tampering with any part of the product.

Any guarantee issued by NRS Healthcare does not affect your statutory rights.

If you have any problems with our products, please contact us at the address below.

If you have experienced an injury, contact us but feel free to contact the Medical and Healthcare products Regulatory Agency at:

devices.regulatory@mhra.gov.uk

UK CA NRS HEALTHCARE Sherwood House,
Cartwright Way, Forest Business Park, Bardon
Hill, Coalville, Leicestershire, LE67 1UB, UK.

CE NRS HEALTHCARE 4C Altona Road, Blaris
Industrial Estate, Lisburn, Co Antrim,
Northern Ireland BT27 5QB

Tel: Customer Services: 0345 121 8111

Email: customerservice@nrshealthcare.co.uk

NRS Healthcare is a leading supplier of community equipment and daily living aids.

Please visit one of our websites to view our full range of products:

www.healthcarepro.co.uk or www.completecareshop.co.uk