

If you use this product, you may also find the other products in our range of bathroom grab rails useful.



**Spa Soap Dish**  
with Integrated Grab Rail.  
Code: M66388



**Spa Corner Shelf**  
with Integrated Grab Rail.  
Code: M66376



**Spa Toilet Roll Holder**  
with Integrated Grab Rail.  
Code: M66399

Additional copies of this user instruction, together with details of our wide range of aids for daily living, are available on our website: [www.nrshealthcare.co.uk](http://www.nrshealthcare.co.uk)

**NRS Healthcare**, Sherwood House, Cartwright Way,  
Forest Business Park, Bardon Hill, Coalville,  
Leicestershire, LE67 1UB, United Kingdom.  
Tel: Head Office: 0330 100 0098  
Tel: Customer Services: 0345 121 8111  
Email: [customerservice@nrshealthcare.co.uk](mailto:customerservice@nrshealthcare.co.uk)  
**[www.nrshealthcare.co.uk](http://www.nrshealthcare.co.uk)**

# User Instructions



## Spa Towel Rail with Integrated Grab Rail

Code: M66406 – 410mm (16")  
Code: M66569 – 610mm (24")

### General Safety Warning

Please ensure these instructions are fully read and implemented. Failure to do so may result in injury to the user. Retain in a safe place for future reference.

### Intended Use

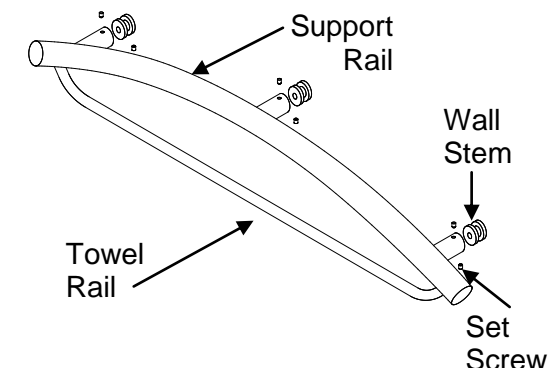
This stylish Towel Rail with discreet Integrated Grab rail has been designed to compliment fittings in a contemporary bathroom and provide a sturdy grab rail to support and provide extra safety for the user, it can be used on its own or part of a group of products which combine and compliment each other to provide a safer environment for the user. Details of the other products in the range are shown on the last page of this leaflet



### Unpacking

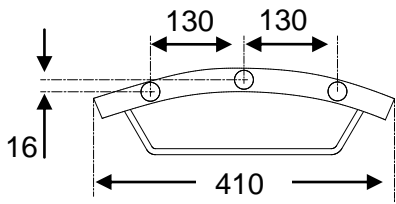
Remove the product from its packaging; Check for damage. If you see any, or suspect a fault, do not assemble the product; contact your supplier immediately.

Contents	
Description	Qty
Rail - c/w Wall stems, Self Adhesive washers & Set Screws	1
Screw (Suitable for solid walls only)	3
Wall Plug (Suitable for solid walls only)	3
Hex Key	1
Installation Instructions	1

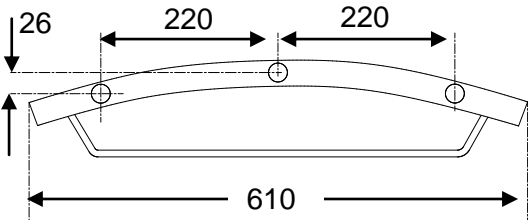


DIAG: 1

**Diag:2** M66406 - 410mm (16")



M66569 - 610mm (24")



### Safety Precautions

- This Towel Rail with Integrated Grab Rail must be correctly assembled, installed, and maintained.
- If installing the towel rail in a showering or bathing area it may need to be earthed to conform with IEE Wiring regulations for metallic components within bathrooms. Consult a suitably qualified person prior to installation
- Support rails can be slippery when wet – use this product with caution.
- It is recommended that this product is installed by a suitably qualified, competent person.
- Only install the product in an area where the mounting surface is structurally sound. (Strengthening modifications to the fixing surface may be required.)

- This product must be secured to the wall using fasteners which are appropriate to the structural base material.
- The maximum Load of this product is 160kg (25st) based on the product being fitted to a suitable surface using appropriate fixings and fitted by a competent person.
- The smaller under rail is not a weight bearing surface.
- Waterproofing is recommended and all fixings used should be none rusting. It is recommended that sealant is applied around the wall contact points. If not properly sealed, there is the potential for water ingress. This may cause the wood to rot, compromising the structure and safety of the support rail

### Installation General:

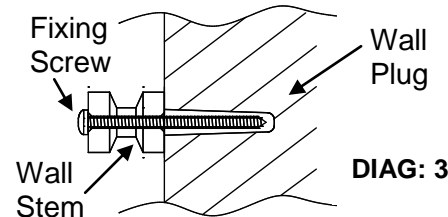
This product requires tools for installation. A Hex Key is supplied for the set screws.

The product is also supplied with fixings suitable for solid walls only. It is important the product is secured to the wall using fasteners appropriate to the structural base material.

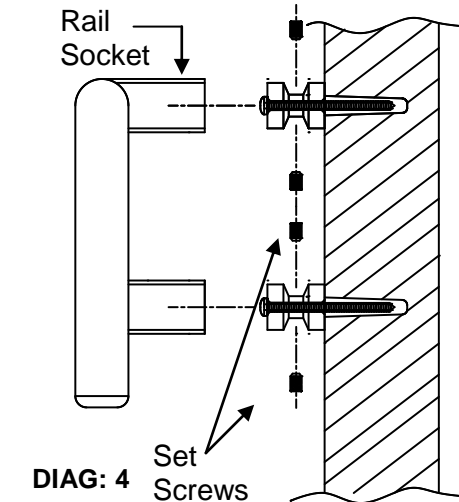
Before installation; consider the best place to position the rail, taking into account all activities it may be used for, e.g. sitting, standing, reaching. Also consider the structure behind the wall surface, avoid any electrical/plumbing behind the wall and, where possible, drill through a tile rather than grout.

### Installation Instructions:

- 1 - Position the rail in the proposed area and mark accurately it's position, ensuring it is level.
- 2 - Peel off the backing on the self adhesive washers attached to the wall stems (3 places)
- 3 - Push the rail firmly against the wall.
- 4 - Using the supplied hex-key, loosen all set screws in the rail sockets so the rail can be removed, leaving the three wall stems attached to the wall
- 5 - Mark the positions through the centre of the wall stems, remove the stems and drill three holes to the correct size.
- 6 - Fit the wall plugs and fix the wall stems to the wall using appropriate fasteners and seal with suitable water proofing

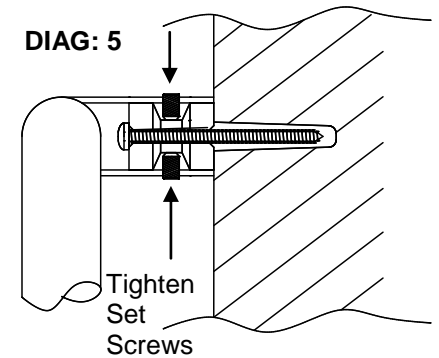


**DIAG: 3**



**DIAG: 4**

- 7 - Place the rail back onto the wall stems. See diag. 4
- 8 - Secure rail by tightening the set screws. See Diag 5
- 9 - The rail will pull into the stems as the set screws are tightened.
- 10 - The rail will fit best if placed as straight as possible over the wall stems. If the rail sockets do not easily fit onto the wall stems there is some movement possible with the oversized hole in the wall stems, the stems can be adjusted to accommodate the rail sockets.



**DIAG: 5**

- 11 - IMPORTANT NOTE: Perform a final tighten and inspection of all fasteners.
- 12 - Test the installation by vigorously pulling on the support rail. The rail should be rigid and stable.

### Care & Maintenance

Inspect on a regular basis the stability and rigidity of the product, check all screws are tightened and in good condition

### Cleaning

- Clean regularly, wiping down with a soft cloth and a mild detergent/disinfectant solution
- Do not use abrasive cleaners