

USER INSTRUCTIONS

SEAHORSE PLUS

N72012	Seahorse Plus Small (100 mm Castor)	N72024	Seahorse Plus Medium (100 mm Castor)
N72036	Seahorse Plus Large (100 mm Castor)		

⚠ General Safety Warning ⚠

Please make sure that you read and follow these instructions carefully. Failure to do so can result in injury. Keep these instructions in a safe place for future reference.

1. INTENDED USE

To assist with toileting and showering for children and young adults. It can also be used to manoeuvre the user within a bathing environment. However it is not designed for general transport purposes, and is not designed for outdoor use.



Seahorse Plus (Medium)

2. SAFETY

WARNING: Do not exceed the Maximum User Weight identified above.

We strongly recommend that an assessment is carried out by a qualified healthcare professional (e.g. an Occupational Therapist) before purchasing / using the chair.

Subject to this assessment:

- The Seahorse Plus is suitable for users who are ambulant and non-ambulant, and can be used with a suitable hoist.

Maximum User Weight



Small



Medium



Large

- The Seahorse Plus is suitable for users who require moderate postural support.
- The Seahorse Plus is suitable for users who have moderate to severe cognitive impairment, provided these users are fully supervised during use.

WARNING: Do not store the Seahorse for extended periods where it is exposed to strong sunlight – this could cause discolouration or degradation of the materials

3. PRODUCT INFORMATION

3.1 Features

- Gas assisted tilt-in-space to allow safe and easy tilting of the seat whilst occupied.
- Height and depth adjustable swivel headrest.
- Optional soft foam liners available in two sizes for each chair model.
- Padded lap-strap.
- Removable Armrests.
- Detachable soft splash guard / pommel to minimise hip adduction.
- Independently height adjustable, lockable flip-up footrests complete with foot-straps.
- Large independently braked non-marking castors.
- Height adjustable frame.
- Large capacity commode pan.

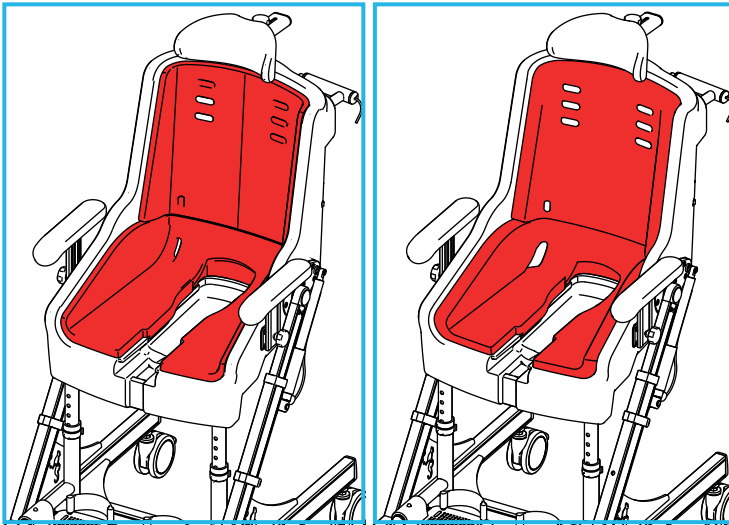
The Seahorse Plus requires some minor assembly of the following parts:

Standard Parts	Optional Accessories
Footrests	Seat Liners
Foot-straps	Anterior Support
Lap-strap	Chest Harness
Headrest	Butterfly Harness
Armrests	
Pommel	

Refer to Section 4 for detailed assembly instructions.

3.2 Accessories

Seat Liners

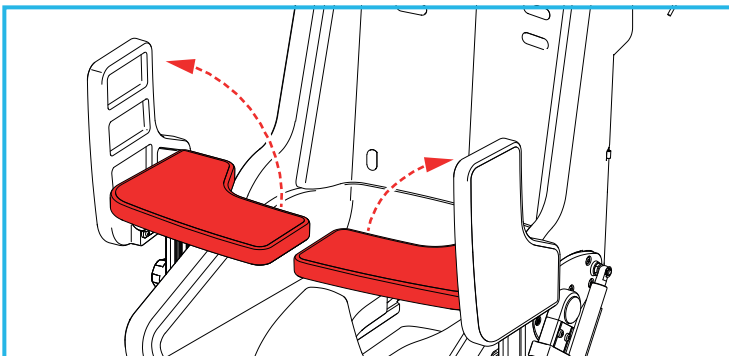


Thin Seat Liners	Thick Seat Liners
N72322: Small (Size 2)	N72310: Small (Size 1)
N72346: Medium (Size 4)	N72334: Medium (Size 3)
N72679: Large (Size 6)	N72668: Large (Size 5)
Extra Thick Liners	
N84981: Large (Size 7)	

Anterior Support

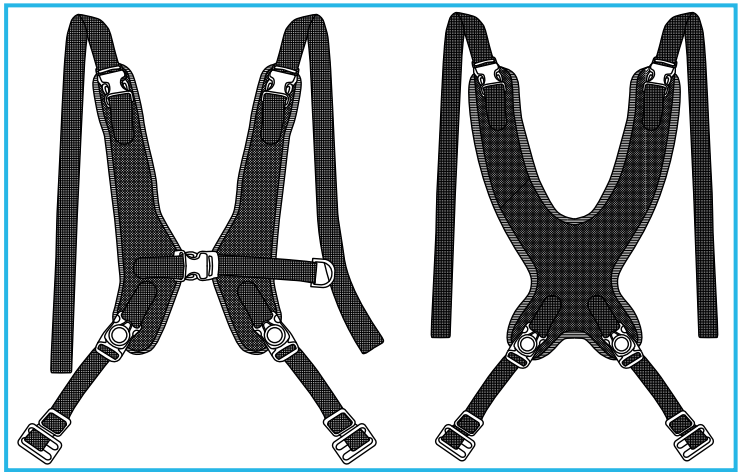
The anterior supports are designed to give additional support to the user during toileting.

The flip-up design gives the user easy access in and out of the chair.



Anterior Support
N72127: Small
N72188: Medium / Large

Seat Harnesses

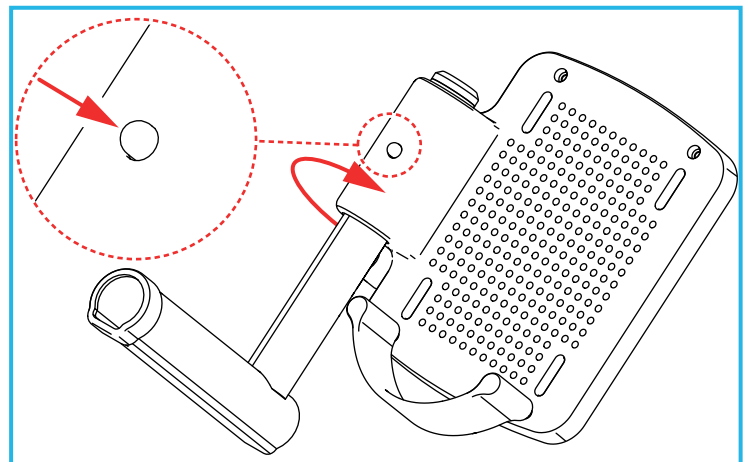


Chest Harness	Butterfly Harness
N72139: Small	N72152: Small
N72140: Medium	N72164: Medium
N72723: Large	N72759: Large

4. ASSEMBLY

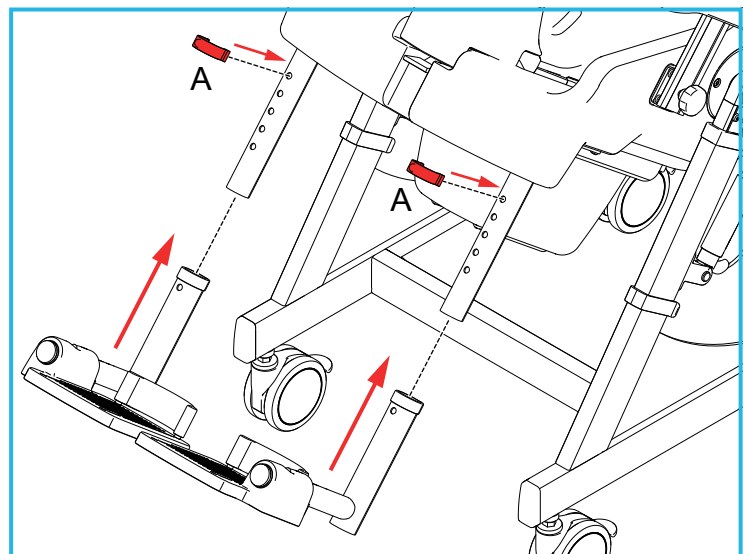
4.1 Assembling the Footrests

Note: Each footrest is specific to the left / right hand side of the chair.



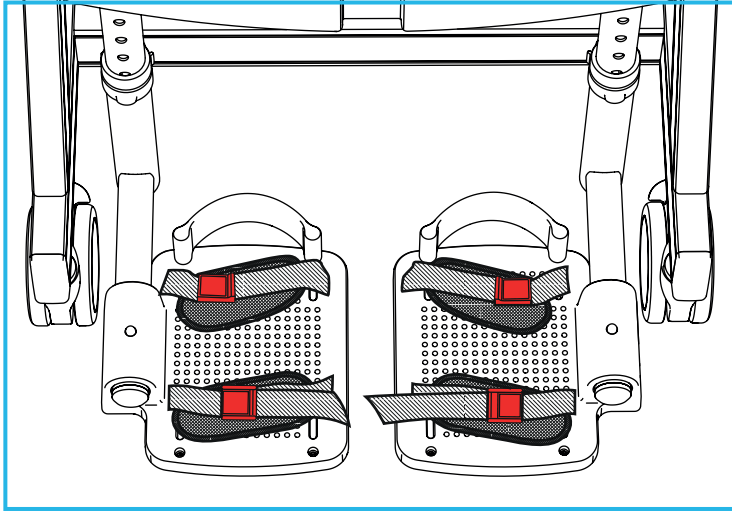
1. Unfold the footrests until the button clips click into place.

Note: To fold the footrests press the button clip and lift the footrest into the closed position.



2. Tilt the chair to the reclined position (see section 5.5).
3. Slide the footrests onto the support tubes.
4. Set the footrest to the required height, align the holes, and insert the height adjustment clips (A).
5. Return the chair to an upright position.

4.2 Fitting the Foot-Straps



1. Release the plastic adjustment buckle, and thread the webbing through the slots in the footrests, leaving the buckle uppermost.
2. Feed the loose end of the strap through the buckle and fasten securely.

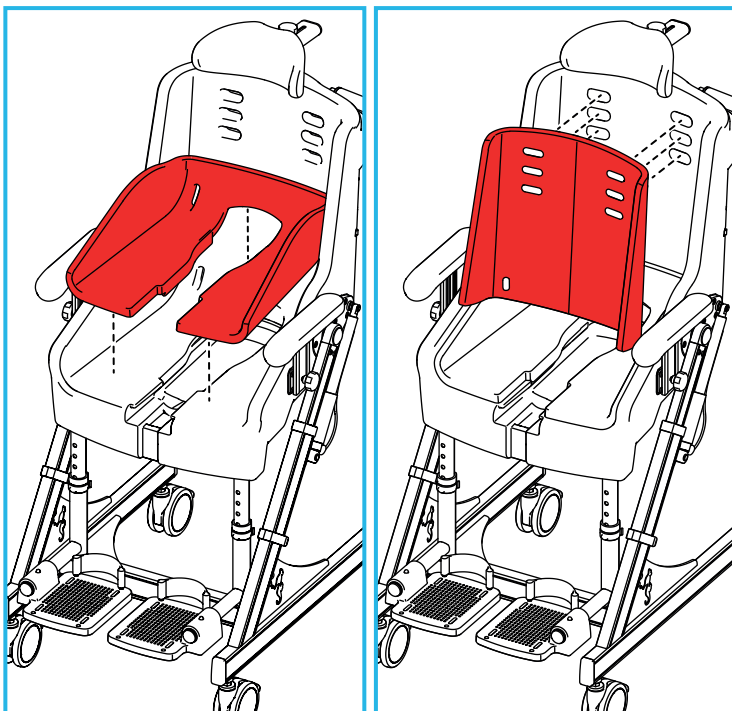
4.3 Fitting the Liners (Optional)

The chair is supplied without liners fitted.

There are two liner sizes for each chair model (see section 3.2 for details).

If liners were ordered at the time of purchase, they will be included in the delivery.

Note: We recommend you fit the seat liner before fitting the back liner.



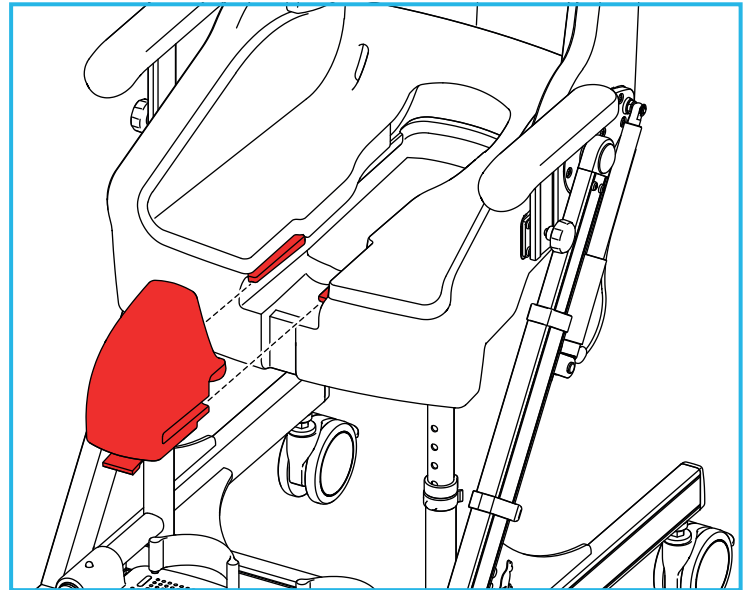
1. Remove the liners from the packaging, and insert into the chair seat as shown.
2. Make sure the liners are pushed firmly into the slots in the back of the seat moulding.

4.4 Fitting the Pommel

The pommel can be used to help position the user. It also helps secure the seat liner in position.

Note: The pommel should be fitted AFTER fitting the liners.

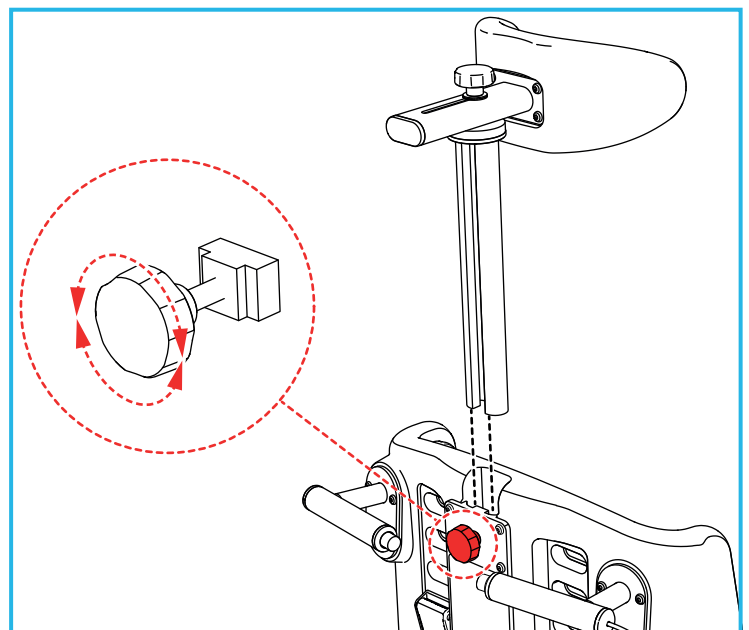
WARNING: Take care when inserting the pommel to minimise the risk of entrapment of the user.



Slide the pommel onto the seat locating ribs and push firmly until it clicks into place.

4.5 Fitting the Headrest

CAUTION: We strongly recommend the use of the headrest to fully support the users head and neck, most importantly when the chair is being tilted.



1. With the chair seat in the upright position, locate the slot for the headrest at the top of the chair.

2. Turn the adjustment knob counter-clockwise to loosen the T-nut.
3. Fit the headrest into the slot making sure the T-nut slides into the headrest column.
4. Tighten the adjustment knob clockwise to secure the T-nut to the headrest column.

4.6 Fitting the Lap-Strap

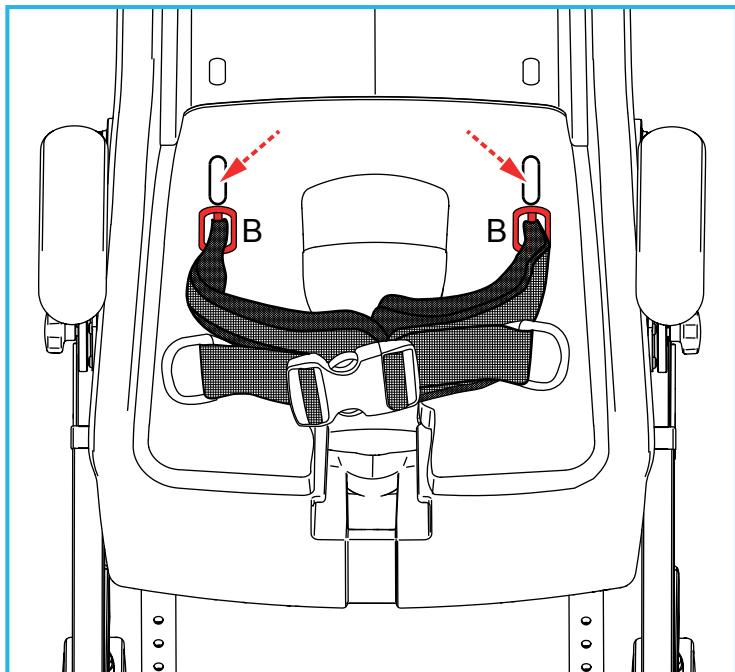
The lap-strap must be fitted to the chair before use. Make sure you have the correct size lap-strap for the chair:

N99089: Small

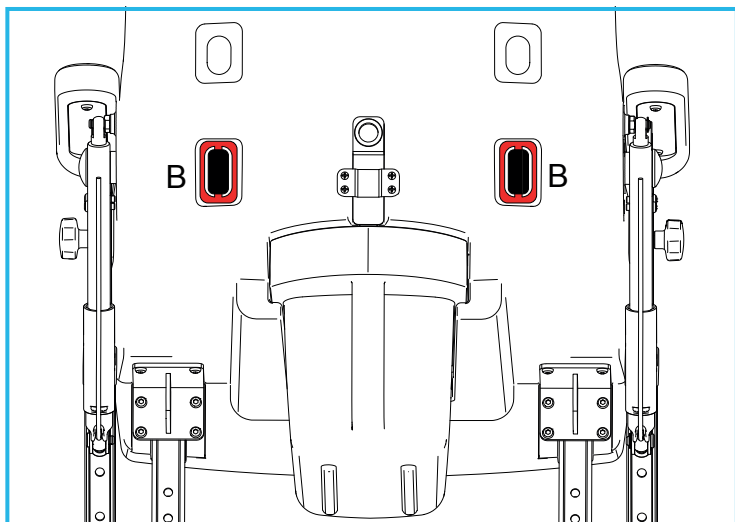
N99091: Medium

N99108: Large

WARNING: Only use the lap-strap supplied with the chair. Check regularly for signs of wear or damage and replace where necessary (see spares section 13)



1. To fit the lap-strap, feed the two rear buckles through the slots in the seat liner and seat.
2. The buckles (B) must be pushed fully through the slots, by rotating them through 90 degrees.



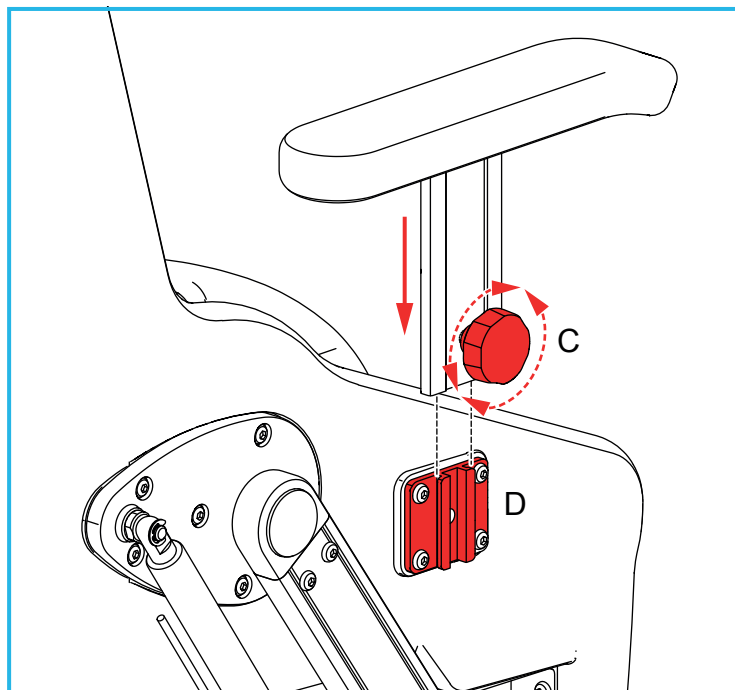
3. Pull the straps from the front to locate the buckles (B) as shown. Make sure the buckles cannot pull through the seat, by tugging firmly.

4.7 Fitting the Armrests

The chair is supplied with the armrests in a separate box. They should be fitted before use.

Note: Each armrest is specific to the left / right hand side of the chair. The armrest must angle down at the front.

WARNING: The chair is designed to be used with the armrests in place. They can be removed if they get in the way of entry / exit of the chair (such as hoisting a user or during side transfers). However, either the armrests (or the optional anterior supports) should always be fitted when operating the Tilt-in-Space function of the chair.



1. Turn the adjustment knob (C) counter-clockwise to loosen.
2. Slot the armrests onto the mounting plates (D) either side of the chair.
3. Tighten the adjustment knob (C) clockwise to secure the armrests.

5. GENERAL OPERATION & ADJUSTMENT

The Seahorse Plus is designed to assist toileting and showering for children and young adults. It can be used over a toilet or with the supplied commode pan.

The Seahorse Plus can be used to manoeuvre the user within a bathing environment. It is not designed to be used as a wheelchair for general transport purposes.

The Seahorse Plus is constructed from corrosion resistant materials. However it should be wiped dry after each use.

The Seahorse Plus is not designed for use or storage outdoors.

Make sure the seat height is correctly adjusted (see section 5.2) and the commode pan removed (see section 5.8) before using over a toilet. Take care when positioning the chair over the toilet to make sure the seat aperture lines up with the toilet bowl to avoid spillage.

WARNING: Before using the chair for the first time, make sure the chair is fully assembled (see section 4), and that the chair is correctly adjusted for the user as described below.

WARNING: Before getting in or out of the chair, make sure castors are locked (except when using a hoist). Make sure footrests are flipped up and that the user does not stand on the footrests.

WARNING: Do not use the chair to transport the user up or down steep ramps or slopes.

WARNING: Do not leave a user unattended in the chair, or leave the chair in an unsupervised environment.

WARNING: We recommend that the lap-strap is used at all times during showering or bathing, to reduce risk of the user sliding out of the chair.

5.1 Operation of Castor Brakes

The chair has 4 independently lockable castors. We recommend that the castor locks are always fully engaged when stationary (except during hoisting).

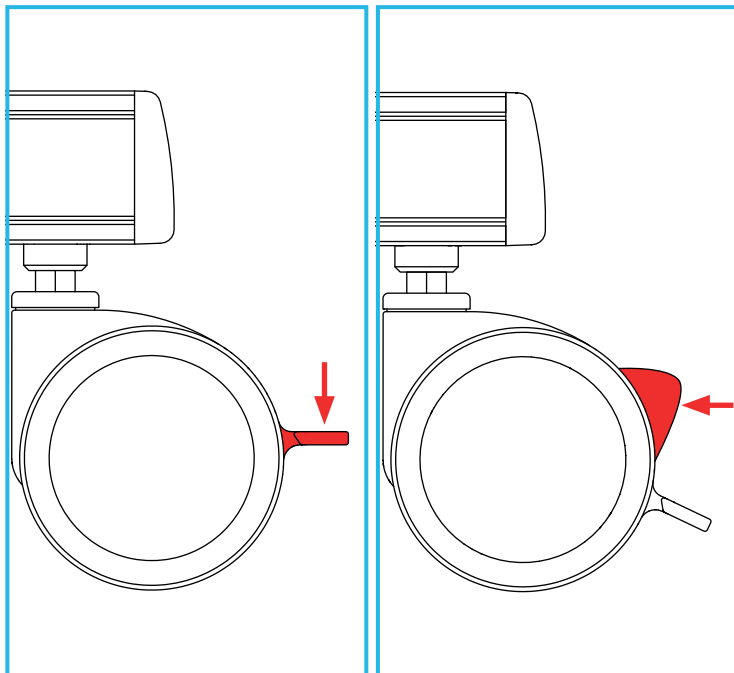


Fig 1: Castor Unlocked **Fig 2: Castor Locked**

1. To lock the castor brake, press down on the castor tab (Fig 1).
2. To disengage the castor brake, press-in the button above the castor tab (Fig 2).

3. For maximum stability (most importantly when the chair is tilted), the rear castors should be rotated backwards and locked (Fig 2).

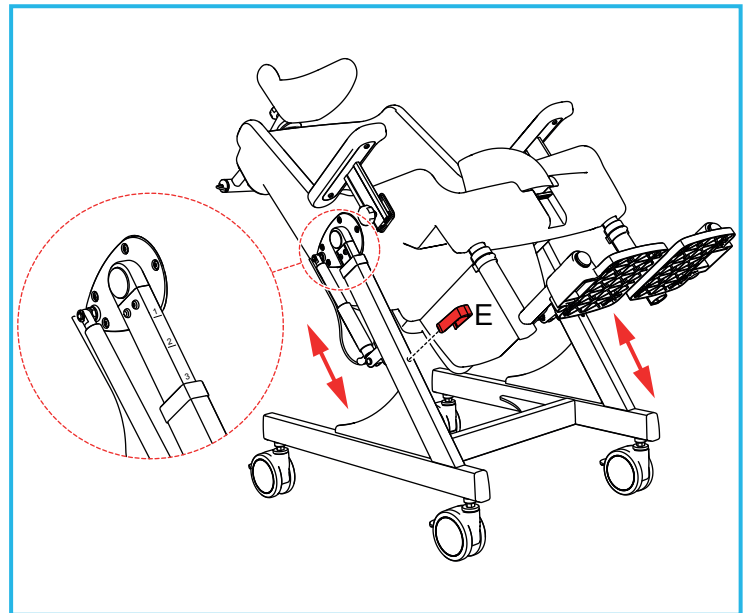
5.2 Seat Height Adjustment

The seat height can be adjusted to suit different users and to aid positioning over a toilet.

There are 4 adjustment holes, giving an adjustment of 108 mm / 4.25". Each position is marked by a line on the upper leg, and a number (1-4), 1 being the lowest setting and 4 being the highest.

WARNING: The chair should not be occupied when adjusting the seat height.

WARNING: Check both height adjustment clips are securely fitted before use.



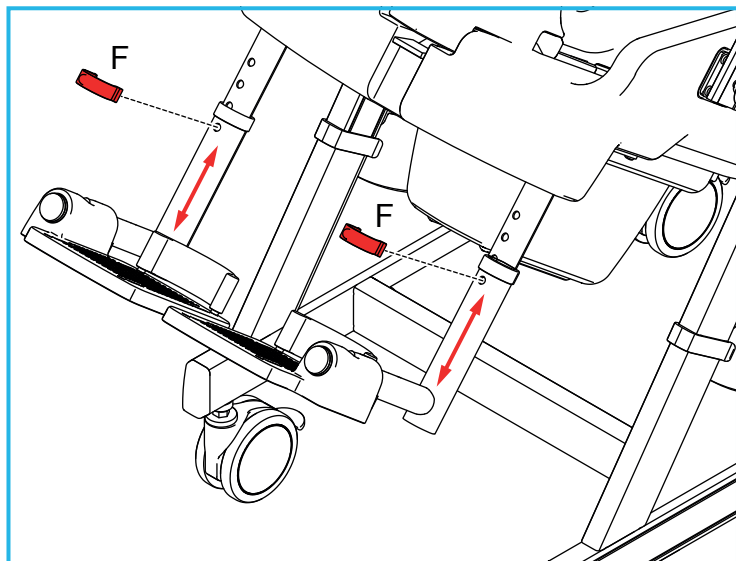
1. Lock all 4 castors (see section 5.1).
2. Remove the commode pan (see section 5.8).
3. Tilt the chair until the back is in line with the angled legs (see section 5.5).
4. Remove both height adjustment clips (E).
5. Standing behind the seat, place your foot on the bottom bar of the frame. This will help prevent the frame from moving when lifting the seat. Place your hand through the commode pan hole and lift or lower the seat. This requires a reasonable amount of force and may require two people.
6. Align the desired height marking on the inner leg with the outer leg.
7. Insert Height Adjustment clip (E). Repeat on the other leg, ensuring the same height marking is used.
8. Tilt the chair back to vertical (see section 5.2).

5.3 Footrest Adjustment

The footrest height can be adjusted at 25mm increments to a total of 100 mm / 4" (small and medium size chairs) and 125 mm / 5" (large chair).

If the seat height is at its lowest setting (see section 5.2), and the footrests are positioned at their lowest setting, we recommend tilting the seat slightly to make sure the front castors can freely rotate.

WARNING: Make sure the adjustment clips are fully engaged before using the chair.

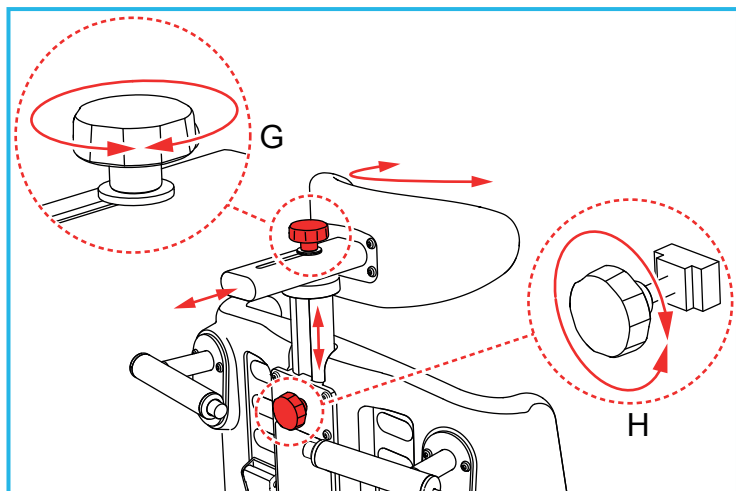


1. To adjust, remove the adjustment clip (F) on the footrest.
2. Raise the footrest up or down, and make sure the holes in the inner and outer tube are aligned.
3. Replace adjustment clips (F).

5.4 Headrest Adjustment

The headrest can be adjusted horizontally and vertically.

WARNING: Make sure the adjustment knobs are fully tightened before use.



1. Turn adjustment wheel (G) counter-clockwise to release the headrest. The headrest can now be moved back and forward and rotated left to right.
2. Turn adjustment wheel (G) clockwise to secure the headrest.
3. Turn adjustment wheel (H) counter-clockwise to release the headrest column. The headrest can now be moved up and down.

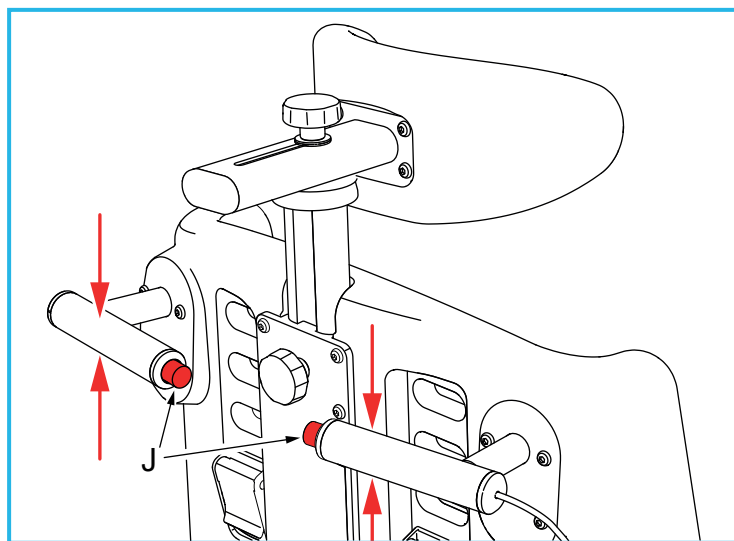
4. Turn adjustment wheel (H) clockwise to secure the headrest column.

5.5 Tilt-In-Space Operation

The chair can be tilted from upright to a 40° tilt in a smooth continuous motion. It is controlled by gas springs located either side of the chair (one gas spring only on small chair).

WARNING: Before operating the tilt-in-space mechanism make sure the users arms and feet are on the armrests and footrests.

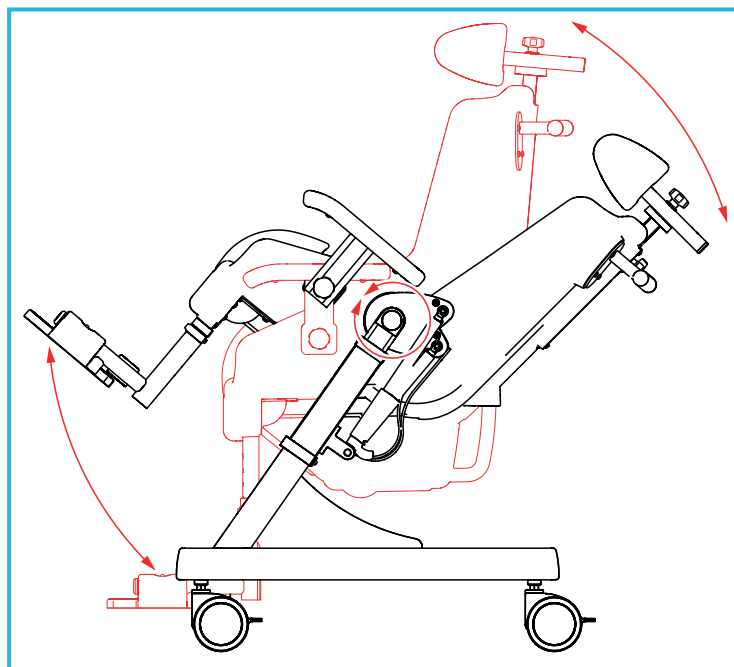
WARNING: Make sure the rear castors are pointing backwards and locked before tilting the chair.



1. The tilt-in-space operation is performed by pressing both red buttons (J) simultaneously on the rear push handles, while pressing down on the push handles at the same time.

Note: The small chair only has one push button.

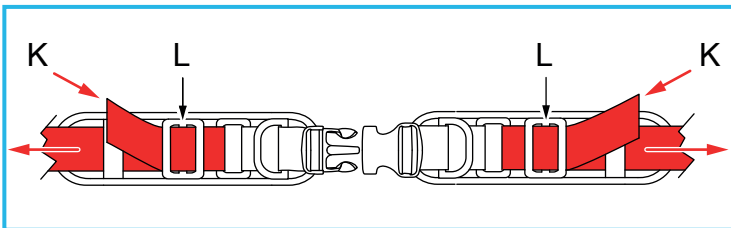
Note: Make sure the red push buttons are pressed fully before pushing down on the push handles to prevent damage to the mechanism.



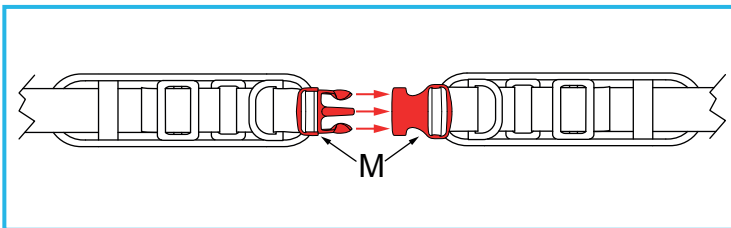
- When the desired angle is reached, release the two red buttons and the chair angle will lock.
- To return the chair to upright, press down on the push handles to support the weight of the occupant, then press the red buttons (J) to release the lock.
- Raise the chair to the upright position by gently pulling up on the two push handles. When the chair is at the required position, release the two red buttons.

5.6 Using and Adjusting the Lap-Strap

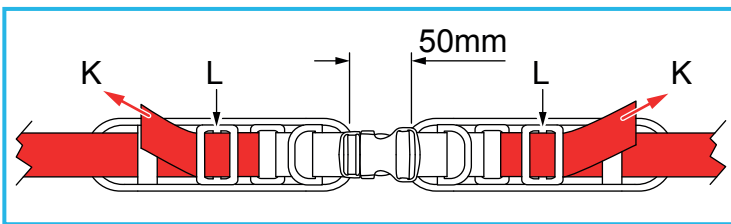
WARNING: Make sure the lap-strap is correctly adjusted for the user every time the user is seated. Incorrectly adjusted lap-straps can result in the user sliding forwards in the chair.



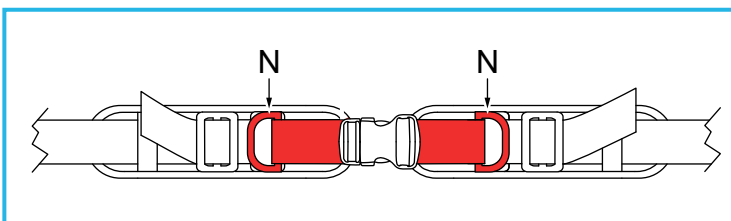
- Loosen the lap-strap on each side by feeding the loose end of the webbing (K) through the slider (L) until the lap-strap is at its longest setting.



- Position the user in the chair, then fasten the lap strap, using the buckle (M), loosely around the users waist.

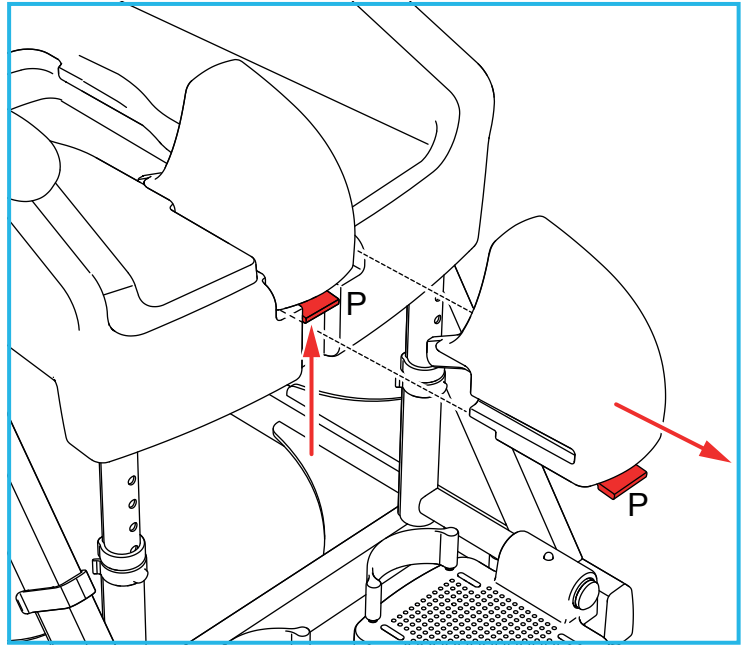


- Adjust the fit of the lap-strap by feeding the excess webbing (K) through the sliders (L) on each side until the lap-strap is a loose fit. Make sure there is a gap of approx 50 mm (2") between the padded sections.



- For final adjustment to ensure a tight fit, pull on the two D-shaped toggles at the front (N) to close the gap between the padded sections.

5.7 Removing the Pommel

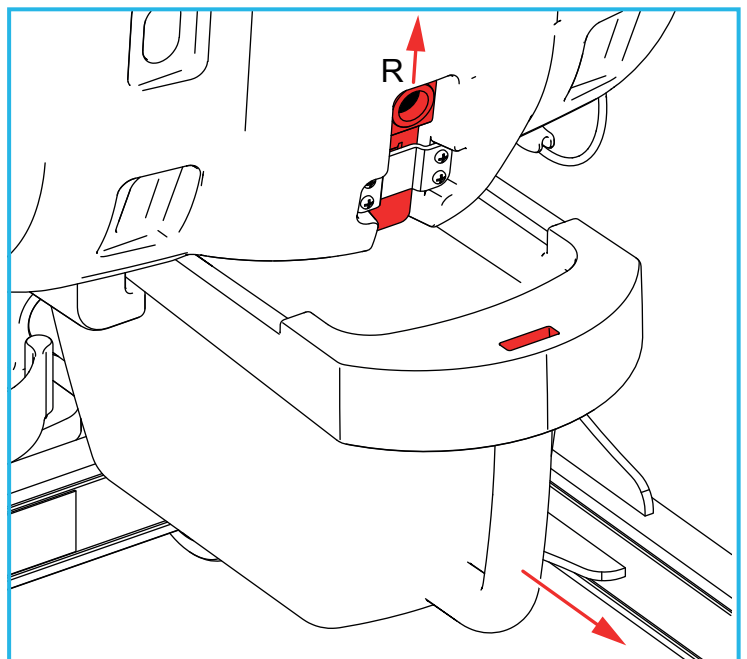


Lift the pommel clip (P) to release the pommel, then slide the pommel out.

5.8 Using the Commode Pan

WARNING: We recommend not inserting / removing the commode pan with a user in the chair, to minimise the risk of entrapment.

WARNING: The commode pan can be heavy when full.



- To insert the commode pan, raise the commode pan latch (R) and align the commode pan with the two grooves under the seat, and slide into position. The latch (R) should then be released and should click into place in the slot in the commode pan.

- To remove the commode pan, raise the latch (R) and withdraw the commode pan, taking care to avoid spillage.

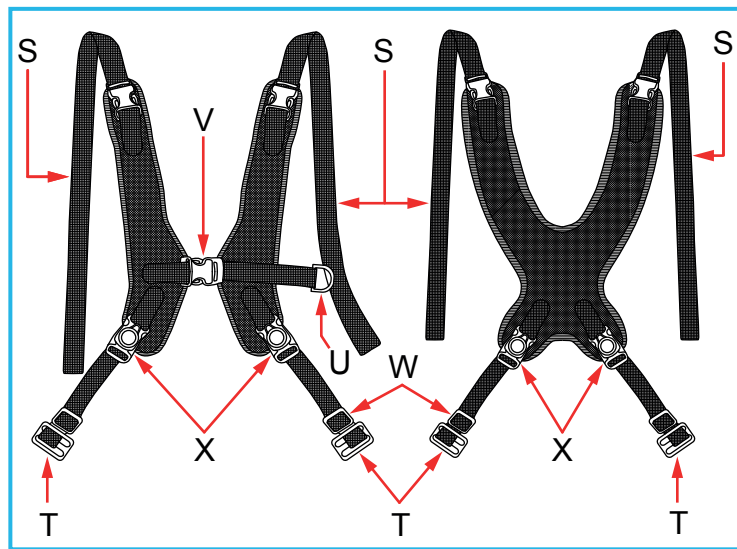
6. OPERATION OF ACCESSORIES

All accessories can be ordered directly from NRS Customer Services or your dealer.

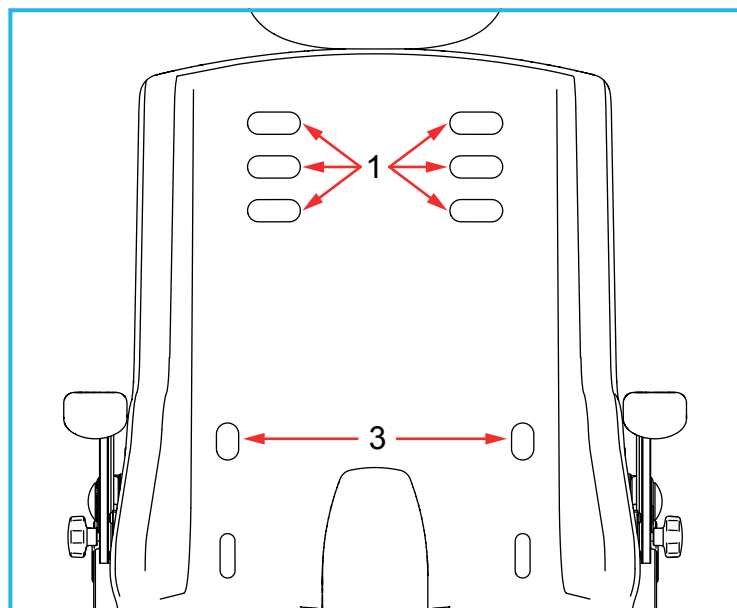
6.1 Fitting and Using the Chest and Butterfly Harnesses

The chest and butterfly harnesses are supplied separately as optional accessories. Both harnesses are fitted in the same method.

Make sure you have the correct size for the chair:

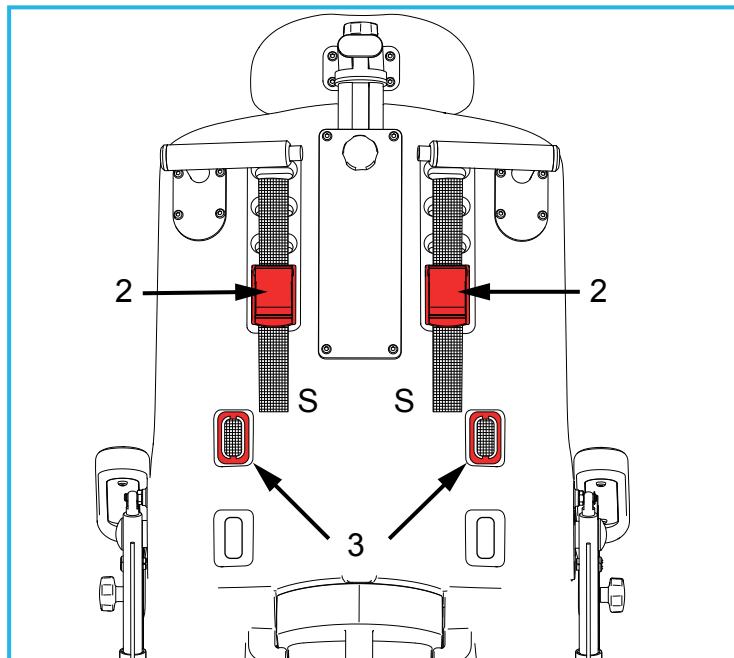


Chest Harness	Butterfly Harness
N72139: Small	N72152: Small
N72140: Medium	N72164: Medium
N72723: Large	N72759: Large



Chair Front

- Feed the upper straps (S) through the upper slots in the seat / liner (1). There are three pairs of slots, allowing a different height setting for the harness.



Chair Rear

- Feed the upper straps (S) down through the cam-locks (2), then lock the cam-locks closed.

Note: Leave plenty of slack at this stage.

- Feed the buckles (T) on the lower straps through the lower slots in the seat / liner (3), by rotating the buckles 90 degrees and pushing firmly.
- Align the buckles (T) to fit flush at the rear of the seat (as shown), then pull the straps tight from the front to make sure they are fully secure.
- Use the adjustments sliders (W) to adjust the bottom straps.

Using the Chest Harness

- Unclip the central buckle (V) and loosen the front strap (U), then sit the user in the chair.
- Reclip the central buckle (V), then pull the front strap (U) to secure the user.
- Tighten the upper straps (S) from the rear of the chair, by opening the cam locks (2) and pulling down on the straps (S).
- Close the cam-locks (2) to secure the upper straps (S).

Using the Butterfly Harness

- Unclip the lower strap buckles (X) from the harness.
- Lift the harness and sit the user in the chair.
- Lower the harness over the user and reattach the lower strap buckles (X).
- Tighten the upper straps (S) from the rear of the chair, by opening the cam locks (2) and pulling down on the straps (S).
- Close the cam-locks (2) to secure the upper straps (A).

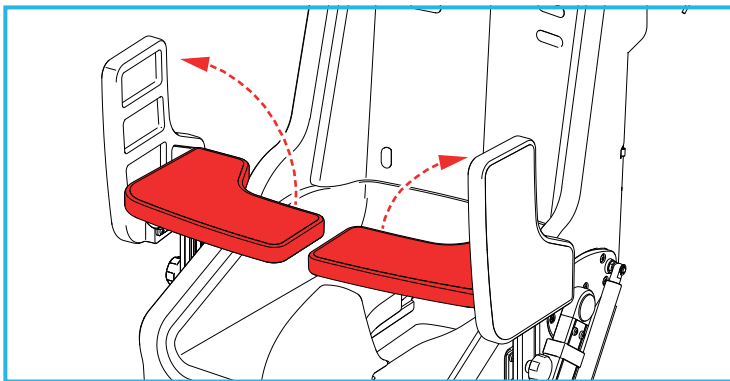
6.2 Fitting and Using the Anterior Supports

Note: Each anterior support is specific to the left / right hand side of the chair.

WARNING: The chair is designed to be used with either the armrests or anterior supports in place. The anterior supports can be removed if they get in the way of entry / exit of the chair (such as hoisting a user or during side transfers). However, the anterior supports should always be fitted when operating the Tilt-in-Space function of the chair.

The anterior supports are not designed to support the user's full body weight. If sat on, they could be damaged.

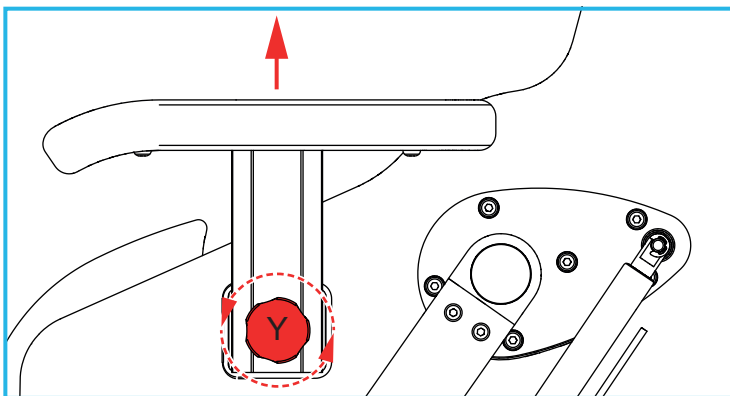
Make sure you have the correct size for the chair:



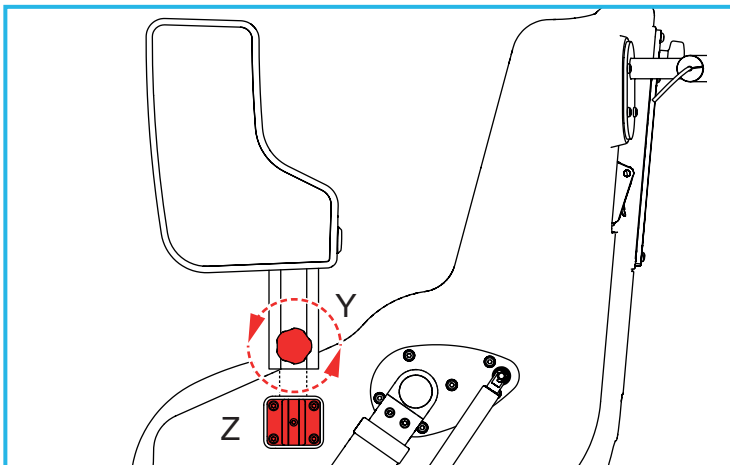
Anterior Support

N72127: Small

N72188: Medium / Large



1. Turn the adjustment knob (Y) counter-clockwise and slide the armrests off the mounting plates.



1. Turn the adjustment knob (Y) counter-clockwise to loosen.
2. Slot the anterior supports onto the mounting plates (Z) either side of the chair.
3. Tighten the adjustment knob (Y) clockwise to secure the supports.
4. The anterior supports are removed using the same method as the armrests.

7. CARE & MAINTENANCE

We strongly recommend you check the product at regular intervals for damage and correct operation.

7.1 Weekly Checks

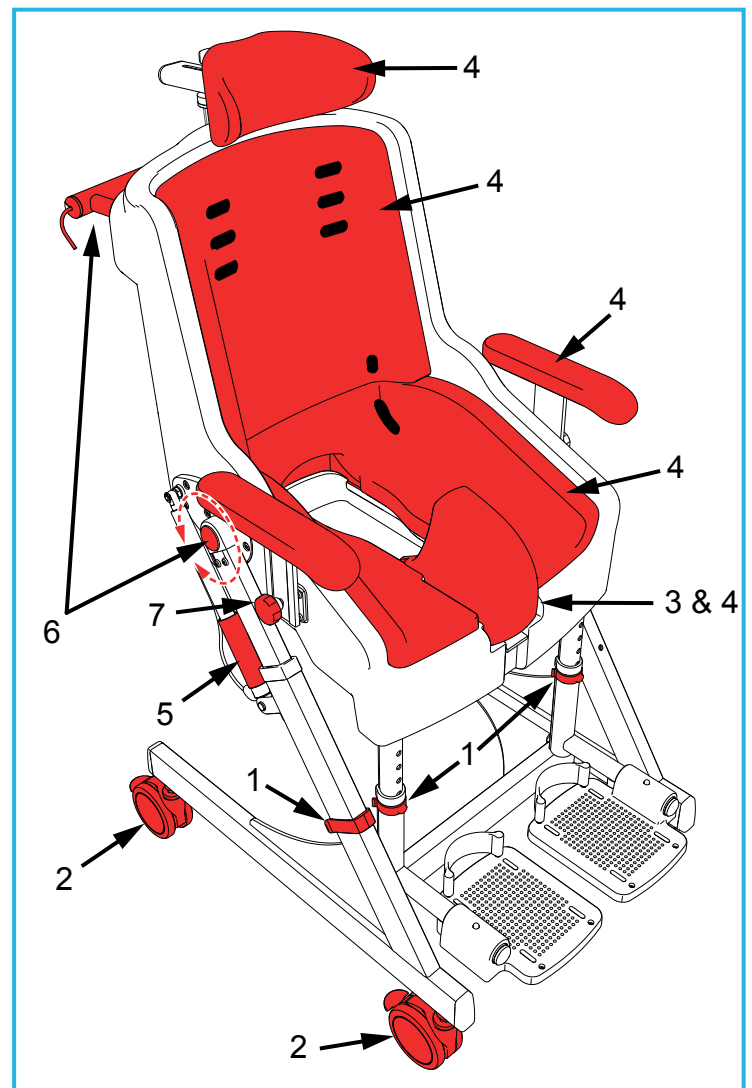
Check the gas-strut is clean and free from damage (refer to Section 7.6 for cleaning details)

7.2 Monthly Checks

Check for any loose or visually damaged parts, loose or missing screws.

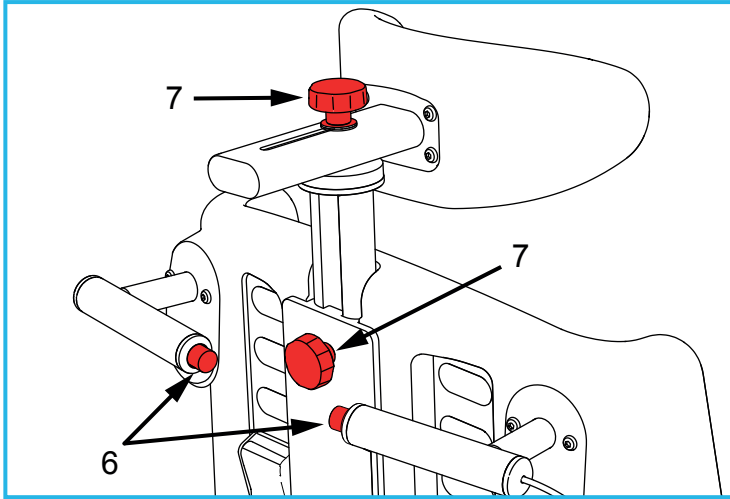
Check that the seat is secure and not showing any free-play.

WARNING: If any faults or damage is identified, STOP using the chair immediately.



1. Check all height adjustment clips are securely in place (see section 5.2, 5.3).

2. Check all castors are free to rotate and that brakes lock correctly (see section 5.1). If any of the brakes fail to operate, stop using the chair immediately.
3. Check the Pommel locks in place and does not slide out when pulled (see section 4.4, 5.7).
4. Check for any damage to the soft moulded parts (seat liners, headrest, armrests, pommel). If any of these parts are damaged, they should be replaced.



5. Check the Tilt-in-Space mechanism for smooth operation. Make sure it locks fully when the red push buttons are released (see section 5.5).
Check the assembly for hydraulic fluid leaks.
Stop using the chair immediately if the mechanism becomes difficult to operate, fails to lock correctly or leaks hydraulic fluid.
6. Check the security of all adjustment knobs and fasteners. Pay particular attention to the armrests (see section 4.7), headrests (see section 5.4) and anterior supports (see section 6.2).
7. Check all straps and harnesses for any signs of damage to the webbing or to the buckles. Damaged items must be replaced immediately.

Please contact NRS Healthcare Customer Services to report a fault or book an inspection by a service technician.

Refer to section 13 for a detailed list of spare parts.

7.3 Annual Inspection

We recommend this product is checked annually by a qualified technician for safe operation and repair of any damaged or missing parts.

7.4 Cleaning & Disinfection

The chair should be cleaned at regular intervals, and dried fully after each use.

Cleaning the chair is an ideal opportunity to identify any signs of wear or damage (see section 7).

Regular cleaning is also essential to minimise risk of infection transmission between users and carers. This is particularly important in a multi-user environment.

Particular attention must be taken to clean the commode pan / chair interface, between the liners, pommel, seat moulding and gas strut.

WARNING: There is a risk of infection transmission to the carer when cleaning the chair. Protective equipment should be worn during any cleaning or maintenance

- Clean regularly using a general purpose, neutral detergent and warm water.
- Please check the suitability of the cleaning product before use. Do not use abrasive cleaners or cloths as these could permanently damage the surface and invalidate any warranty.
- To disinfect, wipe with a dilute bleach solution, and rinse thoroughly with fresh water.
- Check the chair for functionality after cleaning the chair.

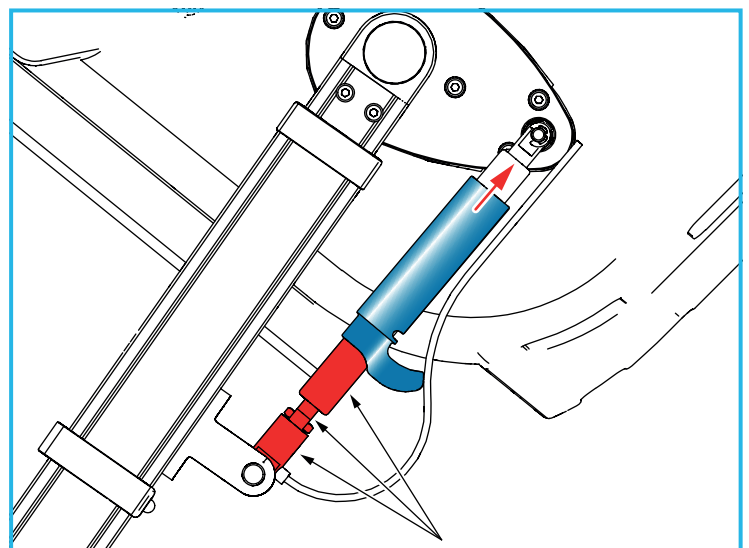
7.5 Lap-strap and Harness Cleaning

- Clean with sponge and warm soapy water
- Do not use bleach or solvents
- Do not steam clean, tumble dry or dry clean.

7.6 Cleaning the Gas Strut

Note: We recommend weekly cleaning of the gas strut mechanism.

Note: For hard-water areas we recommend you clean with filtered / purified water.



1. Raise the plastic cover on the gas strut (pulling upwards) and clean the lower part of the gas strut with water. Lower the plastic cover and push down to secure.
2. Repeat the process for the opposite side.

8. PRODUCT DISPOSAL

This product should be thoroughly cleaned prior to disposal.

This product is manufactured from metal and plastic and can be disposed of through Local Authority Household Waste and Recycling Centres or through Local Trade Waste Collectors.

9. PRODUCT GUARANTEE

NRS Healthcare guarantee this product for a period of 24 months, from the date of purchase, against faulty materials and workmanship.

This guarantee does not cover abuse, interference or tampering with any part of the products. Issues arising from fair wear & tear and customer misuse are not covered.

This guarantee covers domestic use only. If the product is used in commercial or semi-commercial settings such as care homes, schools, rental or communal accommodation etc, the guarantee is valid for one year only. Consumable parts are also guaranteed for one year only.

Any guarantee issued by NRS Healthcare does not affect your statutory rights.

9.1 Conditions:

The tilt mechanism must be cleaned regularly to wash away salts / calcium deposits / cleaning products as indicated in Section 7. This is particularly important in hard water areas.

We reserve the right to exclude the tilt mechanism from the warranty if the gas strut has not been cleaned regularly, and there is evidence of a large build-up of salts / calcium / cleaning products on the mechanism.

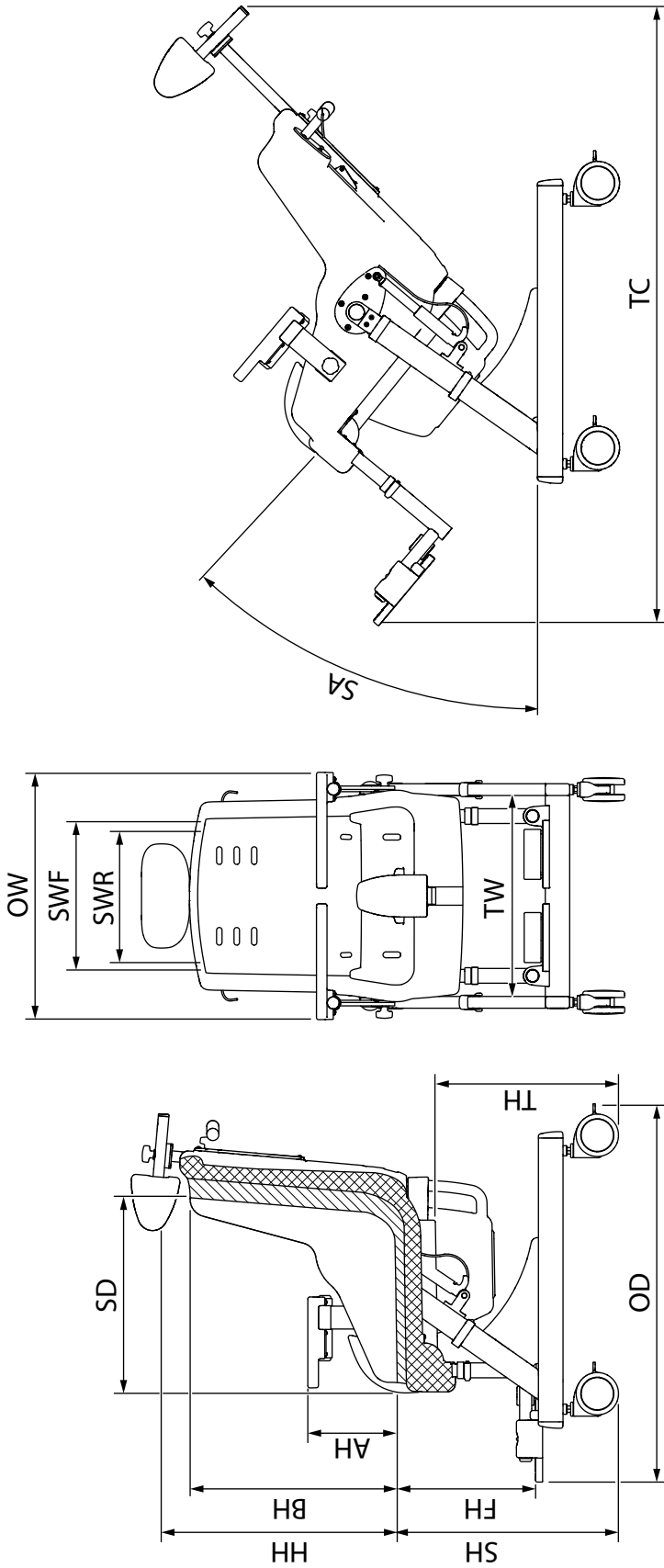
Liners and belts are only guaranteed for 1 year as these are consumable parts.

10. PRODUCT STANDARDS

BS EN 12182:2012 (Assistive products for persons with disability. General requirements and test methods)

BS EN ISO 14971:2012 (Application of risk management to medical devices)

11. SEAHORSE PLUS DIMENSIONS



Feature	Ref	Small Seahorse Plus N72012			Medium Seahorse Plus N72024			Large Seahorse Plus N72036				
		Small Thick Liner - Size 1	Small Thin Liner - Size 2	No Liner	Medium Thick Liner - Size 3	Medium Thin Liner - Size 4	No Liner	Large Thick Liner - Size 5	Large Thin Liner - Size 6	Large Extra Thick Liner - Size 7	No Liner	
Seat Depth	SD	327mm	355mm	374mm	425mm	457mm	470mm	425mm	455mm	455mm	488mm	19 1/4"
Rear Width of Seat	SWR	258mm	294mm	332mm	303mm	339mm	378mm	411mm	447mm	375mm	477mm	19"
Front Width of Seat	SWF	294mm	334mm	365mm	353mm	393mm	423mm	460mm	500mm	420mm	530mm	20 3/4"
Height of Back	BH	391mm	391mm	414mm	490mm	490mm	514mm	549mm	549mm	549mm	572mm	22 1/2"
Min Headrest height	HH	456mm	456mm	475mm	562mm	562mm	584mm	620mm	620mm	620mm	641mm	25"
Max Headrest height	HH	631mm	631mm	650mm	737mm	737mm	759mm	795mm	795mm	795mm	816mm	32"
Min height of Seat	SH	540mm	540mm	521mm	521mm	521mm	501mm	521mm	521mm	521mm	501mm	19 1/2"
Max height of Seat	SH	648mm	648mm	629mm	625mm	625mm	609mm	629mm	629mm	629mm	609mm	24"
Min height of Footrests	FH	275mm	275mm	255mm	325mm	325mm	305mm	325mm	325mm	325mm	305mm	12"
Max height of Footrests	FH	375mm	375mm	355mm	425mm	425mm	405mm	450mm	450mm	450mm	430mm	17"
Total width (including anterior support)	OW	532mm	532mm	532mm	586mm	586mm	586mm	692mm	692mm	692mm	692mm	27"
Total depth (upright)	OD	807mm	807mm	807mm	860mm	860mm	860mm	877mm	877mm	877mm	877mm	34 1/2"
Max turning circle (tilted)	TC	1209mm	1209mm	1209mm	1413mm	1413mm	1413mm	1488mm	1488mm	1488mm	1488mm	58 1/2"
Min height over toilet	TH	461mm	461mm	461mm	442mm	442mm	442mm	442mm	442mm	442mm	442mm	17 1/2"
Max height over toilet	TH	569mm	569mm	569mm	551mm	551mm	551mm	550mm	550mm	550mm	550mm	21 3/4"
Min width over toilet	TW	426mm	426mm	426mm	478mm	478mm	478mm	592mm	592mm	592mm	592mm	23 3/4"
Height of Anterior Support to Seat	AH	179mm	179mm	199mm	214mm	214mm	234mm	214mm	214mm	214mm	234mm	9"
Min Seat angle	SA	0°	0°	0°	0°	0°	0°	0°	0°	0°	0°	0°
Max Seat angle	SA	40°	40°	40°	40°	40°	40°	40°	40°	40°	40°	40°
Max User Weight		63.5kg	63.5kg	63.5kg	102kg	102kg	102kg	152kg	152kg	152kg	152kg	24st
Product Weight (including liners)		21kg	20.1kg	18.7kg	26kg	24.5kg	22.3kg	29.2kg	27.7kg	27.7kg	24.8kg	54.7lbs













12. FAULT-FINDING

Problem	Action
Castors fail to rotate	Check castors are clean and free from obstructions
Chair does not roll smoothly	
Castors brakes don't engage	Check castor brakes are not engaged (see section 5.1) Replace castor if faulty (see spares section 13)
Seat is not level / secure	Check height adjustment clips are in place and are in the right holes (see section 5.2)
Footrests not level	Check height adjustment clips are in the correct holes (see section 4.1 & 5.3)
Seat rocks around pivot	Check for loose / missing screws / fasteners. Possible damage to gas springs – contact NRS Customer services or dealer for replacement / service
Armrests / Anterior Supports will not remove	Check knob is undone before removing (see sections 4.7 & 6.2)
Armrest / Anterior Supports loose	Check knob is fully tightened (see sections 4.7 & 6.2)
Headrest loose	Check knobs are fully tightened (see section 5.4)
Pommel slides out	Check pommel clip is latched in place, and an audible click is heard (see section 5.7). If clip damaged, replace pommel (see spares section 13)
Commode pan slides out	Check commode pan latch is located in the slot in the commode pan (see section 5.8). If the latch fails to engage, check the commode pan is fully pushed in
Lap-strap comes loose	Check buckles at back of chair, ensuring rear buckles are securely pushed through seat back (see section 4.6)
Harnesses come loose	Check cam locks are fully locked off. Make sure rear buckles are securely pushed through seat back (see section 6.1)
Chair does not tilt	Make sure that the push buttons are fully depressed before pushing down on the handles (see section 5.5). Make sure the bottom of the gas strut is clean and free from soap / dirt (see section 7.6). If chair still fails to tilt, contact NRS customer service, or your dealer.

13. SPARE PARTS

Stock Code	Spares Description	Fitting Skill
N72176	Headrest	Customer
N84183	Pommel Small	Customer
N72199	Pommel Medium	Customer
P01298	Pommel Large	Customer
N72206	Commode Pan	Customer
P57899	Commode Pan Release Lever	Technician
N72395	Small Locking Footrests (pair) including foot-straps	Customer
N72401	Medium Locking Footrests (pair) including foot-straps	Customer
N81815	Large Locking Footrests (pair) including foot-straps	Customer
P01274	Small Foot-strap set (x4)	Customer
P01286	Medium / Large Foot-strap set (x4)	Customer
M99369	100mm Castor (each)	Technician
P42483	125mm Castor (x4)	Technician
N72231	Small Gas Strut & Cable Assembly	Technician
N72917	Medium / Large Gas Strut & Cable Assembly	Technician
P77710	Pivot Plate Assembly	Technician
P77722	Cam Lock Assembly	Technician
N72243	Height adjust and Footrest E-Clip Set	Customer
N72371	Hand-wheel & Headrest T-nut set	Customer
N72383	Fastener set (screws, washers, clips)	Varies on part
N93994	Plastic Fittings Set	Varies on part
N99089	Small Lap-strap	Customer
N99091	Medium Lap-strap	Customer
N99108	Large Lap-strap	Customer
N73211	Armrests Small & Medium (Pair)	Customer
N85171	Armrests Large (Pair)	Customer

14. GLOSSARY

	Manufacturer		Batch Reference Code		Consult the instructions for use
	Available Languages		Authorised representative in the European Community		Medical Device
	Item/Catalogue number		European Conformity / Conformité Européene		UK conformity assessed marking
	Maximum User Weight		Warning		Important Note

UK CA NRS HEALTHCARE Sherwood House,
Cartwright Way, Forest Business Park, Bardon
Hill, Coalville, Leicestershire, LE67 1UB, UK.

CE NRS HEALTHCARE 4C Altona Road, Blaris
Industrial Estate, Lisburn, Co Antrim, Northern
EC REP Ireland BT27 5QB

Tel: Customer Services: +44 (0)345 121 8111

Email: customerservice@nrshealthcare.co.uk

NRS Healthcare is a leading supplier of community equipment and daily living aids.

Please visit one of our websites to view our full range of products:

www.healthcarepro.co.uk or www.completecareshop.co.uk