

|        |                           |        |                           |
|--------|---------------------------|--------|---------------------------|
| L71134 | Bath Board 26½" (673mm)   | L71146 | Bath Board 27½" (698mm)   |
| L71158 | Bath Board 28½" (724mm)   | L71169 | Bath Board 30" (762mm)    |
| L71171 | Shower Board 26½" (673mm) | L71183 | Shower Board 27½" (698mm) |
| L71195 | Shower Board 28½" (724mm) | L71274 | Grab Handle (optional)    |

### ⚠ General Safety Warning ⚠

Please make sure that you read and follow these instructions carefully. Keep these instructions in a safe place for future reference.

#### 1. INTENDED USE

The Nuvo™ Slatted Bath/Shower Board is designed to provide a safe seating or transfer platform for use when bathing or showering. It can be used on its own or in conjunction with the Nuvo™ Bath Seat to allow the user to sit lower in the bath.



#### 2. SAFETY

**Warning:** The maximum user weight must not be more than 190Kg (30st).

Check the bath seat fits correctly inside the bath. There should be a minimum of 1.5" (37mm) of level bath rim on each side to support the board.

Ensure the wing nuts are tight and the clamps are secure prior to use.

Do not attempt to stand on the seat.

#### 3. UNPACKING

Remove the packaging and check all parts carefully. Contact your supplier immediately if parts are missing or damaged and do not try and assemble.

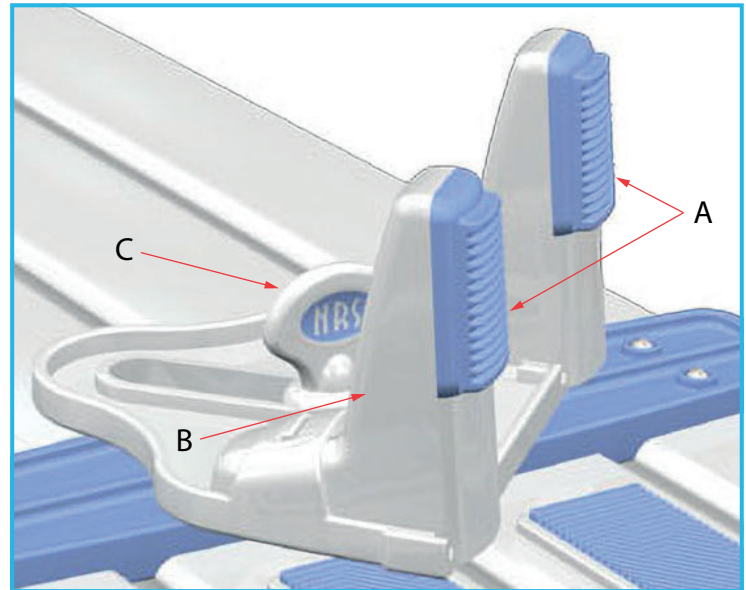
##### 3.1 Contents:

- A. Bracket Pads x 8
- B. Bracket Locators x 4
- C. Wing Nuts x 4

#### Maximum User Weight



#### 4. ASSEMBLY



Push the bracket pads (A) into the bracket locators (B).

Attach the clamp bracket to the underside of the board by screwing the wing nut (C) through the central slot into the corresponding screw thread.

#### 5. INSTALLATION

1. Choose the desired position of the bath board. NRS advise the optimum position to be at the end opposite the taps.
2. Clean and dry the bath walls thoroughly in the area where the board is to be fitted.
3. Place the board across the top of the bath with the brackets facing upwards and the edge of the board in line with the edge of the bath.
4. Slide one of the brackets such that the bracket pad is in line with the inside edge of the bath and secure by tightening the wing nut.
5. Take care not to over-tighten the wing nut.
6. Turn the bath board over and locate the 'fixed' bracket in position at the inside far edge of the bath.

7. Slide the opposite bracket into position so that the bracket pad touches the inside near edge of the bath and secure in place by tightening the wing nut.
8. Take care not to over-tighten the wing nut.
9. The bath board should now feel firm and stable. If not, check the bracket pads are flat against the bath walls, if necessary repeat previous step.

#### 5.1 To remove:

Loosen the wing nut on one of the clamps and slide the bracket away from the bath wall.  
Lift the board up and out of the bath.

### 6. IN USE

1. Stand with your feet flat on the floor with your back to the bath.
2. You should be able to feel the edge of the bath against the back of your legs.
3. Sit down on the edge of the board.
4. Lift your legs one at a time over the bath edge into the bath.
5. Reposition yourself to be central on the board.
6. You may need to use your arms to 'lift' your bottom and move sideways in small stages.
7. You are now ready to shower, wash down or transfer on to a bath seat to be closer to the base of the bath.

### 7. FITTING THE OPTIONAL GRAB HANDLE (L71274)

**Note:** The handle should be fitted centrally on the edge of the board, opposite to the entry/exit side of the bath. It should be angled inwards to the bath. See diagram.



8. Hold the handle in position and slide the plastic tab into position on the underside of the board.
9. Insert the screws and loosely secure in place.
10. Turn the board upside down and tightly fasten the screws using the allen key provided.

### 8. MAINTENANCE

Check the wing nuts are tight and the clamps are secure and that the board has no excessive movement.

Periodically check the board for signs of wear. Any suspected faults or damage should immediately be reported to the supplier and the board taken out of use.

### 9. CLEANING INSTRUCTIONS.

Clean regularly using a general purpose, neutral detergent and warm water.

Please check the suitability of the cleaning product before use. Do not use abrasive cleaners or cloths as these will permanently damage the surface and invalidate any warranty.

To disinfect, wipe with a dilute bleach solution and rinse thoroughly with fresh water.

Product is suitable for thermal decontamination and can be steam cleaned or autoclaved on cleaning cycles up to 80°C.

### 10. PRODUCT DISPOSAL

This product must be thoroughly cleaned/sterilised prior to disposal.

This product is manufactured from metal and plastic and can be disposed of through Local Authority Household Waste and Recycling Centres or through Local Trade Waste Collectors.

### 11. PRODUCT GUARANTEE

NRS Healthcare guarantee this product for a period of 12 months, from the date of purchase, against faulty materials and workmanship.

This guarantee does not cover; abuse, misuse, interference or tampering with any part of the product.

Any guarantee issued by NRS Healthcare does not affect your statutory rights.

**NRS HEALTHCARE** Sherwood House, Cartwright Way, Forest Business Park  
Bardon Hill, Coalville, Leicestershire, LE67 1UB, UK.

Tel: Customer Services: 0345 121 8111

Email: [customerservice@nrshealthcare.co.uk](mailto:customerservice@nrshealthcare.co.uk)

**NRS Healthcare** is a leading supplier of community equipment and daily living aids.  
Please visit one of our websites to view our full range of products:  
[www.healthcarepro.co.uk](http://www.healthcarepro.co.uk) or [www.completecareshop.co.uk](http://www.completecareshop.co.uk)