

- P01304 - 350mm (14") Spa Stainless Steel Straight Grab Rail
- P01316 - 480mm (19") Spa Stainless Steel Straight Grab Rail
- P01328 - 620mm (24.5") Spa Stainless Steel Straight Grab Rail
- P01339 - 350mm (14") Spa Stainless Steel Curved Grab Rail
- P01341 - 480mm (19") Spa Stainless Steel Curved Grab Rail
- P01353 - 620mm (24.5") Spa Stainless Steel Curved Grab Rail

Safe Working Load:



General Safety Warning

It is recommended that a suitably qualified, competent person installs this product.

Please ensure these instructions are fully read and understood before installation / use. Retain these instructions in a safe place for future reference.

1.0 Intended use

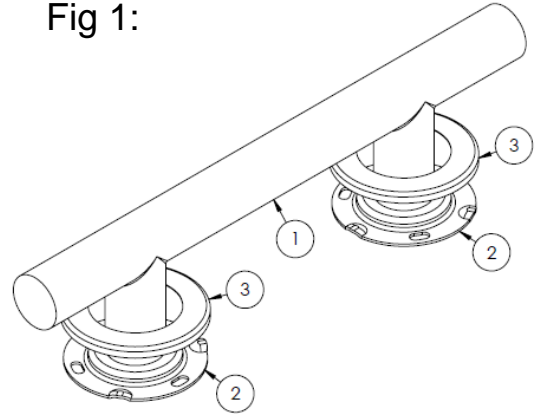
The Spa Grab Rail range provides a stable support to assist users to raise and lower themselves, and provides stability when overcoming everyday obstacles.

2.0 Safety Precautions

- Read these instructions fully before installation and use.
- Use only as a support to assist movement (do not apply full weight to the rail)
- It is recommended that a suitably qualified, competent, person, installs this product
- Never drill through pre-stressed concrete to install a support rail.
- Always check for concealed electrical cables and water pipes when installing; also check your legal requirements relating to earth bonding of extraneous metal parts.
- Do not exceed the maximum load.
- Inspect product (to ensure the rail is unbroken, rigid, stable, and that the fixings & screws are fitted into place) at regular intervals.

(See section 5.2)

Fig 1:



3.0 Unpacking

- Check product carefully before installation. If you see, or suspect a fault, do not install, contact your supplier immediately.

Contents	
1	Grab Rail
2	Cover Plate (pre-fitted)
3	Wall Bracket (pre-fitted)

4.0 Installation Instructions:

4.1 General

- Only install the product in an area where the mounting surface and substrate are structurally sound - Strengthening modifications to the fixing surface may be required.
- Also check the type of substrate you intend to fix it to e.g. brick/block timber or concrete. Always check that the type of fixing you are going to use is compatible with the substrate.
- **Note: As the substrate can vary considerably, we cannot recommend any particular fixings; if in any doubt; consult a reputable fixings supplier for advice.**

4.2 Installation

1. Position the rail in the desired location and mark the hole positions.
2. Drill holes, as appropriate for the fixings/ screws being used. See section 4.
3. Place the rail against the wall and secure using the chosen fixings.
4. **Important !! After installing the product, perform a final tighten and inspection of all fasteners**
5. Test the installation, ensure the rail is rigid, stable and fit for purpose.
6. Once secure, conceal the fixings by pushing the cover plates over the wall brackets.

5.0 Cleaning and Maintenance

5.1 Cleaning

Clean regularly, wipe down with a soft cloth and a mild detergent /disinfectant solution. Do not use abrasive cleaners.

5.2 Maintenance

Periodically check the product is securely fixed to the wall and fit for purpose. Check all fixings are tightened and in good condition. If you see damage, or suspect a fault, do not use. Contact your supplier.

From the NRS Healthcare Range, you may also like:

Nuvo Adjustable Bath Step
Code No: M11077

Series 200 RD Wooden
Folding Shower Seat
Code No: N32804

Combi Grabber
N72358 Length: 660mm (26")
N72369 Length: 813mm (32")



NRS Healthcare

Sherwood House, Cartwright Way,
Forest Business Park, Bardon Hill,
Coalville, Leicestershire.
LE67 1UB UK

Tel. Main Office: 0330 100 00 98
Tel. Customer Services: 0345 121 8111
Email: customerservice@nrshealthcare.co.uk

NRS Healthcare is a Leading Supplier of Community Equipment and Daily Living Aids, to view our full range, visit our website:
www.nrshealthcare.co.uk