

## P78684 - Atlas 3 Transfer Disc

The Atlas 3 Transfer Disc provides assistance when rising from and lowering to a seated position, or seat to seat transfers



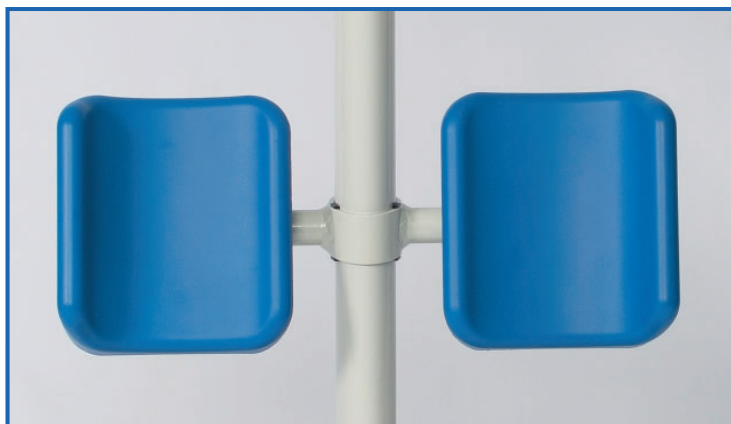
# Designed & Developed by NRS Healthcare

The Atlas 3 Transfer Disc has been developed from the successful Atlas 2 Transfer Disc, it has been redesigned to improve comfort and ease of use.

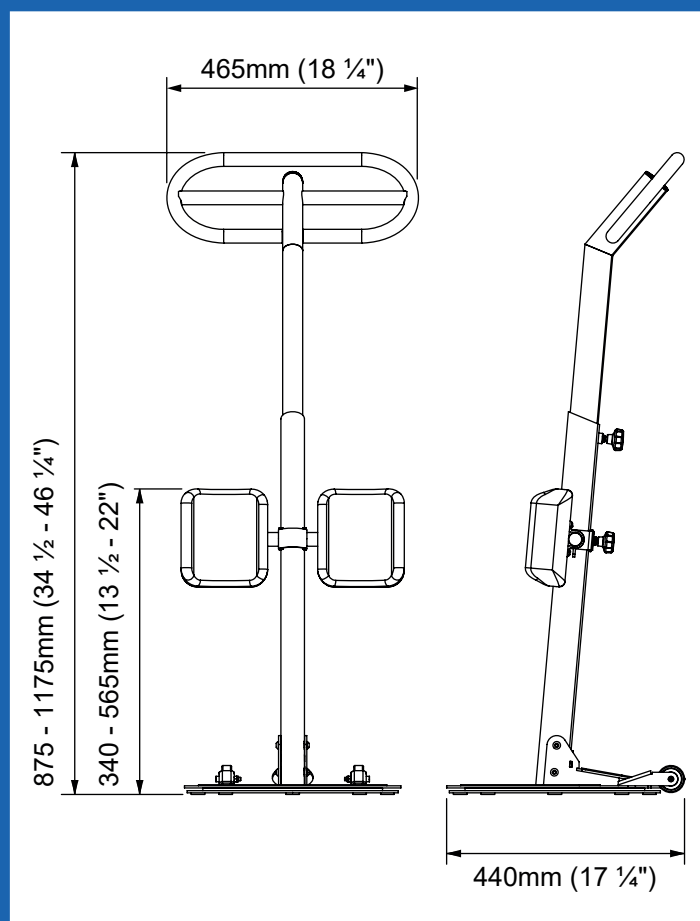
The Atlas 3 Transfer Disc provides assistance when rising from and lowering to a seated position, or seat to seat transfers.

## New and Improved Product Features

- MUW 190Kg / 30 Stone
- New knee pads feature greater lateral support and improved comfort
- New handle provides better hand-hold for the care-giver.



## Product Dimensions



For more information or to place an order, please contact your local Regional Sales Manager or the NRS Healthcare Customer Service Team:

Telephone: 0345 121 8111

Email: [customerservice@nrshealthcare.co.uk](mailto:customerservice@nrshealthcare.co.uk)

[www.nrshealthcare.co.uk](http://www.nrshealthcare.co.uk)

For international enquiries, please telephone: +44 (0)1530 232 292

or email: [exportsales@nrshealthcare.co.uk](mailto:exportsales@nrshealthcare.co.uk)

