

Product Range

P11849	EasyFit Plus ⁺ Bedrail (Standard Handle)
P11838	EasyFit Plus ⁺ Bedrail (Tall Handle)

Product Description & Intended Purpose

The EasyFit Plus⁺ Bedrail provides a stable support for users when getting into and out of bed. The ergonomic handle also provides assistance when repositioning in bed. It is designed for use on all conventional bed types, from single to king size.

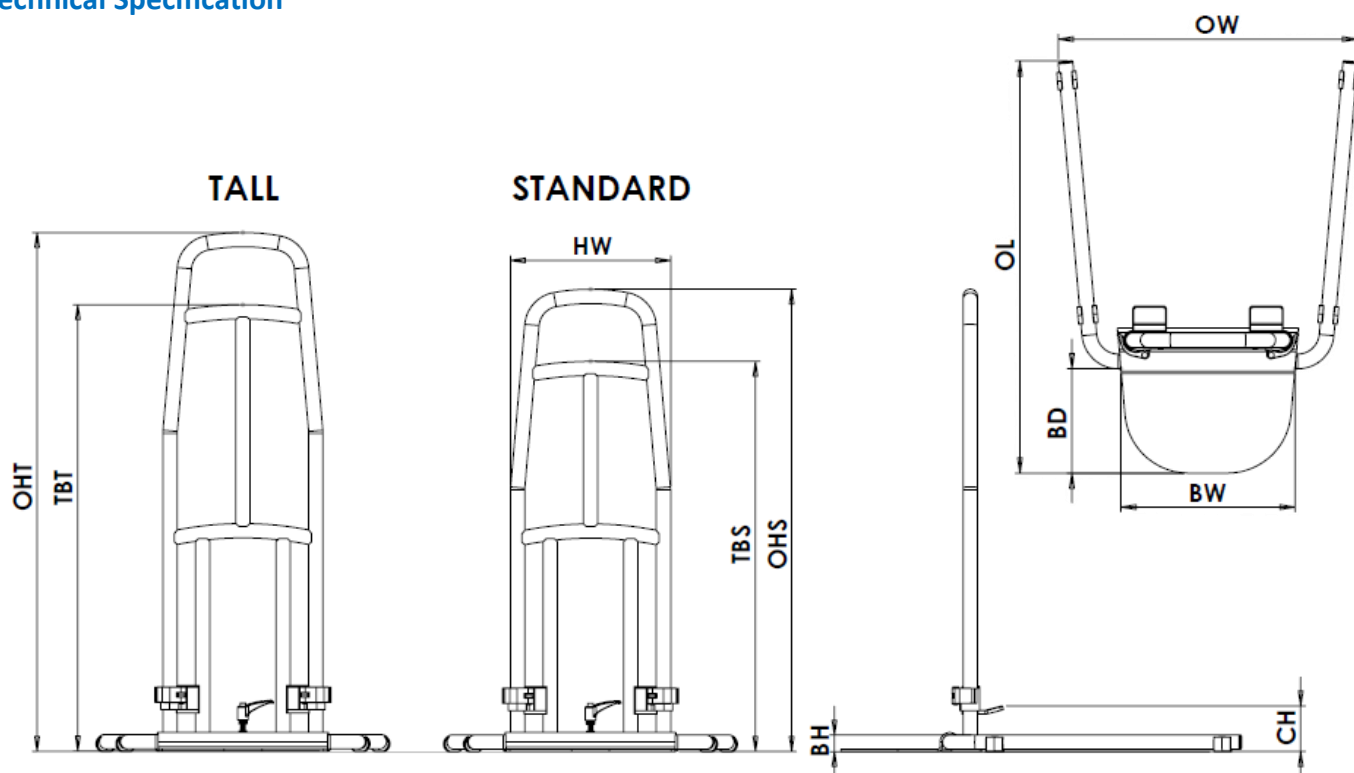
Product Features

- Ergonomic handrail with multiple hand hold positions.
- Two handle heights available to suit a full range of users.
- Simple two step assembly.
- Innovative adjustment clamps allow quick installation.
- Fits most domestic bed types of all sizes.
- UK Patent applied for.



PTDS052 EasyFit Plus⁺ Bedrail

Technical Specification



Symbol	Description	Dimension	
OW	Overall Width	522mm (20 ¹ / ₂ ")	
OL	Overall Length	712mm (28")	
OHS	Overall Height Standard	820mm (32 ¹ / ₄ ")	
OHT	Overall Height Tall	920mm (36 ¹ / ₄ ")	
HW	Handrail Width	285mm (11 ¹ / ₄ ")	
TBS	Top Bar Height Standard	692mm (36 ¹ / ₄ ")	
TBT	Top Bar Height Tall	792mm (27 ¹ / ₄ ")	
CH	Clamp Height Min	Min: 30mm (1 ¹ / ₅ ")	Max:330mm (13")
BW	Base Width	301mm (11 ⁷ / ₈ ")	
BD	Base Depth	180mm (7")	
BH	Base Tube Height	29mm (1 ¹ / ₈ ")	
-	Max User Weight	25st (160kg)	

Installation Information: *(Note: for detailed information refer to User Instructions)*

- Push the handrail onto the base.
- Position the bedrail in the desired location at the side of the bed, slide the clamps up until they contact the underside of the bed frame and lock in position.
- Turn the ratchet lever to provide the final tightening action to ensure the clamps are tight underneath the bed frame.

PTDS052 EasyFit Plus⁺ Bedrail

Safety Precautions

- To avoid possible head entrapment, position the Bedrail at least 320mm (12.5") away from both headboard and footboard.
- Always ensure the Bedrail is firmly clamped to the bed frame.
- Always ensure the mattress is as close to the Bedrail as possible.
- Do not exceed the maximum user weight 25st, 160kg.
- Not suitable for use by children.
- Detach the handle from the base before carrying or storing.
- Do not use on electrically height adjustable beds unless the height adjustment function has been disabled.

Cleaning

- Clean regularly using a general purpose, neutral detergent and warm water.
- Please check the suitability of the cleaning products before use. Do not use abrasive cleaners or cloths as these could permanently damage the surface and invalidate any warranty.
- To disinfect, wipe with a dilute bleach solution and rinse thoroughly with fresh water.
- Always allow the product to dry thoroughly prior to use or storage.

Maintenance

- Periodically check the bedrail is secure and the clamps are tight underneath the bed frame.
- Inspect the product regularly for signs of general wear or damage. Any suspected faults or damage should immediately be reported to the supplier and the product taken out of use.

Spares:

- P11851: Replacement Clamp Kit
- P11863: Spare Parts Kit (Ratchet Lever, Base Feet (x4), Tube End Caps (x2), 'O' Rings (x4))

FAQ's

- How do I choose which height Bedrail is most appropriate for me?
Measure from the floor to the top of your mattress. If this measurement is less than 600mm use the standard height Bed Rail (P11849). If greater than 600mm choose the tall Bed Rail (P11838).

Product Supplied By:

NRS Healthcare Sherwood House, Cartwright Way, Forest Business Park, Bardon Hill, Coalville, Leicestershire. LE67 1UB UK