

Nuvo™ Petite Children's Toilet Frame

Product code: P05218



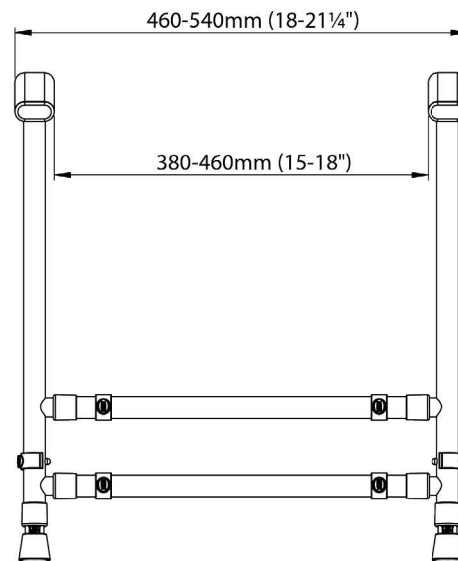
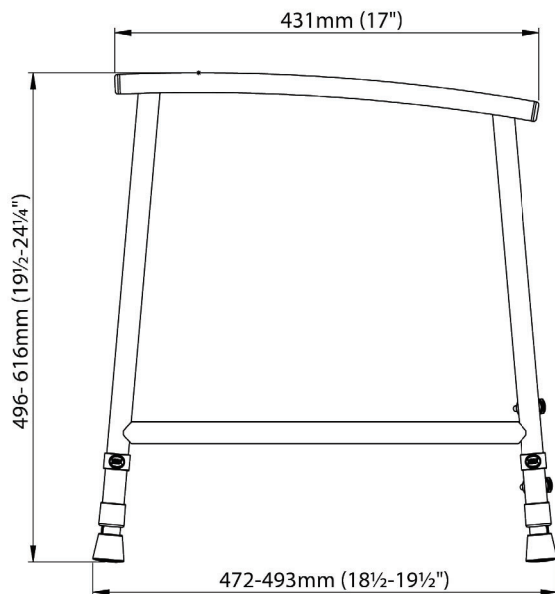
NRS Healthcare's Nuvo™ Petite Children's Toilet Frame is designed to assist a child in lowering onto, and rising from the toilet. It is a secure, comfortable and stable support frame with a contemporary design.

Key features

- Height and width adjustable
- Smooth, comfortable armrests
- Lightweight steel frame, powder coated white
- Non-slip rubber ferrule feet
- Easy assembly without tools
- Maximum user weight 76kg (12st)



Specification



Description	Dimension
Overall Depth	472-493mm (18½ - 19½")
Overall Height	496-616mm (19½ - 24¼")
Overall Width	460-540mm (18-21¼")
Width Between Armrests	380-460mm (15-18")
Handle Length	431mm (17")
Max. User Weight	76kg (12st)

Also available from NRS Healthcare...

Nuvo™ Petite Children's Toilet Platform

Product code: P05229



Enables child to sit comfortably with their feet supported when using a standard toilet.

- Contemporary design with comfortable, smooth handles
- Lightweight steel frame, powder coated white
- Height adjustable platform with rubber mat

For more information or to place an order, please contact your local Area Sales Manager or the NRS Healthcare Customer Service Team:

Telephone: 0345 121 8111

Email: customerservice@nrshealthcare.co.uk

www.nrshealthcare.co.uk



For international enquiries, please telephone: +44 (0)1530 232 292
or email: exportsales@nrshealthcare.co.uk

Leaflet code: P11681