

# User Instructions

## Easylift Over Bed/Chair Table

- N43541 Easylift Over Bed Table Beech Top – Standard Base**
- N43553 Easylift Over Bed Table Beech Top – Standard Base – Low**
- N43565 Easylift Over Bed/Chair Table – Beech Top – Curved Base**
- N43577 Easylift Over Bed/Chair Table – Standard Top – Curved Base**
- N43589 Easylift Over Bed/Chair Table – Tilt Top – Curved Base**
- N85195 Easylift Over bed/Chair Table – Beech Tilt Top – Curved Base**

### General safety Warning

Please ensure these instructions are fully read and implemented. Failure to do so may result in injury. Retain these instructions in a safe place for future reference.

#### 1.0 Intended Use

The Easylift Over Bed Table Range provides users with a firm, flat surface that is suitable for eating, writing, reading, etc. The single column construction and adjustable height makes them suitable for use with most types of beds and chairs. N43565, N43577, N43589 & N85195 are also suitable for use with wheelchairs.

#### 2.0 Safety Precautions

Always ensure that the table is correctly positioned and adjusted to allow it to be used safely and comfortably.

Do not lean or sit on the table.

Do not exceed the safe working load of 25kg evenly distributed.

Do not place hot utensils, crockery etc. directly on the table surface. Maximum heat resistance 65°C (149°F).

Take care when moving the table over rough or uneven surfaces. Lift the table over large ridges and wide gaps.

Take care with tilting table tops not to trap fingers between fixed and moving parts.



### 3.0 Unpacking

Remove packaging and check all parts carefully before assembling the product. Do not assemble if any parts are damaged. All tools required to assemble the product are supplied.

*Take care when handling the Spring Loaded Column.*

Contents:

- Base Assembly (Castors fitted)
- Lift Column Assembly
- Top Assembly (Fixed or Split Top)
- M8 x 50mm Bolts x 3
- M8 x 15mm Cap Screws x 4
- M8 Washers x 7
- Split Washer x 3
- Spanner
- Allen Key

### 4.0 Assembly

The column contains a compression spring that will open rapidly, in the direction shown (figure 1), if compressed during assembly. Handle with care.

Once assembled the weight of the table top ensures that the 'rapid expansion' does not occur during use.

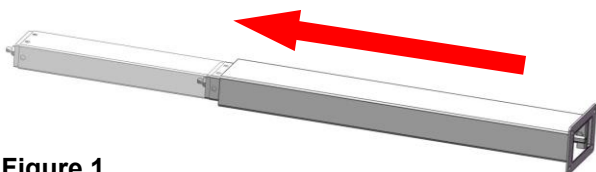


Figure 1

To attach spring loaded column:

- Place the base assembly on its side and locate the spring column in position, figure 2.

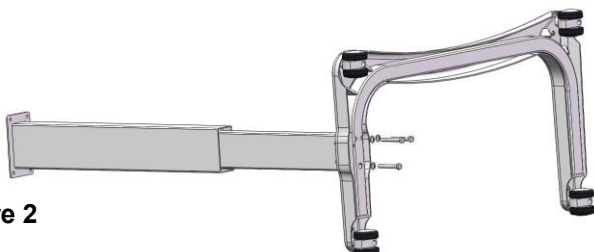
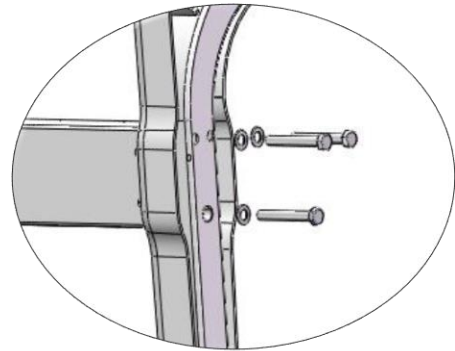


Figure 2

- Secure using the M8 x 50 Bolts and the Split Washers, figure 3.



To attach the table top:

- Place the table top upside down on the floor.

*Take care when doing this with N43589 & N85195 to not allow the hinged section to swing away from the frame. This could cause injury and damage the tilt mechanism.*

- Locate the column and base assembly in position, figure 4.
- Secure using the M8 x 15 Cap Screws and M8 Washers.
- Allow the table to extend to the maximum height position before returning to its castors.

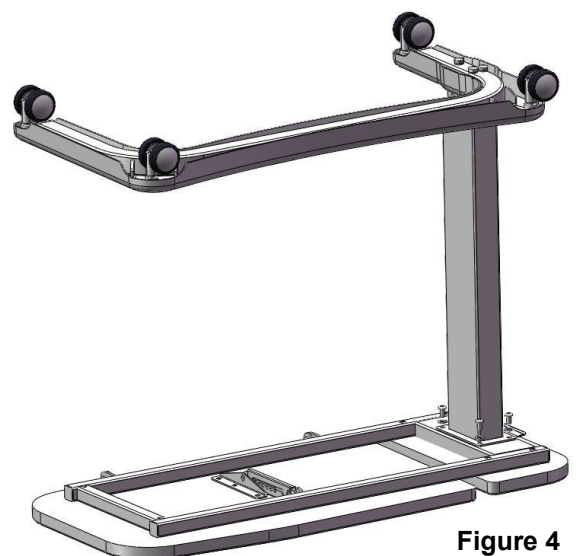


Figure 4

## 5.0 Adjustments

### Height

To lower the table top:

- Lift the lever (A) on the underside of the table near the spring loaded column, figure 6.
- Push down on the table top to lower to desired height.
- Release lever to lock in position.

To raise the table top:

- Pull the table top upwards. It is advisable to support the base with your foot when lifting the top.



Figure 6

### Tilt - Models N43589 & N85195 Only

The tilt angle section of the table top can be adjusted to the following angles; 24°, 31°, 37°, 42° & 47°.

*Take care not to trap fingers between the fixed and moving parts of the table when operating the tilt mechanism.*

To increase the tilt angle:

- Hold the edge of the table (B), figure 7.
- Lift the table top until the ratchet (C) engages at the required position.

To reduce the tilt angle:

- Hold the edge of the table (B), figure 7.
- Lift the table top as far as it will go to release the ratchet mechanism.
- Lower the table top back to the flat, horizontal position.



Figure 7

## 6.0 Cleaning

Clean regularly using a general purpose, neutral detergent and warm water.

Please check the suitability of the cleaning product before use. Do not use abrasive cleaners or cloths as this will permanently damage the surface and invalidate any warranty.

To disinfect, wipe with a dilute bleach solution and rinse thoroughly with fresh water.

Allow product to dry thoroughly prior to use/storage.

Do not use phenol based cleaning fluids.

Do not use hot water. The table top has a maximum heat resistant temperature of 65°C (149°F).

## 7.0 Maintenance

Check the castors are securely fitted and free to rotate. Periodically, remove build-up of dirt/debris.

Check the height adjustment mechanism functions smoothly and that the table locks securely in position over the full range of height.

Check the tilt adjustment operates smoothly and locks securely in position.

Inspect product regularly for signs of wear. Any suspected faults or damage should immediately be reported to the supplier and the product taken out of service.

### **NRS Healthcare**

Sherwood House, Cartwright Way,  
Forest Business park, Bardon Hill,  
Coalville, Leicestershire, LE67 1UB, UK

## 8.0 Product Disposal

Product should be thoroughly cleaned prior to disposal.

Product is manufactured from metal and plastic and can be disposed of through Local Authority Household Waste and Recycling Centres or through Local Trade Waste Collectors.

## 9.0 Product Guarantee

NRS Healthcare, guarantee this product for a period of 12 months from the date of purchase against faulty materials and workmanship. This guarantee does not cover; abuse, misuse, interference or tampering with any part of the product.

Any guarantee issued by NRS Healthcare does not affect your statutory rights.

Tel. Head Office: 0330 100 0098

Tel. Customer Services: 0345 121 8111

Email: [customerservices@nrshealthcare.co.uk](mailto:customerservices@nrshealthcare.co.uk)

**NRS Healthcare** is a Leading Supplier of Community Equipment and Daily Living Aids, to view our full range, visit our website:

UI/Easylift Over Bed Table/07/17/Iss5 [www.nrshealthcare.co.uk](http://www.nrshealthcare.co.uk)