

Easyfit Bedguard

Description	Product Code
NRS Easyfit Bedguard	P42434
NRS Easyfit Bedguard - Black	S57445



Features and Benefits

- Supplied part assembled - no tools needed
- Fully adjustable base to suit different mattress widths
- Adjustable handrail length for convenience
- Available in black or white to suit different decor
- Suits divan and most slatted frame beds

Easyfit Bedguard

Product Description

A lightweight, robust and fully adjustable bedguard that helps prevent users from rolling out of bed. Supplied part-assembled in either black or white, the Bedguard has two main parts: handrail and frame. To assemble, you only need to push the two parts together and adjust each of them using simple button clips. No tools are needed.

The bedguard frame has crossbars which help it to straddle the slats in most slatted beds. The bedguard fits securely under the mattress, so it does not need straps.

Once you fit the frame under the mattress, you may then remove the handrail from the frame to allow easier access or for changing bedding, then simply push the handrail back into position.

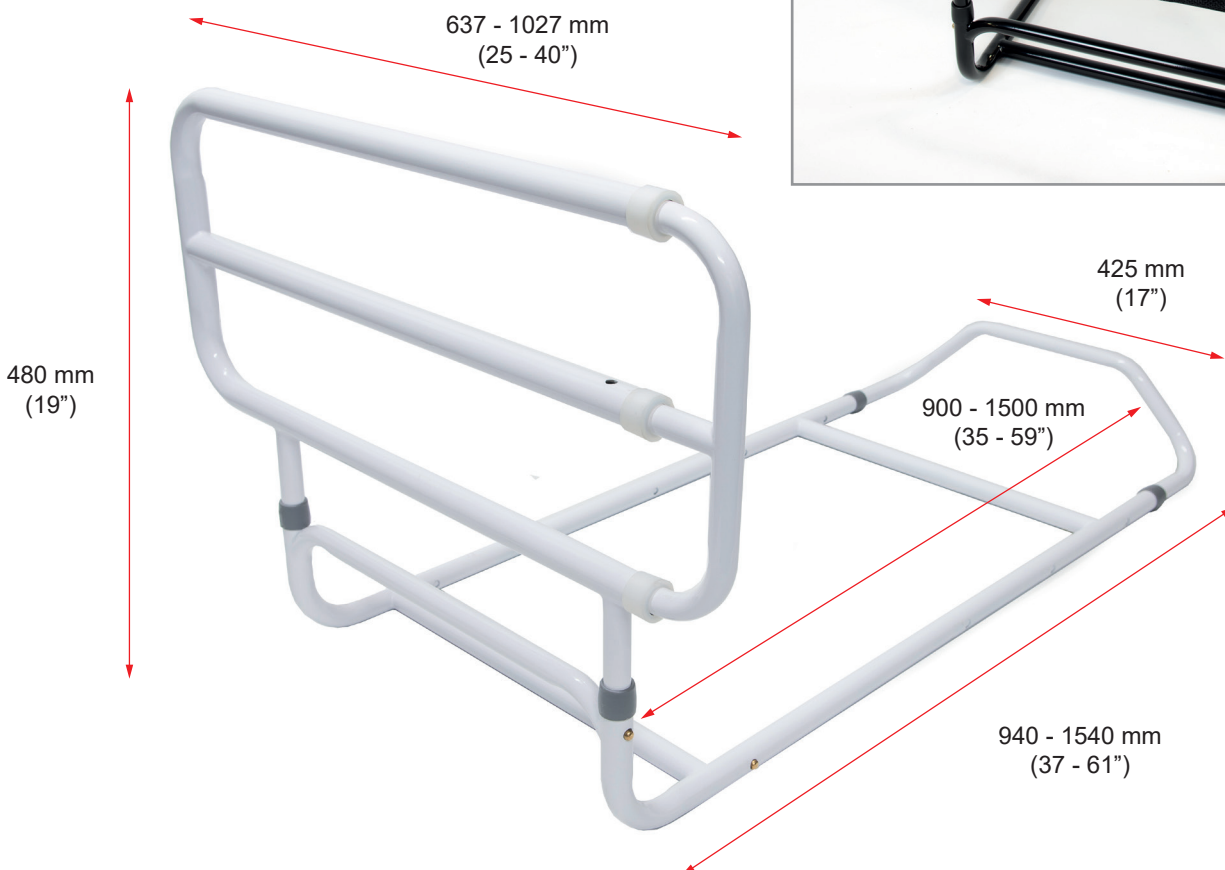
We supply a removable netting with the handrail. Held in position by hook and loop fastening, this netting contains pockets on each side to hold small objects such as magazines or glasses.

Note: Not suitable for children and not suitable for height adjustable or profiling beds.

Product Technical Details

- Powder coated metal construction.
- Two handrail length settings of 637 mm and 1027 mm.
- Four frame adjustments to fit single (900 mm), small double (1200 mm), standard double (1350 mm) and king size (1500 mm) beds.

Note: All dimensions are subject to manufacturing tolerances and may vary slightly.



Replaces

- Nothing. The white version has been available for several years. The black version is new for 2023.

Spares

- P42744 Spare Mesh Cover (white)

Standard Features

- NRS guarantee - refer to the Terms and Conditions on our website
- Designed and developed in the UK