



Seahorse Plus Toileting & Shower Chair

The Seahorse Plus enables comfortable and safe toileting and bathing for children aged 5+ to adult



Designed & developed by NRS Healthcare

The Seahorse Plus inspires confidence and makes toileting and bathing a more manageable experience for both the carer and user.

Suitable for ambulant and non-ambulant users who require postural support, as well as users with mild to severe cognitive impairment or reduced motor function.

Fully adjustable for user security and comfort the Seahorse Plus can quickly and easily be positioned for use over a toilet or bath, as well as in the shower. It can also be used with a suitable hoist. Please contact the Customer Service team for advice on compatible hoists.

Available in three sizes: small, medium and large, with a range of comfortable PU liners to accommodate children as they grow, from 5 years to adult.

A range of optional accessories are available, including; liners, harnesses and anterior supports.

Product features

Tilt-in-Space



Tilt-in-Space: The innovative gas-assisted tilting mechanism enables 40° of rotation. To recline the seat simply press the red handle buttons then guide the user from a sitting position to fully reclined for safe, comfortable showering.



100mm seat height adjustment range enables optimal set up to suit most toilets and carer heights.





Comfortable removable armrests that can be substituted for the optional flip-up anterior supports.



Height and depth adjustable headrest with a lateral adjustment feature, to allow for variations in user head position.



Height adjustable footrests with soft heel guard and foot straps that feature a new lockable, flip up design to make entry and exit easy.



Multi adjustable lap-strap with central buckle and tightening feature.



Removable pommel / splash-guard aid user security and positioning.



Removable commode pan.

Seahorse Plus Optional Accessories

A range of optional accessories have been designed around the user and carer to offer additional safety, security and maximum comfort.



Seahorse Plus Liners:

Easy to fit, these soft PU foam liners have been designed for comfort and hygiene. The liners can be supplied in different thicknesses, allowing the chair to accommodate the user as they grow.

Small Thick Liner: N72310

Small Thin Liner: N72322

Medium Thick Liner: N72334

Medium Thin Liner: N72346

Large Extra Thick Liner: N84981

Large Thick Liner: N72668

Large Thin Liner: N72679



Chest Harness:

Optional Poziform™ Chest Harness for users requiring more secure positioning when using the Seahorse Plus Toileting and Shower Chair.

Small: N72139

Medium: N72140

Large: N72723



Butterfly Harness:

Particularly suitable for women the optional Poziform™ Butterfly Harness offers more secure positioning when using the Seahorse Plus Toileting and Shower Chair.

Small: N72152

Medium: N72164

Large: N72759

**Seahorse Plus Flip-up Anterior Support
(Replaces Armrests):**

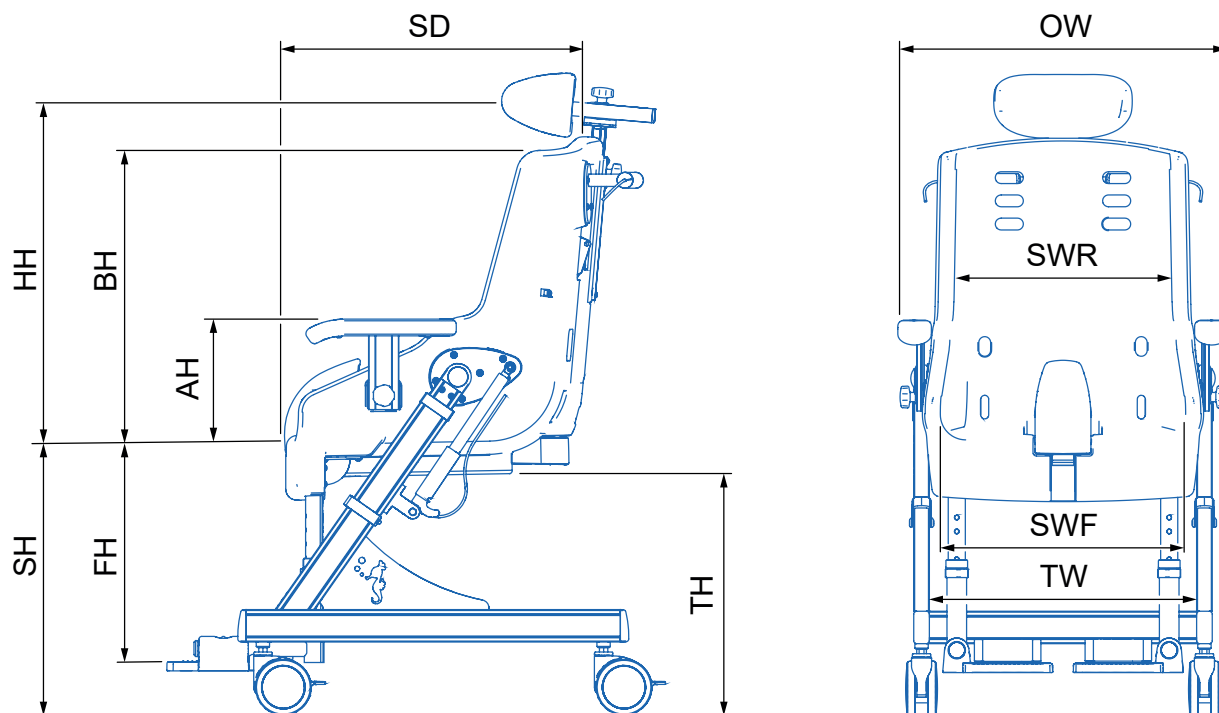
The Anterior Support helps with positioning and aids the user during the toileting process.

Small: N72127

Medium / Large: N72188



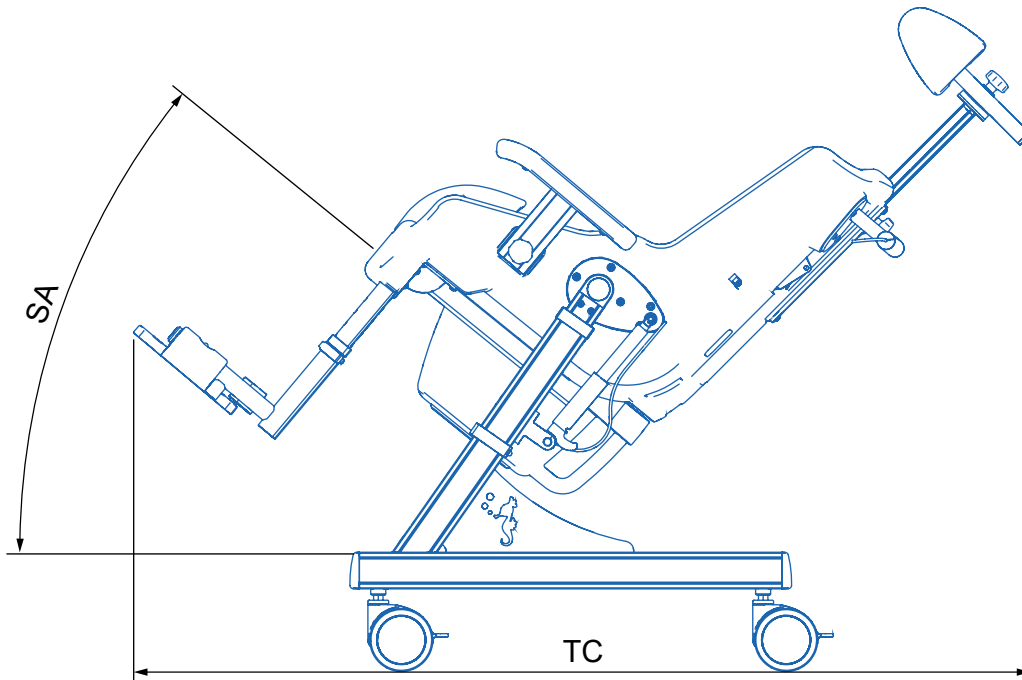
Seahorse Plus Dimensions



Small Seahorse Plus N72012

Medium

Feature	Ref	Thick Liner N72310		Thin Liner N72322		No Liner		Thick Liner N72334	
		mm	in	mm	in	mm	in	mm	in
Seat Depth	SD	327mm	12 ³ / ₄ "	355mm	14"	374mm	14 ³ / ₄ "	425mm	16 ³ / ₄ "
Rear Width of Seat	SWR	258mm	10"	294mm	11 ¹ / ₂ "	332mm	13"	303mm	12"
Front Width of Seat	SWF	294mm	11 ¹ / ₂ "	334mm	13 ¹ / ₄ "	365mm	14 ¹ / ₄ "	353mm	14"
Height of Back	BH	391mm	15 ¹ / ₂ "	391mm	15 ¹ / ₂ "	414mm	16 ¹ / ₄ "	490mm	19 ¹ / ₄ "
Min Headrest height	HH	456mm	18"	456mm	18"	475mm	18 ¹ / ₂ "	562mm	22"
Max Headrest height	HH	631mm	25"	631mm	25"	650mm	25 ¹ / ₂ "	737mm	29"
Min height of Seat	SH	540mm	21 ¹ / ₂ "	540mm	21 ¹ / ₂ "	521mm	20 ¹ / ₂ "	521mm	20 ¹ / ₂ "
Max height of Seat	SH	648mm	25 ¹ / ₂ "	648mm	25 ¹ / ₂ "	629mm	24 ³ / ₄ "	625mm	24 ¹ / ₂ "
Min height of Footrests	FH	275mm	10 ³ / ₄ "	275mm	10 ³ / ₄ "	255mm	10"	325mm	12 ³ / ₄ "
Max height of Footrests	FH	375mm	14 ³ / ₄ "	375mm	14 ³ / ₄ "	355mm	14"	425mm	16 ³ / ₄ "
Total width	OW	532mm	21"	532mm	21"	532mm	21"	586mm	23"
Total depth (upright)	OD	807mm	31 ³ / ₄ "	807mm	31 ³ / ₄ "	807mm	31 ³ / ₄ "	860mm	33 ³ / ₄ "
Max turning circle (tilted)	TC	1209mm	47 ¹ / ₂ "	1209mm	47 ¹ / ₂ "	1209mm	47 ¹ / ₂ "	1413mm	55 ³ / ₄ "
Min height over toilet	TH	461mm	18"	461mm	18"	461mm	18"	442mm	17 ¹ / ₂ "
Max height over toilet	TH	569mm	22 ¹ / ₂ "	569mm	22 ¹ / ₂ "	569mm	22 ¹ / ₂ "	551mm	21 ³ / ₄ "
Min width over toilet	TW	426mm	16 ³ / ₄ "	426mm	16 ³ / ₄ "	426mm	16 ³ / ₄ "	478mm	18 ³ / ₄ "
Armrest to Seat	AH	179mm	7"	179mm	7"	199mm	8"	214mm	8 ¹ / ₂ "
Seat angle	SA	0°-40°		0°-40°		0°-40°		0°-40°	
Max User Weight		64kg	10st	64kg	10st	64kg	10st	102kg	16st
Weight (including liners)		21kg	46.3lbs	20.2kg	44.5lbs	18.7kg	41.2lbs	26.1kg	57.5lbs



Seahorse Plus N72024				Large Seahorse Plus N72036							
Thin Liner N72346		No Liner		Extra Thick Liner N84981		Thick Liner N72668		Thin Liner N72679		No Liner	
457mm	18"	470mm	18½"	455mm	18"	455mm	18"	455mm	18"	488mm	19¼"
339mm	13½"	378mm	15"	375mm	14¾"	411mm	16"	447mm	17½"	477mm	19"
393mm	15½"	423mm	16¾"	420mm	16½"	460mm	18"	500mm	19¾"	530mm	20¾"
490mm	19¼"	514mm	20¼"	549mm	21½"	549mm	21½"	549mm	21½"	572mm	22½"
562mm	22"	584mm	23"	620mm	24½"	620mm	24½"	620mm	24½"	641mm	25"
737mm	29"	759mm	30"	795mm	31½"	795mm	31½"	795mm	31½"	816mm	32"
521mm	20½"	501mm	19½"	521mm	20½"	521mm	20½"	521mm	20½"	501mm	19½"
625mm	24½"	609mm	24"	629mm	24¾"	629mm	24¾"	629mm	24¾"	609mm	24"
325mm	12¾"	305mm	12"	325mm	12¾"	325mm	12¾"	325mm	12¾"	305mm	12"
425mm	16¾"	405mm	16"	450mm	17¾"	450mm	17¾"	450mm	17¾"	430mm	17"
586mm	23"	586mm	23"	692mm	27"	692mm	27"	692mm	27"	692mm	27"
860mm	33¾"	860mm	33¾"	877mm	34½"	877mm	34½"	877mm	34½"	877mm	34½"
1413mm	55¾"	1413mm	55¾"	1488mm	58½"	1488mm	58½"	1488mm	58½"	1488mm	58½"
442mm	17½"	442mm	17½"	442mm	17½"	442mm	17½"	442mm	17½"	442mm	17½"
551mm	21¾"	551mm	21¾"	550mm	21¾"	550mm	21¾"	550mm	21¾"	550mm	21¾"
478mm	18¾"	478mm	18¾"	592mm	23¼"	592mm	23¼"	592mm	23¼"	592mm	23¼"
214mm	8½"	234mm	9"	214mm	8½"	214mm	8½"	214mm	8½"	234mm	9"
0°-40°		0°-40°		0°-40°		0°-40°		0°-40°		0°-40°	
102kg	16st	102kg	16st	152kg	24st	152kg	24st	152kg	24st	152kg	24st
24.7kg	54.5lbs	22.3kg	49.2lbs	29.0kg	63.9lbs	28.3kg	62.4lbs	27.7kg	61.1lbs	24.8kg	54.7lbs

Seahorse Plus Packages



The following Seahorse Plus packages have been created to support boys and girls as they grow. The chest harness is designed for boys and the butterfly harness for girls, for maximum comfort as they develop.

Use the codes below to receive a discounted price when ordering Seahorse Plus packages.

N83320	Boys Small Seahorse Package
Included in Package	
Seahorse Plus Toileting & Shower Chair Small	
Anterior Support Small	
Chest Harness Small	
Small Seat & Back Liner Thick - Size 1	
Small Seat & Back Liner Thin - Size 2	

N83332	Girls Small Seahorse Package
Included in Package	
Seahorse Plus Toileting & Shower Chair Small	
Anterior Support Small	
Butterfly Harness Small	
Small Seat & Back Liner Thick - Size 1	
Small Seat & Back Liner Thin - Size 2	

N83344	Boys Medium Seahorse Package
Included in Package	
Seahorse Plus Toileting & Shower Chair Medium	
Anterior Support Medium / Large	
Chest Harness Medium	
Medium Seat & Back Liner Thick - Size 3	
Medium Seat & Back Liner Thin - Size 4	

N83356	Girls Medium Seahorse Package
Included in Package	
Seahorse Plus Toileting & Shower Chair Medium	
Anterior Support Medium / Large	
Butterfly Harness Medium	
Medium Seat & Back Liner Thick - Size 3	
Medium Seat & Back Liner Thin - Size 4	

N83368	Boys Large Seahorse Package
Included in Package	
Seahorse Plus Toileting & Shower Chair Large	
Anterior Support Medium / Large	
Chest Harness Large	
Large Seat & Back Liner Extra Thick - Size 7	
Large Seat & Back Liner Thick - Size 5	
Large Seat & Back Liner Thin - Size 6	

N83379	Girls Large Seahorse Package
Included in Package	
Seahorse Plus Toileting & Shower Chair Large	
Anterior Support Medium / Large	
Butterfly Harness Large	
Large Seat & Back Liner Extra Thick - Size 7	
Large Seat & Back Liner Thick - Size 5	
Large Seat & Back Liner Thin - Size 6	

For more information or to place an order, please contact your local Regional Sales Manager or the NRS Healthcare Customer Service Team:

Telephone: 0345 121 8111

Email: customerservice@nrshealthcare.co.uk

www.nrshealthcare.co.uk

For international enquiries, please telephone: +44 (0)1530 232 292

or email: exportsales@nrshealthcare.co.uk

