

Nuvo™ Petite Children's Toilet Platform

Product code: P05229



NRS Healthcare's Nuvo™ Petite Children's Toilet Platform is designed to enable children who find it difficult to reach a standard toilet and sit with their feet on the floor.

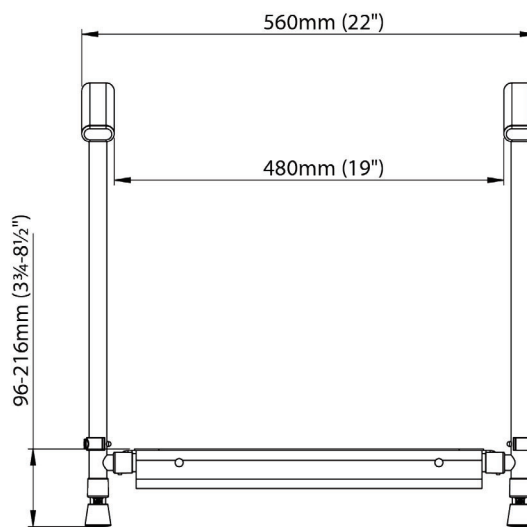
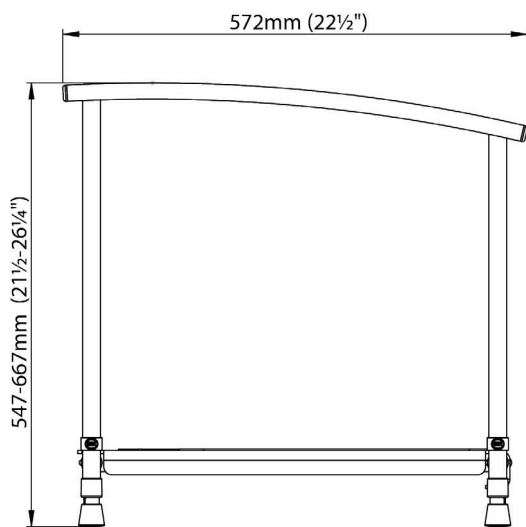
The platform provides a step up and a comfortable base on which to rest their feet.



Key features

- Contemporary design with comfortable, smooth handles
- Lightweight steel frame, powder coated white
- Height adjustable platform with slip-resistant rubber mat
- Stable design with non-slip rubber ferrule feet
- Easy assembly without tools
- Maximum user weight 76kg (12st)

Specification



Description	Dimension
Overall Width	560mm (22")
Overall Height	547-667mm (21½ - 26¼")
Overall Depth	572mm (22½")
Width Between Armrests (internal)	480mm (19")
Platform Height	96-216mm (3¾ - 8½")
Max. User Weight	76kg (12st)

Also available from NRS Healthcare...

Nuvo™ Petite Children's Toilet Frame

Product code: P05218



- Assists a child in lowering down onto, and rising up from the toilet.
- Smooth, comfortable armrests
- Lightweight steel frame, powder coated white
- Height and width adjustable
- Non-slip rubber ferrule feet
- Easy assembly without tools
- Maximum user weight 76kg (12st)

For more information or to place an order, please contact your local Area Sales Manager or the NRS Healthcare Customer Service Team:

Telephone: 0345 121 8111

Email: customerservice@nrshealthcare.co.uk

www.nrshealthcare.co.uk



For international enquiries, please telephone: +44 (0)1530 232 292
or email: exportsales@nrshealthcare.co.uk

Leaflet code: P11679