



NRS Community Bed Grab Handle MK2

The NRS Community Bed Grab Handle MK2 provides safe support getting in and out of a community bed.



Designed & Developed by NRS Healthcare

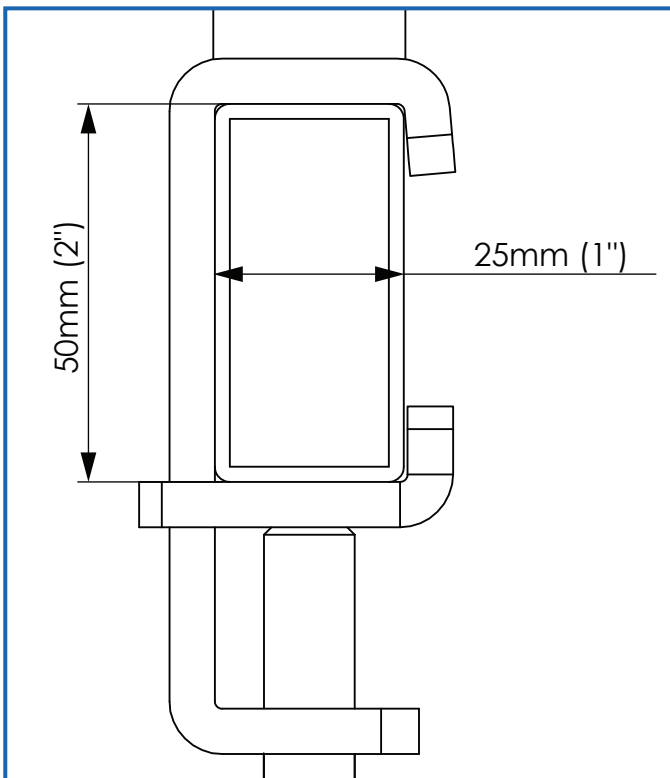
The NRS Community Grab Handle MK2 is easy to attach to most community beds. It provides a safe handhold to assist users getting in and out of bed.

The NRS Community Grab Handle MK2 has been redesigned with an improved clamp to increase rigidity and security.

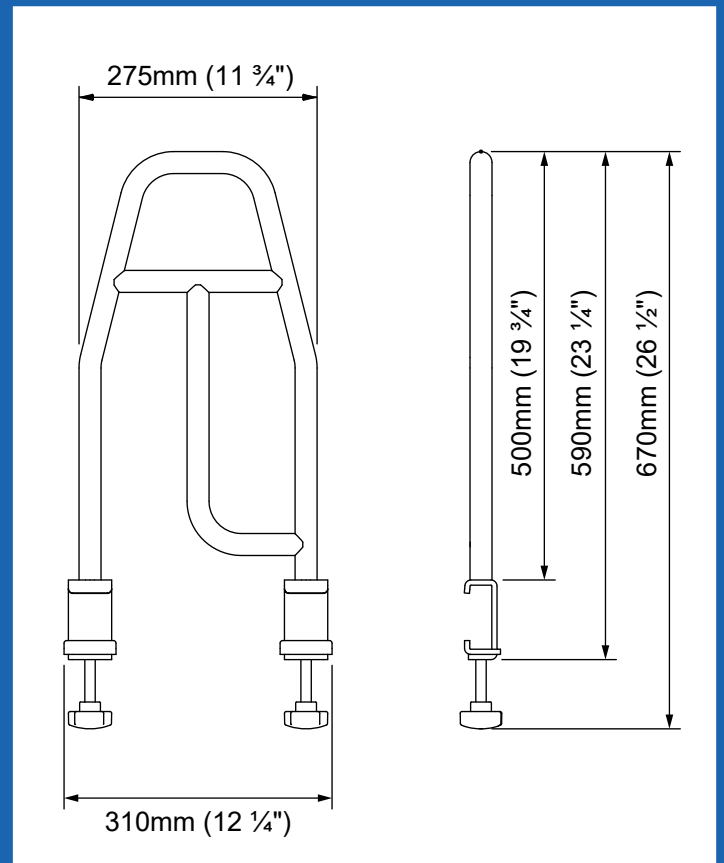
New and Improved Product Features

- Increased MUW 160Kg / 25 Stone
- Improved clamp design ensures greater rigidity
- New clamp protects the bed from damage

Designed to fit beds with a 25 x 50mm bed frame tube.



Product Dimensions



For more information or to place an order, please contact your local Regional Sales Manager or the NRS Healthcare Customer Service Team:

Telephone: 0345 121 8111

Email: customerservice@nrshealthcare.co.uk

www.nrshealthcare.co.uk

For international enquiries, please telephone: +44 (0)1530 232 292

or email: exportsales@nrshealthcare.co.uk

