

User Instructions

Economy Toilet Frame

M00869	17" (430mm)	M87203	19" (480mm)	M00870	Width Adjustable
---------------	--------------------	---------------	--------------------	---------------	-------------------------

General Safety Warning

Please ensure these instructions are fully read and implemented. Failure to do so may result in injury. Retain these instructions in a safe place for future reference.

1.0 Intended Purpose

The Economy Toilet Frame is designed to assist users when lowering onto and rising from the toilet. It provides comfortable and stable support when getting on and off the toilet and is suitable for use in conjunction with a raised toilet seat.

2.0 Safety Precautions

Do not exceed the maximum user weight 30st 190kg.

Do not attempt to stand or climb on the product.

Ensure all legs are set at equal height to avoid rocking.

3.0 Unpacking

The toilet frame is delivered fully assembled. Remove packaging and check all parts carefully. If any parts appear damaged do not use and contact your supplier immediately.

4.0 Fitting Instructions

Place the frame around the toilet ensuring it is pushed back as close to the toilet as possible, figure 1.

To adjust the height (figure 2):

- Remove the 'e-clips' and slide the legs to the desired height.
- Align the holes and re-insert the 'e-clips'.

Ensure that all four legs are secured at the same height to prevent rocking and instability.

To adjust the width (M00870 Only, figure 3):

- Remove the 'e-clip' and slide the crossbar to the desired position.
- Align the holes and re-insert the 'e-clip'.

Maximum User Weight



Figure 1 – M00869

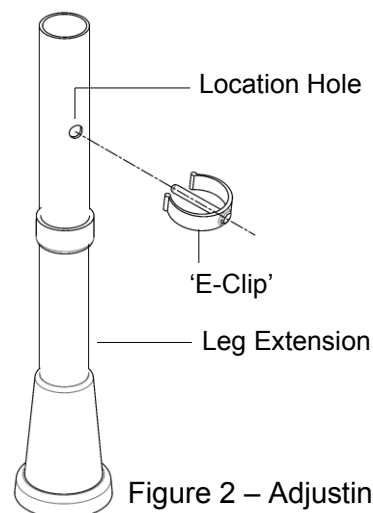


Figure 2 – Adjusting the height

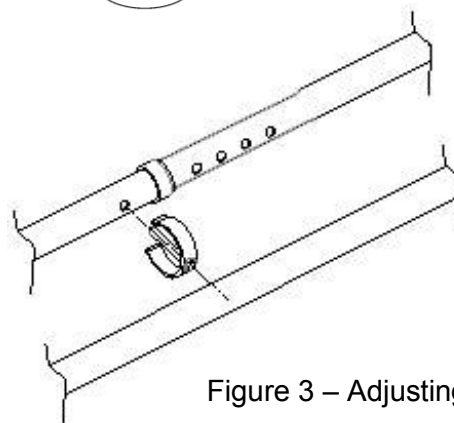


Figure 3 – Adjusting the width

5.0 Optional Floor Fixing Kit

The floor fixing kit provides a permanent fixing solution for the economy toilet frames. It helps to prevent the toilet frame from moving out of position or becoming unstable during use.

M24308 – Economy Range Floor Fixing Kit

Available as an accessory from NRS Healthcare. Call Customer Services 0345 121 8111 or visit www.nrshealthcare.co.uk



5.1 Fitting Instructions

Adjust the toilet frame to the desired width, see Section 4.

To fit the legs:

- Remove the original leg extensions by removing the 'e-clips' and sliding them out of the frame.
- Insert the four leg extensions and position at the desired height.
- Align the holes and insert the 'e-clip'.

Ensure that all four legs are secured at the same height to prevent rocking and instability.

To fix to the floor:

Choose a fixing method which is suitable for the construction of the floor. A total of 12 screws must be used, 3 per leg, see figure 4.

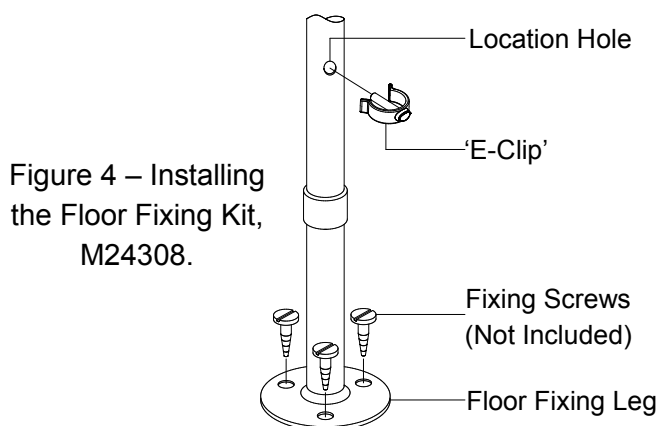


Figure 4 – Installing the Floor Fixing Kit, M24308.

NRS Healthcare

Sherwood House, Cartwright Way,
Forest Business park, Bardonia Hill,
Coalville, Leicestershire, LE67 1UB, UK

6.0 Cleaning

Clean regularly using a general purpose, neutral detergent and warm water.

Please check the suitability of the cleaning products before use. Do not use abrasive cleaners or cloths as these could permanently damage the surface and invalidate any warranty.

To disinfect, wipe with a dilute bleach solution and rinse thoroughly with fresh water.

Allow the product to dry fully prior to use/storage.

7.0 Maintenance

Check that all fixing clips are inserted correctly and that there is no excessive movement.

If a floor fixing kit has been fitted, check the fixing screws are secure.

Inspect the product regularly for signs of wear or damage, pay particular attention to the condition of the ferrules.

Any suspected faults or damage should immediately be reported to the supplier and the product taken out of use.

8.0 Product Disposal

Product should be thoroughly cleaned prior to disposal.

Product is manufactured from metal and plastic and can be disposed of through Local Authority Household Waste and Recycling Centres or through local Trade Waste Collectors.

9.0 Product Guarantee

NRS Healthcare guarantee this product for a period of 12 months, from the date of purchase, against faulty materials and workmanship. This guarantee does not cover; abuse, misuse, interference or tampering with any part of the product.

Any guarantee issued by NRS Healthcare does not affect your statutory rights.



Tel. Head Office: 0330 100 0098

Tel. Customer Services: 0345 121 8111

Email: customerservices@nrshealthcare.co.uk

NRS Healthcare is a Leading Supplier of Community Equipment and Daily Living Aids, to view our full range, visit our website:

www.nrshealthcare.co.uk