

P64491 - NUVO Mobile Shower Chair

The NUVO Mobile Shower Chair provides comfortable mobile seating for use when showering



Designed & Developed by NRS Healthcare

The NUVO Mobile shower chair provides a comfortable, secure seat for use in showers or wet-rooms.

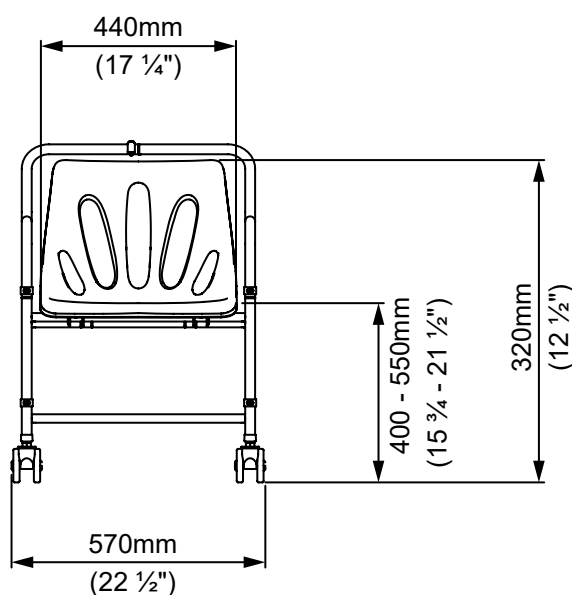
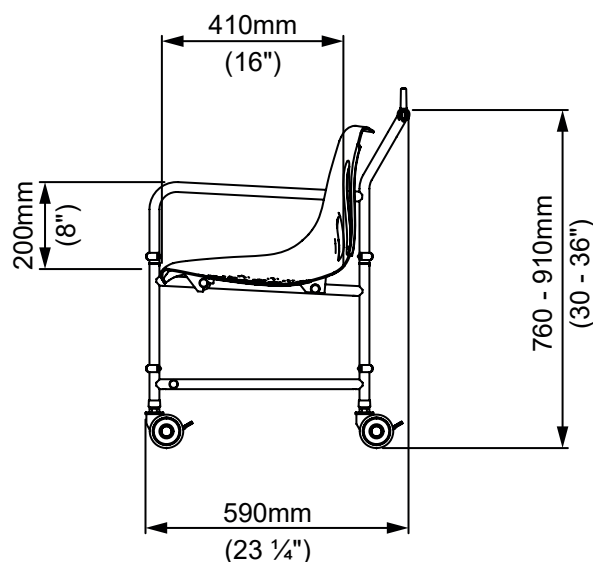
The NUVO Mobile shower chair features a contemporary appearance, easy adjustment and secure castors and a highly durable frame.

New and Improved Product Features

- MUW 166Kg / 26 Stone
- Corrosion resistant stainless steel frame
- Height adjustable to suit a wide range of users
- High-quality castors with rubber tyres and brakes for good security



Product Dimensions



For more information or to place an order, please contact your local Regional Sales Manager or the NRS Healthcare Customer Service Team:

Telephone: 0345 121 8111

Email: customerservice@nrshealthcare.co.uk

www.nrshealthcare.co.uk

For international enquiries, please telephone: +44 (0)1530 232 292

or email: exportsales@nrshealthcare.co.uk

