

N53909

Mowbray Lite Plus

⚠ General Safety Warning ⚠

Please make sure that you read and follow these instructions carefully. Keep these instructions in a safe place for future reference.

Maximum User Weight



1. INTENDED USE

The Mowbray Lite Plus is designed to assist users when lowering onto and rising from the toilet. The frame provides a stable support when getting on and off the toilet and the moulded seat offers a comfortable seating position. The seat lid adds discreet style and helps to improve cleanliness and hygiene.

2. SAFETY

WARNING: The maximum user weight must not be more than 190Kg (30st).

DO NOT: attempt to stand or climb on the product.

MAKE SURE: all legs are set at equal height to avoid rocking.

3. UNPACKING

Remove the packaging and check all parts carefully. Contact your supplier immediately if parts are missing or damaged and do not try and assemble.

3.1 Contents:

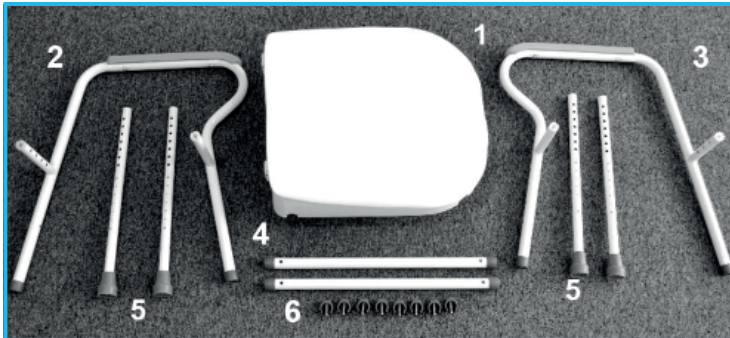


Fig 1: Contents

1. Toilet Seat & Lid x 1
2. LH Frame x 1
3. RH Frame x 1
4. Crossbar x 2
5. 'E-clip' x 8

4. ASSEMBLY/INSTALLATION

4.1 To fit the crossbars:

Push the crossbars onto the tube stubs on the LH & RH frames.

Set to the desired width, align the holes and insert the 'e-clips'.

Ensure that both cross bars are set to the same width.

4.2 To fit the legs:

Insert the leg extensions inside the LH & RH frames and slide to the desired height.

Align the holes and insert the 'e-clips'.

Use the markings on the legs to ensure that all four legs are secured at the same height to prevent rocking and instability.



Fig 2: Seat Lid Open



Fig 3: Seat Lid Closed

4.3 To fit the seat:

Place the seat on the frame in the correct position, with the front of the seat and curve of the armrests facing forwards (Fig 3).

Push down firmly on the seat until it snaps into position on both the front and rear cross bars.

4.4 To install the Mowbray Lite Plus:

Place the frame over the toilet ensuring that the internal splash guard is central over the toilet bowl (Fig 2).

5. OPTIONAL FLOOR FIXING KIT

The floor fixing kit provides a permanent fixing solution for the Mowbray Lite Plus. It helps to prevent the frame from moving out of position or becoming unstable during use.

F11572 – Mowbray Floor Fixing Kit



Available as an accessory from NRS Healthcare. For more details please visit our website:

www.healthcarepro.co.uk or call Customer Services.

5.1 Fitting Instructions

Adjust the toilet frame to the desired width, see Section 4.

To fit the legs:

Remove the original leg extensions by removing the 'e-clips' and sliding them out of the frame.

Insert the four leg extensions and position at the desired height.

Align the holes and insert the 'e-clip'.

Ensure that all four legs are secured at the same height to prevent rocking and instability.

Please note the height cannot be adjusted once the legs are secured to the floor.

To fix to the floor:

Choose a fixing method which is suitable for the construction of the floor. A total of 12 screws must be used, 3 per leg (Fig 4).

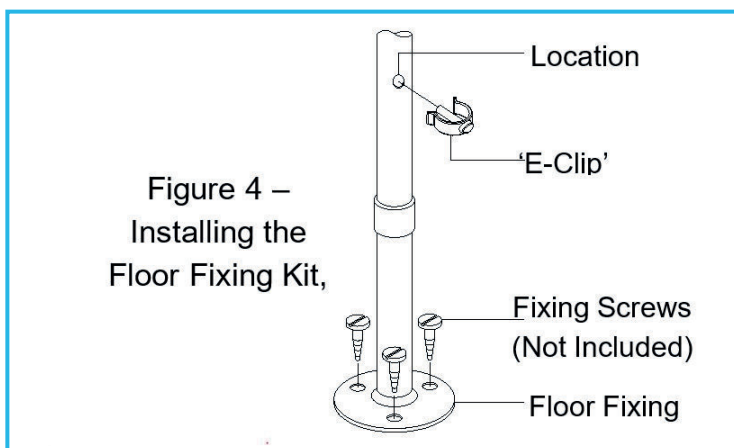


Fig 4: Floor Fixing Kit

6. MAINTENANCE

Check that all fixing clips are inserted correctly and that there is no excessive movement.

If a floor fixing kit has been fitted, check the fixing screws are secure.

Inspect the product regularly for signs of wear or damage, pay particular attention to the condition of the ferrules.

Any suspected faults or damage should immediately be reported to the supplier and the product taken out of use.

7. CLEANING INSTRUCTIONS.

Clean regularly using a general purpose, neutral detergent and warm water.

Please check the suitability of the cleaning products before use. Do not use abrasive cleaners or cloths as these could permanently damage the surface and invalidate any warranty.

To disinfect, wipe with a dilute bleach solution and rinse thoroughly with fresh water.

Allow the product to dry fully prior to use/storage.

8. PRODUCT DISPOSAL

This product must be thoroughly cleaned/sterilised prior to disposal.

This product is manufactured from metal & plastic and can be disposed of through Local Authority Household Waste and Recycling Centres or through Local Trade Waste Collectors.

9. PRODUCT GUARANTEE

NRS Healthcare guarantee this product for a period of 12 months, from the date of purchase, against faulty materials and workmanship.

This guarantee does not cover; abuse, misuse, interference or tampering with any part of the product.

Any guarantee issued by NRS Healthcare does not affect your statutory rights.

NRS HEALTHCARE Sherwood House, Cartwright Way, Forest Business Park
Bardon Hill, Coalville, Leicestershire, LE67 1UB, UK.

Tel: Customer Services: 0345 121 8111

Email: customerservice@nrshealthcare.co.uk

NRS Healthcare is a leading supplier of community equipment and daily living aids.
Please visit one of our websites to view our full range of products:
www.healthcarepro.co.uk or www.completecareshop.co.uk