

# Aquatec® Ocean Ergo / Ocean Ergo XL / Aquatec® Ocean 24" Ergo / Ocean 24" Ergo XL



en	Shower and Toilet Commode User Manual .....	3
de	Dusch- und Toilettenrollstuhl Gebrauchsanweisung.....	31
fr	Chaise roulante pour douche/toilettes Manuel d'utilisation.....	61
it	Carrozzina da doccia e da toilette Manuale d'uso.....	91
es	Silla de ducha e inodoro Manual del usuario .....	121
pt	Cadeira de duche e sanitária Manual de utilização.....	151
nl	Douche- en toiletstoel Gebruiksaanwijzing .....	179
el	Προσάρτημα ντους και τουαλέτας Εγχειρίδιο χρήσης .....	209



This manual **MUST** be given to the user of the product.  
**BEFORE** using this product, this manual **MUST** be read and saved for  
future reference.

**AQUATEC®**



**Yes, you can.®**

©2019 Invacare Corporation

All rights reserved. Reproduction, duplication or modification in whole or in part is prohibited without prior written permission from Invacare. Trademarks are identified by ™ and ®. All trademarks are owned by or licensed to Invacare Corporation or its subsidiaries unless otherwise noted.

---

# Contents

---

This manual **MUST** be given to the user of the product.  
BEFORE using this product, this manual **MUST** be read and saved  
for future reference.

<b>1 General</b> . . . . .	<b>4</b>
1.1 Introduction . . . . .	4
1.2 Symbols in this manual . . . . .	4
1.3 Warranty information . . . . .	4
1.4 Compliance . . . . .	5
1.4.1 Product-specific standards . . . . .	5
1.5 Intended use . . . . .	5
1.6 Service life . . . . .	5
<b>2 Safety</b> . . . . .	<b>6</b>
2.1 Safety information . . . . .	6
2.2 Labels and symbols on the product . . . . .	6
<b>3 Components</b> . . . . .	<b>8</b>
3.1 Overview . . . . .	8
<b>4 Setup</b> . . . . .	<b>10</b>
4.1 Safety information . . . . .	10
4.2 Assembling the shower and toilet commode . . . . .	10
4.2.1 Installing the seat frame tube for height adjustment . . . . .	10
4.2.2 Installing the backrest . . . . .	12
4.2.3 Installing/Removing the seat plate . . . . .	13
4.2.4 Adjusting the height of the armrests . . . . .	13
4.2.5 Installing the footrests . . . . .	14
4.2.6 Installing/Removing self-propelling wheels (optional) . . . . .	15
<b>5 Accessory (optional)</b> . . . . .	<b>16</b>
5.1 Fitting/removing the toilet pan holder and toilet pan . . . . .	16
<b>6 Usage</b> . . . . .	<b>18</b>
6.1 Safety information . . . . .	18

6.2 Swiveling the armrests . . . . .	19
6.3 Swivelling the footrests . . . . .	19
6.4 Engaging/disengaging the castor locks . . . . .	20
6.5 Engaging/disengaging the parking brakes . . . . .	20
<b>7 Transport</b> . . . . .	<b>22</b>
7.1 Safety information . . . . .	22
<b>8 Maintenance</b> . . . . .	<b>23</b>
8.1 Maintenance and inspection . . . . .	23
8.2 Cleaning and disinfection . . . . .	23
<b>9 After Use</b> . . . . .	<b>25</b>
9.1 Storage . . . . .	25
9.2 Re-use . . . . .	25
9.3 Disposal . . . . .	25
<b>10 Troubleshooting</b> . . . . .	<b>26</b>
10.1 Identifying and repairing faults . . . . .	26
<b>11 Technical Data</b> . . . . .	<b>27</b>
11.1 Dimensions and weight . . . . .	27
11.2 Materials . . . . .	29
11.3 Environmental parameters . . . . .	29

## 1 General

### 1.1 Introduction

This user manual contains important information about the handling of the product. To ensure safety when using the product, read the user manual carefully and follow the safety instructions.

Note that there may be sections in this document, which are not relevant to your product, since this document applies to all available models (on the date of printing). If not otherwise stated, each section in this document refers to all models of the product.

The models and configurations available in your country can be found in the country-specific price lists.

Invacare reserves the right to alter product specifications without further notice.

Before reading this document, make sure you have the latest version. You find the latest version as a PDF on the Invacare website.

If you find that the font size in the printed document is difficult to read, you can download the PDF version from the website. The PDF can then be scaled on screen to a font size that is more comfortable for you.

For more information about the product, for example product safety notices and product recalls, contact your Invacare representative. See addresses at the end of this document.

### 1.2 Symbols in this manual

Symbols and signal words are used in this manual and apply to hazards or unsafe practices which could result in personal injury or property damage. See the information below for definitions of the signal words.



#### WARNING

Indicates a hazardous situation that could result in serious injury or death if it is not avoided.



#### CAUTION

Indicates a hazardous situation that could result in minor or slight injury if it is not avoided.



#### IMPORTANT

Indicates a hazardous situation that could result in damage to property if it is not avoided.



#### Tips and Recommendations

Gives useful tips, recommendations and information for efficient, trouble-free use.



This product complies with Directive 93/42/EEC concerning medical devices. The launch date of this product is stated in the CE declaration of conformity.



Manufacturer of the product.

### 1.3 Warranty information

We provide a manufacturer's warranty for the product in accordance with our General Terms and Conditions of Business in the respective countries.

Warranty claims can only be made through the provider from whom the product was obtained.

## 1.4 Compliance

Quality is fundamental to the company's operation, working within the disciplines of ISO 13485.

This product features the CE mark, in compliance with the Medical Device Directive 93/42/EEC Class 1.

We are continuously working towards ensuring that the company's impact on the environment, locally and globally, is reduced to a minimum.

We only use REACH compliant materials and components.

### 1.4.1 Product-specific standards

The product has been tested and conforms to the standard ISO 17966 (Assistive products for personal hygiene that support users) and related standards. This includes testing concerning flammability. Progressive smouldering ignition and flaming ignition do not occur.

For further information about local standards and regulations, contact your local Invacare representative. See addresses at the end of this document.

## 1.5 Intended use

The shower and toilet commode is designed exclusively as an aid for showering or bathing, going to the toilet, for use during personal hygiene (e.g. in front of the basin) or for transferring patients while indoors. It is intended to be used by youth and adult patients with or without caregiver's assistance, who have:

- Difficulty standing or keeping their balance
- Weak legs or lower limb disability
- Medical conditions that impair their balance

The product is intended for institutional and private household use. Any other use is prohibited.



### **WARNING!** **Risk of injury**

- Never use the product as an aid for getting into or out of a bathtub, for climbing or descending, as a support or for similar purposes.
- Do not use the product outdoors.

As a toilet commode, the product can be used over a standard toilet or independently with the toilet pan (optional).

The shower and toilet commode may only be used as a bathing stool in a pool, if the pool does not contain salt water and an attendant is present at all times.

Temperature for use: 10 - 65 °C

## 1.6 Service life

The expected service life of this product is five years when used daily and in accordance with the safety instructions, maintenance intervals and correct use, stated in this manual. The effective service life can vary according to frequency and intensity of use.

## 2 Safety

### 2.1 Safety information



**WARNING!**

**Risk of injury or damage**

- Do not use this product or any available optional equipment without first completely reading and understanding these instructions and any additional instructional material such as user manuals, service manuals or instruction sheets supplied with this product or optional equipment.
- If you are unable to understand the warnings, cautions or instructions, please contact a healthcare professional, Invacare provider or qualified technician before attempting to use this product.



**WARNING!**

**Risk of injury**

- Do not stand on the product.
- Do not use as a climbing aid.
- Do not use outdoors.



**WARNING!**

**Risk of injury**

- Do not use if defective.
- In the event of a malfunction, contact your provider immediately.
- Do not make any unauthorized changes or alterations to the product.
- Only use accessories intended for this product.



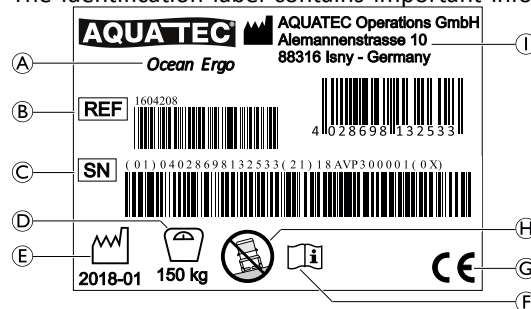
**IMPORTANT!**

The information contained in this document is subject to change without notice.

### 2.2 Labels and symbols on the product

#### Identification label

The identification label contains important information:



(A)	Product designation
(B)	Reference number

Ⓒ	Serial number
Ⓓ	Maximum user weight
Ⓔ	Date of manufacture
Ⓕ	Read user manual
Ⓖ	Conformity mark
Ⓗ	Note (use only on flat surfaces)
Ⓘ	Manufacturer address



The identification label is attached to the inside of the left side part.

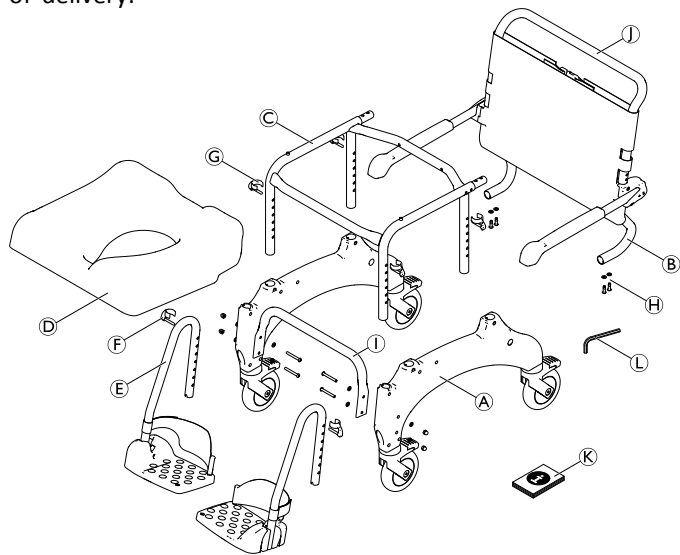
### Labels on the product

The following label is attached to the handle of the backrest:	
Label	Description
	<p><b>WARNING!</b></p> <p>Risk of tipping over</p> <ul style="list-style-type: none"> <li>– Do not step on the footrest when getting into or out of the shower and toilet commode.</li> <li>– Push the footrests to the sides or fold up the foot plates before getting into or out of the shower and toilet commode.</li> <li>– Before sitting down or standing up, turn the castors so that the lock is pointing forwards.</li> <li>– Do not lean too far forwards when sitting in the shower and toilet commode.</li> </ul>

## 3 Components

### 3.1 Overview

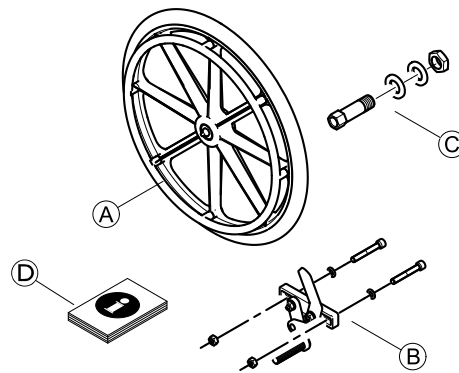
The following components are included within the scope of delivery:



(A)	Side part with castors (left and right)
(B)	Backrest with backrest cover and armrests
(C)	Seat frame
(D)	Seat
(E)	Footrest with heel strap (left and right)

(F)	Clips (2x) for footrest (inserted)
(G)	Clips (4x) for seat frame
(H)	Screws and washers (4x)
(I)	Base stabilisation tube with screws (4x), washers (8x) and nuts (4x) - Ocean XL only
(J)	Push bar
(K)	User manual
(L)	Allen key AF 4

The following parts are included within the scope of delivery of the self-propelling wheels with parking brake:



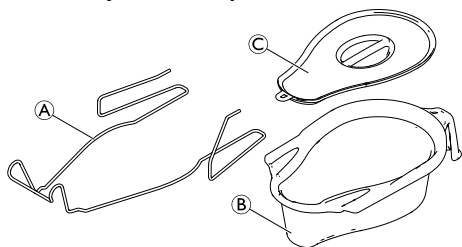
(A)	Self-propelling wheels (2x)
(B)	Parking brakes (2x) with screws (4x), washers (4x) and nuts (4x)



Ⓒ	Hubs inc. axles and washers and nuts (2x)
Ⓓ	Assembly instruction

**i** Note the change in dimensions when the self-propelling wheels are fitted. For details see chapter Technical Data.

### Accessory — Toilet pan holder with toilet pan



Ⓐ	Toilet pan holder
Ⓑ	Toilet pan
Ⓒ	Lid

## 4 Setup

### 4.1 Safety information



#### WARNING!

- Check the parts for transport damage before commissioning and contact your provider if required.
- Ensure during assembly that the parts are positioned correctly with respect to one another.
- Self-locking screws/nuts or thread-locking adhesive are used for several connections. If these are loosened, they must be replaced by new self-locking screws/nuts or they must be secured using new thread-locking adhesive.

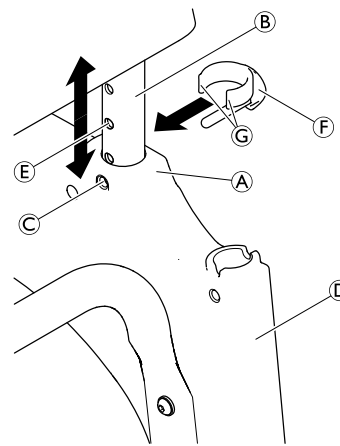
### 4.2 Assembling the shower and toilet commode

This section describes the assembly. Disassembly takes place in the reverse order.



The armrest height, footrest height, footrest angle, heel strap, tension of backrest cover and accessories must be adjusted to optimally fit the user.

#### 4.2.1 Installing the seat frame tube for height adjustment



1. Remove the enclosed clips (F) from the bag.
2. Place the seat frame on its side.



#### IMPORTANT

- Push the side part evenly onto the frame and do not twist.
- Secure the side part at the same height, front and rear.

3. Push the side part (A) with the guides for the footrests (D) forwards on the seat frame (B).



Make sure that the identification label is attached to the inside of the left side part.

Make sure that the orientation of the seat frame is correct (see graphic in chapter 3.1).

- Bring the clip mounts © on the front and back of the side part in line with a hole in the seat frame ⑤.
- Insert the clips ⑥ from the outside into the side part, until the clip edges ③ enclose the seat frame tube ②.

### ! IMPORTANT

- Ensure that the left and the right side parts are set to the same height.

- Turn the seat frame and repeat the procedure on the second side part.
- Set the seat frame with the fitted side parts on its wheels.

### Adjusting the seat height



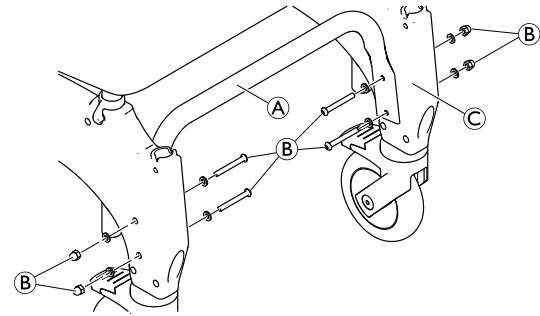
### WARNING!

- The seat height must be adjusted to the same height on both sides.
- Do not adjust the seat height when someone is sitting on the shower and toilet commode.

- Raise the shower and toilet commode slightly on one side by the seat frame ②.
- Remove both clips ⑥ on this side.
- Pull the seat frame out of the side part ① or push it into the side part to adjust the seat height.
- Push both clips back in completely.
- Repeat step 1-4 on the other side.



The seat height can be adjusted to accommodate different situations of use e.g. transfer from a bed or a wheelchair or use above a toilet etc.

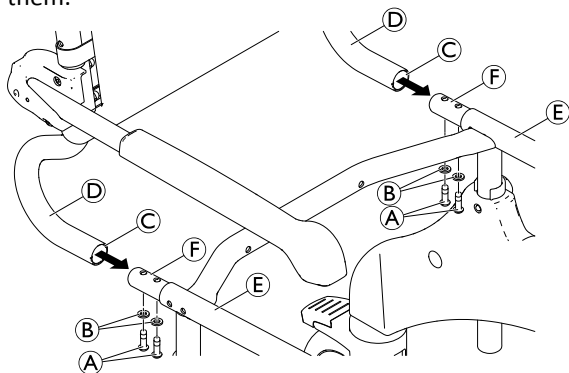


- Install the base stabilization tube ① using the screws and nuts ② supplied between the side parts ③. Make sure the stabilization tube is facing upwards.
- Tighten the screws with a torque of 5 Nm.

### Installing the base stabilization tube (Ocean Ergo XL only)

## 4.2.2 Installing the backrest

1. Push down all four foot pedals of the castors to lock them.



2. Push the backrest **D** from the rear side onto the seat frame **E**, until the collar **C** touches the seat frame tube **F**.

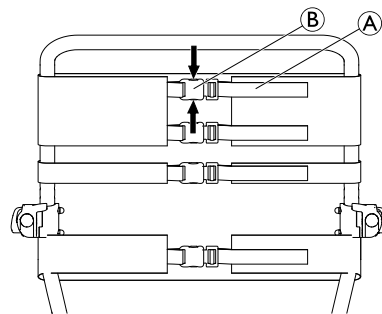
### ! IMPORTANT!

- Firmly tighten the screws using the Allen key supplied.
- Check the screws regularly to ensure they are fastened securely.

3. Position a washer **B** on each screw **A** and secure the backrest on each side.
4. Tighten the screws with a torque of 5 Nm.

### Adjusting the backrest cover

The tension of the backrest cover can be adjusted as needed.



### WARNING!

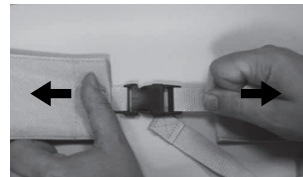
- Make sure that at least three belts are always passed around the backrest frame (on the outside) and their belt buckles are fastened.

### Tightening:

1. Pull the belts **A** of the backrest cover tighter.

### Loosening:

1. Open the buckles **B** by squeezing the retaining lugs together (arrows).
2. Push the belts back a little through the buckle.
3. Fasten the belt buckles.
4. Retighten the belts gently.



**WARNING!****Risk of injury due to damaged backrest buckles!**

Check for secure fastening of the backrest buckles each time the product is maintained or reconditioned.

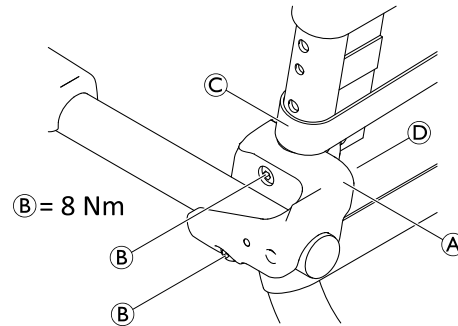
- Check all buckle clips for secure fastening by closing the buckles and pulling on both ends.
- Replace the backrest/backrest buckles if a buckle opens under the applied force.

**4.2.3 Installing/Removing the seat plate****Installing:**

1. Place the seat plate on the seat frame with the cutout to the front.
2. With your hand flat, press the seat plate down at the sides and then at the front and back until the seat plate snaps onto the seat frame.

**Removing:**

1. Pull the seat plate upwards at the rear.

**4.2.4 Adjusting the height of the armrests**

1. On the backrest cover, open the third buckle of the belt and loosen the other belts.



The nuts are inserted loosely in the securing clamp and can fall out.


2. Unscrew the screws **B** of the armrest bracket **A** using the Allen key supplied.
3. Remove the securing clamp **D** with the nuts from the inside of the backrest frame.
4. Remove the backrest bracket **A** with the armrest and move it upwards.



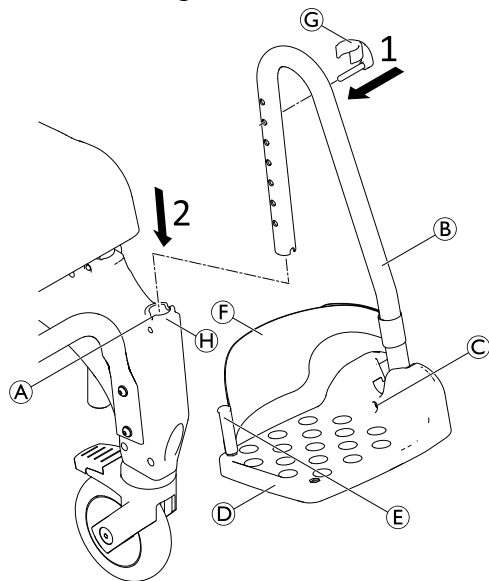
The smaller hole serves to fix the securing clamp.

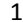




5. Insert the screws in the armrest bracket and guide them through the holes in the backrest frame.
6. If required, put the nuts back into the securing clamp.
7. Place the securing clamp on the backrest frame inserting the fixation pin into the smaller hole.
8. Turn the screws in the nuts and tighten.


9. Move the backrest cover so that the third belt runs either above or below the armrest.
10. Pass the third belt of the backrest cover on the outside of the backrest frame, close and tighten all belts.
11. The height adjustment procedure is the same for the right and left armrest

 To attach accessories, the third belt from above can be opened and the backrest cover can be passed by the backrest frame on the inside.


#### 4.2.5 Installing the footrests

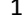
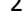



1. Insert the pin of the clip  from the outside into the required hole on the footrest . Make sure the clip engages around the tube.
2. Push the footrest into the guide  at the front of the side part until the pin of clip  engages in the groove . The footrest can no longer be turned to the side.


 The assembly procedure is the same for the right and the left footrest.

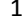

#### Adjusting the height of the footrests

 The footrests can be shortened if required (refer to the service manual). Shortening the footrests must be performed by a qualified technician.

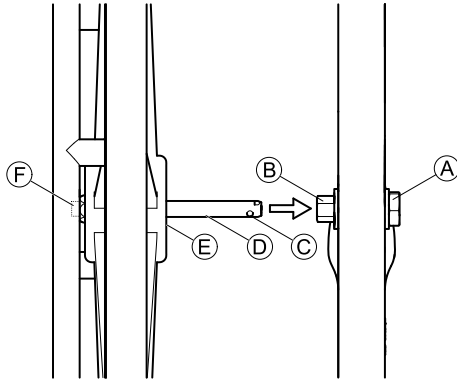
1. Slightly pull up the footrest .
2. Pull the clip  out of the hole in the footrest and re-insert it into the required hole. Pull out the footrest slightly further if necessary.
3. Push down the footrest until the groove  catches the pin of the clip.
4. Set the other footrest to the required height as described.

#### Adjusting the inclination of the foot plates

 The inclination of the foot plates can be adjusted infinitely variably.

1. Loosen the Allen screw  on the foot plate using a size 4 Allen key.
2. Turn the foot plate  to the required position.
3. Re-tighten the Allen screw.

#### 4.2.6 Installing/Removing self-propelling wheels (optional)



6. Insert the axle into the hub (B) and push in the self-propelling wheel onto the axle until the end stop (E).
7. Release the button (F).
8. Check that the retaining balls are behind the hex nut (A).
9. The assembly is the same for the right and left self-propelling wheel.

To remove the wheels, carry out the same procedure in the reverse order.

#### ! IMPORTANT!

- When the self-propelling wheels are fitted, the rear castors must remain locked.
- The hubs and the parking brakes for the self-propelling wheels must be fitted by a qualified technician. Assembly is described in the assembly instructions “Assembling the hubs and brakes for Aquatec® Ocean 24” wheels”.

1. Align all four castors in the driving direction.
2. Lock all castors.
3. Push the axle (D) on the self-propelling wheel inwards. (The handrims project outwards.)
4. Press and hold the button (F) on the outside of the axle. This releases the retaining balls (C) at the end of the axle.
5. Raise the shower and toilet commode slightly.

## 5 Accessory (optional)

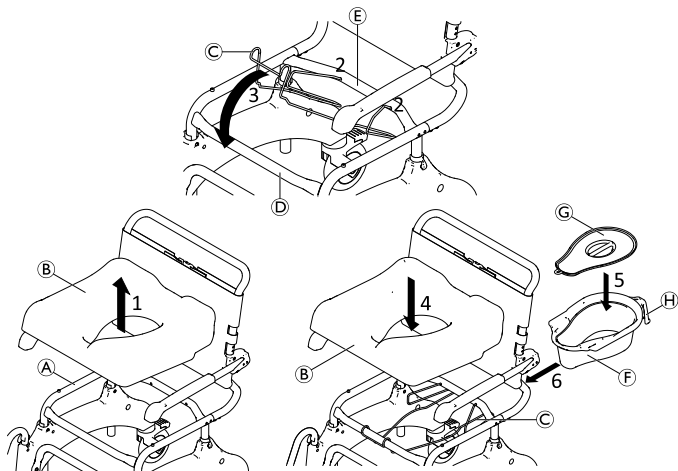


### WARNING!

#### Risk of injury

– The assembly of accessories (optional) must be carried out according to the corresponding instructions.

### 5.1 Fitting/removing the toilet pan holder and toilet pan



The toilet pan (F) can be inserted/removed with or without the lid (G).

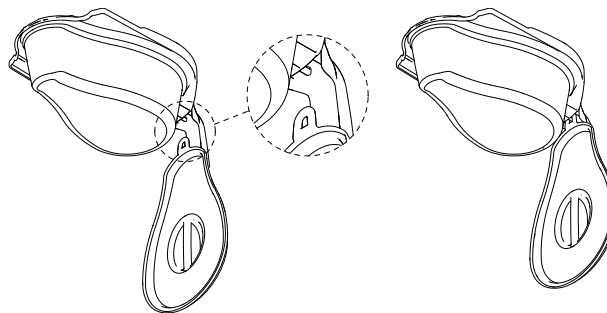
1. Remove the seat (B) from the frame (A).
2. Position the ends of the toilet pan holder (C) into the holes of the rear cross tube (E).
3. Engage the front part of the toilet pan holder with the front cross tube (D).
4. Re-fit the seat to the frame.
5. Place the lid on or remove it from the toilet pan.
6. Hold the toilet pan by its handle (H) and insert from the rear side between the toilet pan holder and the seat.



Slightly push down the toilet pan when inserting or removing.

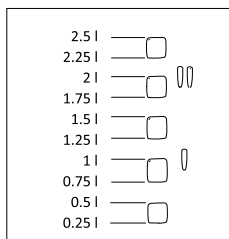


The lid can be hung on the plastic hook at the underside of the toilet pan handle.



There is a fill level indicator on the inner wall of the toilet pan.





## 6 Usage

### 6.1 Safety information



#### **WARNING!**

- Only use the shower and toilet commode on a flat surface and indoors.
- Observe the specifications on the identification label. Do not overload the shower and toilet commode.
- Observe the safety label on the handle of the backrest, *2.2 Labels and symbols on the product, page 6*
- Do not place excessive weight on the shower and toilet commode.
- Always perform a visual inspection of the product for external damage before each use.
- Regularly check the function of the parking brake (self-propelling wheels option only).



#### **WARNING!**

##### **Risk of slipping and rolling**

- Before use, make sure that the seat is securely fastened to the seat frame.
- Lock all castors with levers using the foot levers before sitting down on the shower and toilet commode or standing up from it, as well as in the parking position.
- Apply the parking brake when the self-propelling wheels are fitted (optional).



#### **WARNING!**

##### **Risk of tipping**

- Swivel the footrests to the side or fold up the foot plates before sitting down or standing up.
- Before sitting down or standing up, turn the front castors so that the lock is pointing forwards.
- Never stand on the footrests.
- Do not lean excessively forwards.



#### **WARNING!**

##### **Risk of tipping**

- The shower and toilet commode must only be moved by using the push bar or the self-propelled wheels (optional).



#### **CAUTION!**

##### **Risk of burning your skin**

- The product components can heat up when exposed to external sources of heat.
- Consider heated up surfaces when using the shower and toilet commode in the sauna or when it is exposed to hot water.
  - Do not expose the product to direct sunlight before use.

**CAUTION!****Risk of pinching or crushing**

There may be a very small gap between the rear wheel and the parking brake with the risk of trapping fingers.

- Keep fingers away from movable parts when using the brake, always keep hand on the brake lever.

**CAUTION!****Risk of pinching**

- When using the self-propelling wheels (optional), do not insert fingers between the spokes or between the rotating self-propelling wheels and the seat frame while moving.

**IMPORTANT!****Risk of damage to the product**

- Do not lift the shower and toilet commode using the footrests, armrests or any accessories.



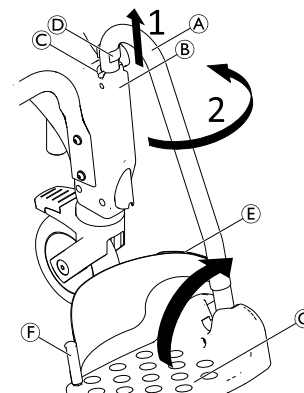
For users with high risk of standing on the footrests (e.g. dementia), front antitippers (part no. AP1601986) are available as accessories to prevent the shower and toilet commode from tipping forward.

## 6.2 Swiveling the armrests

**CAUTION!****Risk of getting fingers caught in the folding mechanism**

- Do not insert fingers in the articulated joint when folding the armrests up or down.
- Do not insert fingers between the armrest and the backrest when folding back the armrests.
- Make sure that no parts get caught in the joints.

## 6.3 Swivelling the footrests

**Entry position/exit position:**

1. Slightly pull up the footrest (A) in the guide (B) until the pin (C) no longer engages in the groove (D).
2. Swivel the footrest to the side.

## Driving position:



### CAUTION!

#### Risk of accident due to loose footrest

– Fix footrests in the driving position.

1. Turn the footrest Ⓐ inwards.
2. Push the footrest downward, until the pin of the clip Ⓓ engages in the groove Ⓒ.



Alternatively, the foot plates Ⓒ can be swivelled upwards to enter/exit the shower and toilet commode.

## Removing/fitting the heel strap

1. Open the hook and loop strip Ⓔ on the heel strap.
2. Remove the screw Ⓕ from the underside of the foot plate.
3. Remove the heel strap from the flexible plastic pin.



To attach the strap, carry out the same procedure in the reverse order.



When installing ensure that the hook and loop strip of the heel strap is facing backwards.

## 6.4 Engaging/disengaging the castor locks

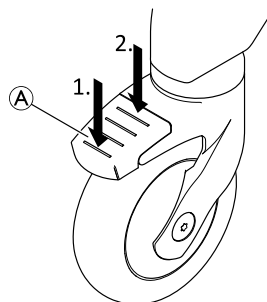


### CAUTION!

#### Risk of trapping/squeezing

All castor locks are foot-operated.

– Do not operate the castor locks by hand.



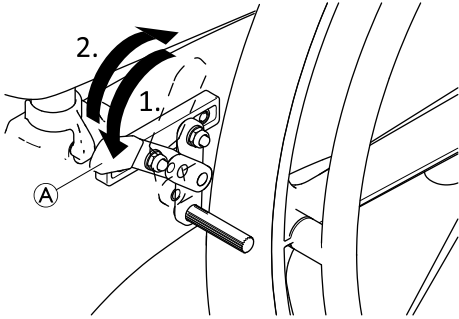
1. To lock the castor locks step on the rear end of the pedal Ⓐ until it engages.
2. To unlock the castor locks step on the front end of the pedal until it disengages.



Castor with blue lever (option) is used to engage the direction lock for easier straight movement.

## 6.5 Engaging/disengaging the parking brakes

The parking brakes are used to immobilise the shower and toilet commode with 24" wheels to prevent it from rolling away when it is stationary.



1. To engage the parking brake, push the brake lever (A) forward as far as possible.
2. To disengage the parking brake, pull the brake lever backwards.

## 7 Transport

### 7.1 Safety information



The product can be dismantled for transport into the parts of the scope of delivery, see chapter 3 *Components, page 8*.

1. Disassemble the product: Refer to chapter 4 *Setup, page 10* by following the assembly steps in reverse order.



#### **IMPORTANT!**

##### **Risk of damage to the product**

- Transport the product in a dry area.
- Do not expose the product to direct sunlight.
- Refer to the storage and shipping conditions in chapter 11.3 *Environmental parameters, page 29*.



#### **IMPORTANT!**

- Self-locking screws/nuts or thread-locking adhesive are used for several connections. If these are loosened, they must be replaced by new self-locking screws/nuts or they must be secured using new thread-locking adhesive.

## 8 Maintenance

### 8.1 Maintenance and inspection

The product is maintenance-free, provided the cleaning and safety instructions outlined below are adhered to.

To ensure good performance and safety the following checks should regularly be carried out:

- Check the product and accessories regularly for damage. Do not use the product if defective.
- In case of damage or malfunction it is recommended to contact the provider.
- Ensure that the product is securely assembled and that all screws are properly tightened.



#### **WARNING!**

#### **Risk of injury and damage**

If the product is improperly adjusted it can cause accidents and severe injuries.

- The product must be repaired by a qualified technician.
- Damaged parts have to be replaced by a qualified technician.
- Only use original Invacare spare parts.

### 8.2 Cleaning and disinfection

The product can be cleaned and disinfected using commercially available agents.



#### **IMPORTANT!**

In the sensitive area of the bathroom and toilet, hygiene is particularly important.

- Keep the product clean at all times and wipe it down regularly.
- Disinfect the product regularly.

1. Disinfect the product by wiping down all generally accessible surfaces with disinfectant (after disassembling the product, if possible).



#### **IMPORTANT!**

All cleaning agents and disinfectants used must be effective, compatible with one another and must protect the materials they are used to clean. For further information on decontamination in Healthcare Environments, please refer to 'The National Institute for Clinical Excellence' guidelines on Infection Control [www.nice.org.uk/CG139](http://www.nice.org.uk/CG139) and your local infection control policy.

- Clean by hand or in a washing machine or autoclave.
- Clean without scouring agent.

#### **Cleaning in a domestic environment**

1. Remove any accessories fitted (only accessories which do not require tools).
2. Pull the footrests out of the guides.
3. Remove the seat plate and the backrest cover.

4. Wipe down the individual parts using a cloth or brush and commercially available cleaning agents and disinfectants.
5. Rinse the parts with warm water.
6. Dry the parts with a cloth.
7. Re-assemble the product, see chapter 4 Setup.

### Cleaning in a clinical environment



In addition to cleaning as described above we recommend cleaning the product prior to the use by another patient, after ending of the period of use or on a regular basis (depending on which occurs first) at

- 90°C for 1 minute
- 85°C for 3 minutes
- 80°C for 10 minutes

in the autoclave.



#### **CAUTION!**

##### **Risk of burning your skin**

- Allow the product to cool after cleaning in the washing machine or autoclave.

### Cleaning the backrest cover (optional)

1. Remove the backrest cover.
2. Machine-wash the cover at max. 60 °C using a mild detergent.



#### **IMPORTANT!**

##### **Risk of damage**

- Washing at higher temperatures can cause damage.
- Do not tumble dry.



#### **IMPORTANT!**

Excessive cleaning can damage textile.

- We recommend replacing the backrest cover every two years for hygiene reasons.

### Cleaning the toilet pan (optional)

The toilet pan can be cleaned in an autoclave at the following temperatures/times:

- 90 °C for 1 minute
- 85 °C for 3 minutes
- 80 °C for 10 minutes.



---

## 9 After Use

---

### 9.1 Storage

**IMPORTANT!****Risk of damage to the product**

- Store the product in a dry area.
- Do not store the product near heat sources.
- Do not expose the product to direct sunlight.
- Refer to the storage and shipping conditions in chapter *11.3 Environmental parameters, page 29*.

### 9.2 Re-use

The product is suitable for repeated use. The number of times it can be used depends on how often and in which way the product is used. Before re-use, clean and disinfect the product thoroughly (→ *8.2 Cleaning and disinfection, page 23*) and check for damage and correct assembly.

### 9.3 Disposal

Be environmentally responsible and recycle the different materials and components of this product separately through your recycling facility at its end of life.

The disposal and recycling of used products and packaging must comply with the laws and regulations for waste handling in each country. Contact your local waste management company for information.

## 10 Troubleshooting

### 10.1 Identifying and repairing faults

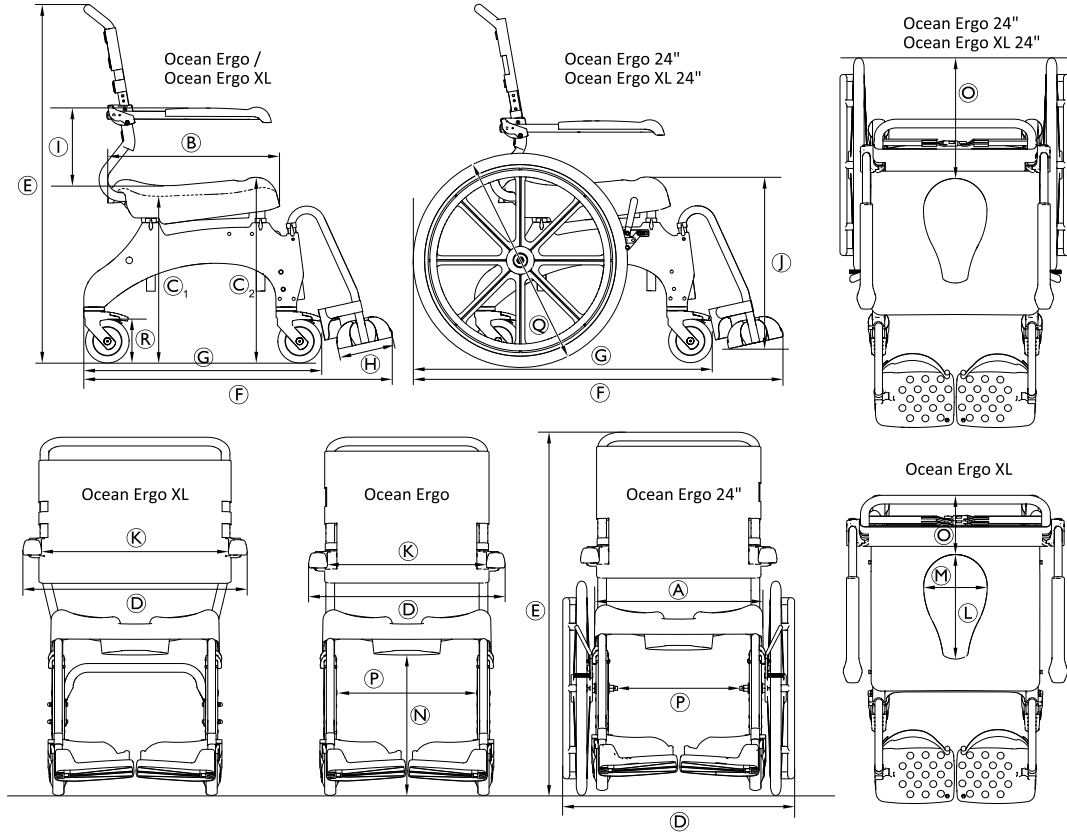


The following table provides information on malfunctions and their possible causes. If you cannot correct the malfunction using the solutions named, contact your provider directly.

<b>Malfunction</b>	<b>Possible cause</b>	<b>Solution</b>
Difficulty in adjusting the seat height	Dirt between the seat frame and the side part	Disassemble product into the parts of the scope of delivery and clean thoroughly
The castors are difficult or impossible to turn	Dirt between the fork and the rim	Thoroughly clean the castors
Difficulty pushing the footrests to the side	Deposits in the guides	Thoroughly clean the footrests and the guides
Parking brake of the self-propelling wheels (optional) does not engage	Parking brake wrongly adjusted	The parking brake must be adjusted by a qualified technician.

# 11 Technical Data

## 11.1 Dimensions and weight



	Ocean Ergo	Ocean Ergo XL	Ocean Ergo 24" wheels	Ocean Ergo XL 24" wheels
Ⓐ	480 mm			
Ⓑ	480 mm			
Ⓒ <sub>1</sub>	475 mm – 600 mm			
Ⓒ <sub>2</sub>	533 mm – 658 mm			
Ⓓ	565 mm	645 mm	670 mm	
Ⓔ	1020 mm – 1145 mm		1045 mm – 1170 mm	
Ⓕ	905 mm		1050 mm	
Ⓖ	700 mm		850 mm	
Ⓗ	160 mm			
Ⓘ	215 mm / 253 mm / 290 mm	253 mm / 290 mm	215 mm / 253 mm / 290 mm	253 mm / 290 mm
Ⓙ	295 mm – 570 mm			
Ⓚ	455 mm	535 mm	455 mm	535 mm
Ⓛ	350 mm (top) / 300 mm (bottom)			
Ⓜ	250 mm (top) / 182 mm (bottom)			
Ⓝ	400 mm – 525 mm			
Ⓞ	200 mm		355 mm	
Ⓟ	405 mm		360 mm	
Ⓠ	—		Æ 24" (610 mm)	
Ⓡ	Æ 5" (127 mm)			

	Ocean Ergo	Ocean Ergo XL	Ocean Ergo 24" wheels	Ocean Ergo XL 24" wheels
Turning diameter	2100 mm		1940 mm	
Reversing width	1070 mm		1240 mm	
Product weight	17 kg	18 kg	23 kg	24 kg
Maximum user weight	150 kg	180 kg	150 kg	180 kg

### 11.2 Materials

Frame	Stainless steel, powder-coated
Seat plate	Polypropylene, fiber-glass reinforced
Backrest cover	Nylon, PVC-coated
Footrests / Side parts	Polypropylene, fiber-glass reinforced
Armrest pads	Polypropylene
Castors	Plastics and stainless steel
Running surface of 24" wheels	PUR

All product components are corrosion resistant and do not contain natural rubber latex.

### 11.3 Environmental parameters

Operating conditions	
Ambient temperature	10 - 65 °C
Relative humidity	15 % - 93 %, non-condensing
Atmospheric pressure	795 - 1060 hPa
Storage and shipping conditions	
Ambient temperature	0 - 65 °C
Relative humidity	30 % - 75 %, non-condensing
Atmospheric pressure	795 - 1060 hPa



# Inhaltsverzeichnis

Diese Gebrauchsanweisung MUSS dem Benutzer des Produkts ausgehändigt werden. VOR der Verwendung dieses Produkts MUSS die Gebrauchsanweisung gelesen werden. Bewahren Sie sie auf, um später darin nachschlagen zu können.

<b>1 Allgemein</b>	<b>32</b>
1.1 Einleitung	32
1.2 Symbole in diesem Handbuch	32
1.3 Garantieinformationen	33
1.4 Konformität	33
1.4.1 Produktspezifische Normen	33
1.5 Verwendungszweck	33
1.6 Nutzungsdauer	34
<b>2 Sicherheit</b>	<b>35</b>
2.1 Sicherheitsinformationen	35
2.2 Schilder und Symbole auf dem Produkt	35
<b>3 Aufbau und Funktion</b>	<b>37</b>
3.1 Übersicht	37
<b>4 Inbetriebnahme</b>	<b>39</b>
4.1 Sicherheitsinformationen	39
4.2 Montage des Dusch- und Toilettenrollstuhls	39
4.2.1 Anbringen des Sitzrahmenrohrs für die Höhenverstellung	39
4.2.2 Anbringen der Rückenlehne	41
4.2.3 Anbringen/Abnehmen der Sitzplatte	42
4.2.4 Einstellen der Armlehnenhöhe	42
4.2.5 Anbringen der Fußauflagen	43
4.2.6 Anbringen/Abnehmen der Selbstfahrräder (optional)	44
<b>5 Zubehör (optional)</b>	<b>46</b>
5.1 Befestigen/Entfernen des Toilettentopfhalters und des Toilettentopfs	46

<b>6 Verwenden</b>	<b>48</b>
6.1 Sicherheitsinformationen	48
6.2 Drehen der Armlehnen	49
6.3 Drehen der Fußauflagen	49
6.4 Feststellen/Lösen der Schwenkradverriegelungen	50
6.5 Betätigen/Lösen der Feststellbremsen	50
<b>7 Transport</b>	<b>52</b>
7.1 Sicherheitsinformationen	52
<b>8 Instandhaltung</b>	<b>53</b>
8.1 Wartung und Inspektion	53
8.2 Reinigung und Desinfektion	53
<b>9 Nach dem Gebrauch</b>	<b>55</b>
9.1 Lagerung	55
9.2 Wiedereinsatz	55
9.3 Entsorgung	55
<b>10 Problembehandlung</b>	<b>56</b>
10.1 Erkennen und Beheben von Mängeln	56
<b>11 Technische Daten</b>	<b>57</b>
11.1 Abmessungen und Gewicht	57
11.2 Materialien	59
11.3 Umgebungsbedingungen	59

# 1 Allgemein

## 1.1 Einleitung

Diese Gebrauchsanweisung enthält wichtige Informationen zur Handhabung des Produkts. Lesen Sie die Gebrauchsanweisung sorgfältig und befolgen Sie die Sicherheitsanweisungen, damit eine sichere Verwendung des Produkts gewährleistet ist.

Beachten Sie, dass diese Gebrauchsanweisung für Ihr Produkt möglicherweise irrelevante Abschnitte enthält, da sie sämtliche zum Zeitpunkt der Drucklegung verfügbaren Modelle abdeckt. Sofern nicht anders angegeben, bezieht sich jeder Abschnitt in dieser Gebrauchsanweisung auf alle Modelle des Produkts.

Die für Ihr Land erhältlichen Modelle und Ausstattungsvarianten sind über die länderspezifischen Preislisten einsehbar.

Invacare behält sich das Recht vor, Produktspezifikationen ohne vorherige Ankündigung abzuändern.

Vergewissern Sie sich vor dem Lesen dieser Gebrauchsanweisung, dass Sie die aktuelle Fassung haben. Die jeweils aktuelle Fassung können Sie als PDF-Datei von der Invacare Webseite herunterladen.

Wenn die gedruckte Fassung der Gebrauchsanweisung für Sie aufgrund der Schriftgröße schwer zu lesen ist, können Sie die entsprechende PDF-Version von der Invacare Website herunterladen. Sie können das PDF-Dokument dann auf dem Bildschirm so anzeigen, dass die Schriftgröße für Sie angenehmer ist.

Weitere Informationen zum Produkt, z. B. Informationen zu Produktsicherheitshinweisen oder zu einem Produktrückruf, erhalten Sie von Ihrem Invacare-Vertreter. Die entsprechenden Internetadressen finden Sie am Ende dieses Dokuments.

## 1.2 Symbole in diesem Handbuch

Warnungen sind in diesem Dokument mit Symbolen gekennzeichnet. Die Warnsymbole sind neben einer Überschrift abgebildet, die auf die Gefährlichkeit hinweist.



### WARNUNG

Weist auf eine gefährliche Situation hin, die bei Nichtbeachtung zu schweren Verletzungen oder zum Tod führen kann.



### VORSICHT

Weist auf eine gefährliche Situation hin, die bei Nichtbeachtung zu leichten Verletzungen führen kann.



### WICHTIG

Weist auf eine gefährliche Situation hin, die bei Nichtbeachtung der Hinweise zu Sachschäden führen kann.



### Tipps und Empfehlungen

Enthalten nützliche Tipps, Empfehlungen und Anleitungen für eine effiziente und problemlose Verwendung.





Dieses Produkt entspricht der Richtlinie 93/42/EWG über Medizinprodukte. Der Markteinführungszeitpunkt für dieses Produkt ist in der CE-Konformitätserklärung angegeben.



Hersteller des Produkts

### 1.3 Garantieinformationen

Wir gewähren für das Produkt eine Herstellergarantie gemäß unseren Allgemeinen Geschäftsbedingungen für das entsprechende Land.

Garantieansprüche können nur über den Händler geltend gemacht werden, von dem das Produkt bezogen wurde.

### 1.4 Konformität

Qualität ist für das Unternehmen entscheidend. Alle Abläufe sind nach den Anforderungen von ISO 13485 ausgerichtet.

Dieses Produkt trägt die CE-Kennzeichnung in Übereinstimmung mit der Richtlinie 93/42/EWG über Medizinprodukte, Klasse I.

Wir setzen uns kontinuierlich dafür ein, die Umwelt durch unsere Unternehmenstätigkeit sowohl direkt vor Ort als auch weltweit möglichst wenig zu beeinträchtigen.

Wir verwenden ausschließlich REACH-konforme Materialien und Bauteile.

#### 1.4.1 Produktspezifische Normen

Dieses Produkt wurde getestet und entspricht der Norm ISO 17966 (Hilfsmittel für die Körperhygiene zur

1639501-B

Unterstützung der Anwender) und allen einschlägigen Normen. Dies schließt Tests auf Entflammbarkeit ein. Fortschreitender Schwelbrand und Flammen sind nicht aufgetreten.

Weitere Informationen zu lokalen Normen und Vorschriften erhalten Sie bei Ihrem Invacare-Vertreter vor Ort. Die entsprechenden Adressen finden Sie am Ende dieses Dokuments.

### 1.5 Verwendungszweck

Der Dusch- und Toilettenrollstuhl ist ausschließlich als Hilfsmittel beim Duschen oder Baden, für den Toilettengang, bei der persönlichen Hygiene (z. B. vor dem Waschbecken) oder für das Umsetzen eines Patienten in Innenräumen vorgesehen. Er ist für die Verwendung durch jugendliche und erwachsene Patienten – mit oder ohne Unterstützung durch Pflegepersonal – mit den folgenden Beeinträchtigungen vorgesehen:

- Schwierigkeiten beim Stehen und beim Halten des Gleichgewichts
- Beinschwäche oder Behinderungen der unteren Gliedmaßen
- Erkrankungen, die den Gleichgewichtssinn beeinträchtigen

Das Produkt ist für den Einsatz in einer Pflegeeinrichtung bzw. den häuslichen Gebrauch vorgesehen. Eine Verwendung zu anderen Zwecken ist nicht zulässig.



### **WARNUNG!**

#### **Verletzungsgefahr**

- Das Produkt darf nicht als Hilfsmittel zum Umsetzen aus einer oder in eine Badewanne, als Auf- oder Absteighilfe oder als Unterstützung für ähnliche Zwecke verwendet werden.
- Das Produkt darf nicht im Freien verwendet werden.

Als Toilettenrollstuhl kann das Produkt über einer Standardtoilette eingesetzt werden. Bei Verwendung des Toilettenkopfs (optional) ist auch ein von einer Toilette unabhängiger Einsatz möglich.

Der Dusch- und Toilettenrollstuhl darf nur dann als Badestuhl in einem Schwimmbecken verwendet werden, wenn das Becken kein Salzwasser enthält und jederzeit eine Begleitperson anwesend ist.

Verwendungstemperatur: 10 – 65 °C

## **1.6 Nutzungsdauer**

Die Nutzungsdauer dieses Produkts beträgt fünf Jahre, vorausgesetzt, es wird täglich und in Übereinstimmung mit den in dieser Gebrauchsanweisung aufgeführten Sicherheitshinweisen, Wartungsintervallen und korrekten Verfahrensweisen verwendet. Die tatsächliche Haltbarkeitsdauer kann abhängig von Häufigkeit und Intensität der Verwendung variieren.

## 2 Sicherheit

### 2.1 Sicherheitsinformationen



#### WARNUNG!

##### Gefahr von Verletzungen oder Sachschäden

- Verwenden Sie dieses Produkt oder optionales Zubehör erst, nachdem Sie diese Anweisungen und mögliches zusätzliches Anweisungsmaterial, wie zum Produkt oder optionalen Zubehör gehörende Gebrauchsanweisungen, Servicehandbücher oder Merkblätter, vollständig gelesen und verstanden haben.
- Falls die Warnungen, Sicherheitshinweise und Anweisungen unverständlich sind, wenden Sie sich an einen Arzt, Invacare-Anbieter oder qualifizierten Techniker, bevor Sie dieses Produkt verwenden.



#### WARNUNG!

##### Verletzungsgefahr

- Nicht auf das Produkt stellen.
- Nicht als Steighilfe verwenden.
- Nicht in Außenbereichen verwenden.



#### WARNUNG!

##### Verletzungsgefahr

- Verwenden Sie das Produkt nicht, wenn es defekt ist.
- Wenden Sie sich bei einer Fehlfunktion sofort an Ihren Anbieter.
- Keine unbefugten Veränderungen am Produkt vornehmen.
- Nur Zubehör verwenden, das für dieses Produkt bestimmt ist.



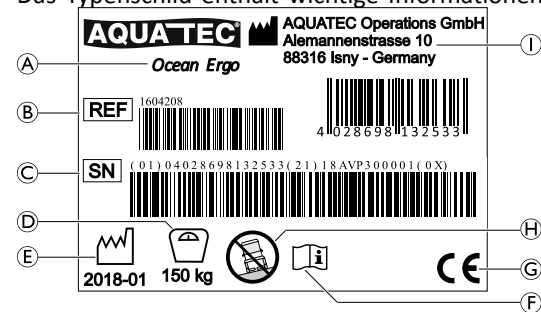
#### WICHTIG!

Die in diesem Handbuch enthaltenen Informationen können jederzeit ohne vorherige Ankündigung geändert werden.


## 2.2 Schilder und Symbole auf dem Produkt

### Typenschild

Das Typenschild enthält wichtige Informationen:




Ⓐ	Produktbezeichnung
Ⓑ	Referenznummer
Ⓒ	Seriennummer
Ⓓ	Maximales Benutzergewicht
Ⓔ	Herstellungsdatum
Ⓕ	Gebrauchsanweisung lesen
Ⓖ	Konformitätszeichen
Ⓗ	Hinweis (Verwendung nur auf ebener Fläche)
Ⓘ	Adresse des Herstellers

 Das Typenschild ist an der Innenseite des linken Seitenteils angebracht.

### Aufkleber am Produkt

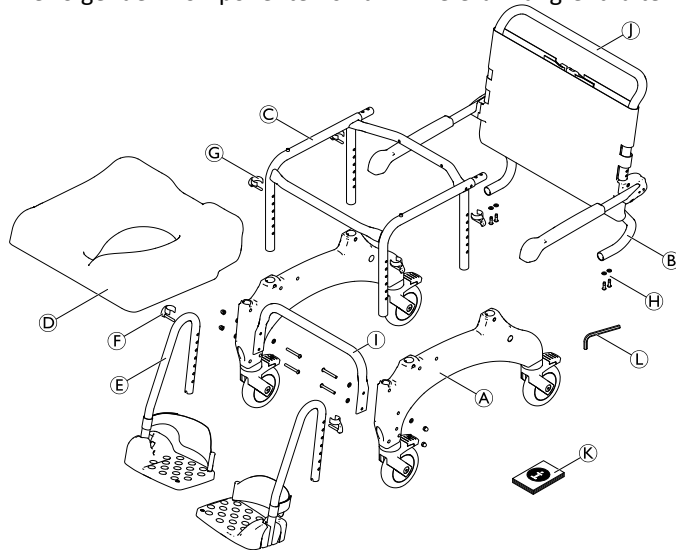
Der folgende Aufkleber ist am Griff der Rückenlehne angebracht:

Aufkleber	Beschreibung
	<p><b>WARNUNG!</b></p> <p>Kippgefahr</p> <ul style="list-style-type: none"> <li>– Beim Umsetzen in oder aus dem Dusch- und Toilettenrollstuhl nicht auf die Fußauflage treten.</li> <li>– Vor dem Umsetzen in oder aus dem Dusch- und Toilettenrollstuhl die Fußauflagen zur Seite schieben oder die Fußplatten nach oben klappen.</li> <li>– Vor dem Hinsetzen oder Aufstehen die Schwenkräder so drehen, dass die Sperrvorrichtung nach vorne weist.</li> <li>– Beim Sitzen im Dusch- und Toilettenrollstuhl nicht zu weit nach vorne lehnen.</li> </ul>

## 3 Aufbau und Funktion

### 3.1 Übersicht

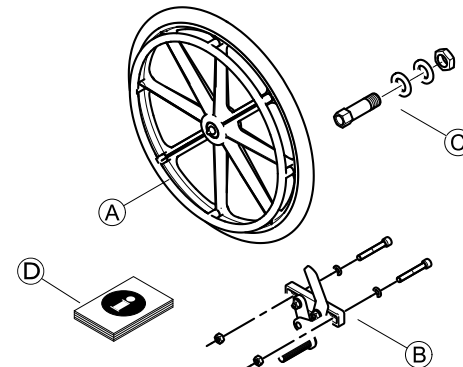
Die folgenden Komponenten sind im Lieferumfang enthalten:




(A)	Seitenteil mit Schwenkräder (links und rechts)
(B)	Rückenlehne mit Rückenlehnenbezug und Armlehnen
(C)	Sitzrahmen
(D)	Sitz

(E)	Fußauflage mit Fersenband (links und rechts)
(F)	Clips (2 x) für Fußauflage (eingesetzt)
(G)	Clips (4 x) für Sitzrahmen
(H)	Schrauben und Unterlegscheiben (4 x)
(I)	Basisstabilisierungsrohr mit Schrauben (4 x), Unterlegscheiben (8 x) und Muttern (4 x) – nur Ocean XL
(J)	Schiebestange
(K)	Gebrauchsanweisung
(L)	Inbusschlüssel AF 4

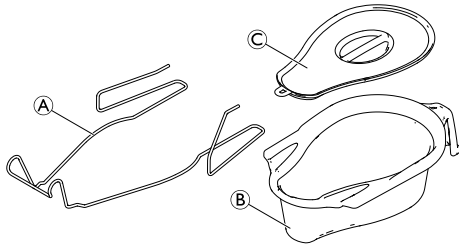
Die folgenden Teile sind im Lieferumfang der Selbstfahrräder mit Feststellbremse enthalten:



Ⓐ	Selbstfahrräder (2 x)
Ⓑ	Feststellbremsen (2 x) mit Schrauben (4 x), Unterlegscheiben (4 x) und Muttern (4 x)
Ⓒ	Naben inklusive Achsen, Unterlegscheiben und Muttern (2 x)
Ⓓ	Montageanleitung

 Beachten Sie die veränderten Abmessungen, wenn die Selbstfahrräder montiert sind. Weitere Informationen finden Sie im Kapitel „Technische Daten“.

### Zubehörteile – Toilettentopfhalter mit Toilettentopf



Ⓐ	Toilettentopfhalter
Ⓑ	Toilettentopf
Ⓒ	Deckel

## 4 Inbetriebnahme

### 4.1 Sicherheitsinformationen



#### WARNUNG!

- Überprüfen Sie die Teile vor Inbetriebnahme auf Transportschäden und wenden Sie sich im Bedarfsfall an Ihren Anbieter.
- Achten Sie bei der Montage darauf, dass die Teile korrekt aufeinander ausgerichtet sind.
- Bei diversen Verbindungen kommen selbstsichernde Schrauben/Muttern oder Schraubensicherungslack zum Einsatz. Wenn diese gelöst werden, müssen sie durch neue selbstsichernde Schrauben/Muttern ersetzt bzw. mit neuem Schraubensicherungslack gesichert werden.

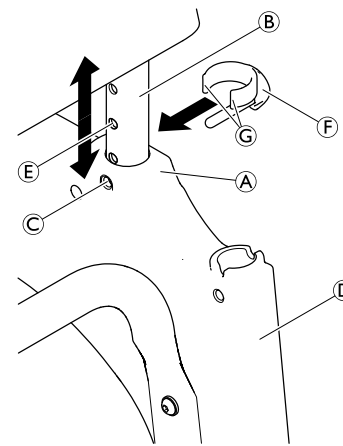
### 4.2 Montage des Dusch- und Toilettenrollstuhls

In diesem Abschnitt wird die Montage beschrieben. Die Demontage erfolgt in umgekehrter Reihenfolge.



Die Höhe der Armlehne und der Fußauflage, der Winkel der Fußauflage, das Fersenband, die Spannung des Rückenlehnenbezugs und die Zubehörteile müssen optimal für den jeweiligen Anwender eingestellt werden.

#### 4.2.1 Anbringen des Sitzrahmenrohrs für die Höhenverstellung



1. Nehmen Sie die beiliegenden Clips ⑥ aus dem Beutel.
2. Legen Sie den Sitzrahmen auf die Seite.



#### WICHTIG

- Schieben Sie das Seitenteil gerade in den Rahmen und verdrehen Sie es nicht.
  - Befestigen Sie das Seitenteil vorne und hinten in der gleichen Höhe.
3. Schieben Sie das Seitenteil ① mit den Führungen für die Fußauflagen ② nach vorn auf den Sitzrahmen ③.



Vergewissern Sie sich, dass das Typenschild an der Innenseite des linken Seitenteils angebracht ist.

Vergewissern Sie sich, dass die Ausrichtung des Sitzrahmens richtig ist (siehe Diagramm in Kapitel 3.1).

4. Richten Sie die Clip-Befestigungen © vorne und hinten am Seitenteil auf ein Loch im Sitzrahmen ⑤ aus.
5. Setzen Sie die Clips ⑥ von außen so in das Seitenteil, bis die Clip-Kanten ③ das Sitzrahmenrohr ② umschließen.

### ! WICHTIG

– Achten Sie darauf, dass das linke und rechte Seitenteil auf die gleiche Höhe eingestellt sind.

6. Drehen Sie den Sitzrahmen und wiederholen Sie den Vorgang für das zweite Seitenteil.
7. Setzen Sie den Sitzrahmen mit den montierten Seitenteilen auf die Räder.

### Einstellen der Sitzhöhe



### WARNUNG!

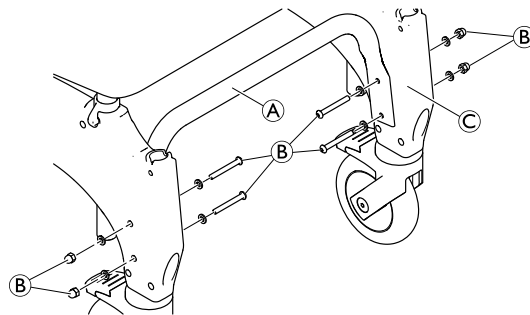
– Die Sitzhöhe muss an beiden Seiten auf die gleiche Höhe eingestellt werden.  
– Stellen Sie die Sitzhöhe nicht ein, während eine Person auf dem Dusch- und Toilettenrollstuhl sitzt.

1. Heben Sie den Dusch- und Toilettenrollstuhl an einer Seite leicht am Sitzrahmen ② an.
2. Entfernen Sie beide Clips ⑥ auf dieser Seite.
3. Ziehen Sie den Sitzrahmen aus dem Seitenteil ① heraus bzw. schieben Sie ihn in das Seitenteil hinein, um die Sitzhöhe einzustellen.
4. Drücken Sie beide Clips wieder vollständig hinein.
5. Wiederholen Sie die Schritte 1 bis 4 für die andere Seite.



Die Sitzhöhe kann für verschiedene Verwendungssituationen entsprechend eingestellt werden, z. B. für den Transfer von einem Bett oder Rollstuhl oder für die Benutzung über einer Toilette usw.

### Anbringen des Basisstabilisierrohrs (nur Ocean Ergo XL)

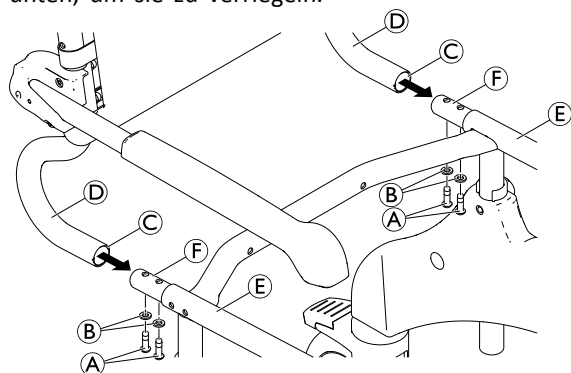


1. Bringen Sie das Basisstabilisierrohr ① mit den beiliegenden Schrauben und Muttern ② zwischen den Seitenteilen ③ an. Vergewissern Sie sich, dass das Stabilisierrohr nach oben zeigt.
2. Ziehen Sie die Schrauben mit einem Drehmoment von 5 Nm fest.



## 4.2.2 Anbringen der Rückenlehne

1. Bewegen Sie alle vier Fußhebel der Schwenkräder nach unten, um sie zu verriegeln.



2. Drücken Sie die Rückenlehne **D** von hinten in den Sitzrahmen **E**, bis der Abschluss **C** der Rückenlehne das Sitzrahmenrohr **F** berührt.

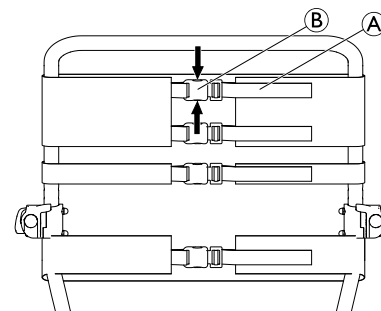
### ! WICHTIG!

- Ziehen Sie die Schrauben mit dem im Lieferumfang enthaltenen Inbusschlüssel fest.
- Kontrollieren Sie regelmäßig, ob die Schrauben fest angezogen sind.

3. Setzen Sie eine Unterlegscheibe **B** auf jede Schraube **A** und arretieren Sie die Rückenlehne auf jeder Seite.
4. Ziehen Sie die Schrauben mit einem Drehmoment von 5 Nm fest.

## Anpassen des Rückenlehnenbezugs

Die Spannung des Rückenlehnenbezugs lässt sich nach Bedarf einstellen.



### ! WARNUNG!

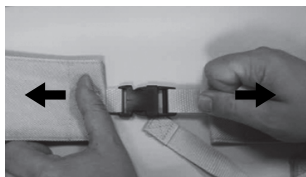
- Achten Sie darauf, dass stets mindestens drei Gurte (von außen) um den Rückenlehnenrahmen geführt werden und die Gurtverschlüsse fixiert sind.

Straffen:

1. Ziehen Sie die Gurte **A** des Rückenlehnenbezugs straffer.

Lockern:

1. Öffnen Sie die Gurtverschlüsse **B**, indem Sie die Haltetaschen zusammendrücken (Pfeile).
2. Schieben Sie die Gurte ein Stück durch den Gurtverschluss zurück.
3. Fixieren Sie die Gurtverschlüsse.
4. Ziehen Sie die Gurte vorsichtig wieder fest.



### WARNUNG!

#### Verletzungsgefahr durch beschädigte Rückenlehnengurtverschlüsse!

Achten Sie bei jeder Überprüfung oder Wiederaufbereitung des Produkts auf den festen Sitz der Gurtverschlüsse an der Rückenlehne.

- Kontrollieren Sie alle Gurtverschlüsse auf festen Sitz, indem Sie die Verschlüsse schließen und an beiden Enden ziehen.
- Ersetzen Sie die Rückenlehne bzw. die Gurtverschlüsse, wenn sich ein Gurtverschluss unter der angewandten Kraft öffnet.

### 4.2.3 Anbringen/Abnehmen der Sitzplatte

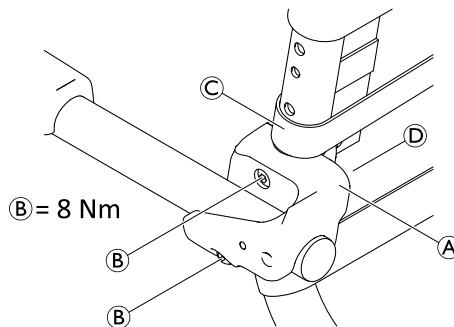
#### Anbringen:

1. Setzen Sie die Sitzplatte mit dem Ausschnitt nach vorne auf den Sitzrahmen.
2. Drücken Sie die Sitzplatte mit der flachen Hand zunächst an den Seiten, dann vorne und hinten nach unten, bis sie im Sitzrahmen einrastet.

#### Abnehmen:

1. Ziehen Sie die Sitzplatte an der Rückseite nach oben.

### 4.2.4 Einstellen der Armlehnenhöhe



1. Öffnen Sie den dritten Gurtverschluss am Rückenlehnensbezug und lösen Sie die anderen Gurte.



Die Muttern sind lose in der Halteschelle eingeführt und können herausfallen.

2. Lösen Sie die Schrauben **B** der Armlehnhalterung **A** mithilfe des im Lieferumfang enthaltenen Inbusschlüssels.
3. Entfernen Sie die Halteschelle **D** samt Muttern von der Innenseite des Rückenlehnensrahmens.
4. Entfernen Sie die Rückenlehnhalterung **A** mit der Armlehne und schieben Sie sie nach oben.



Das kleinere Loch dient zum Arretieren der Halteschelle.

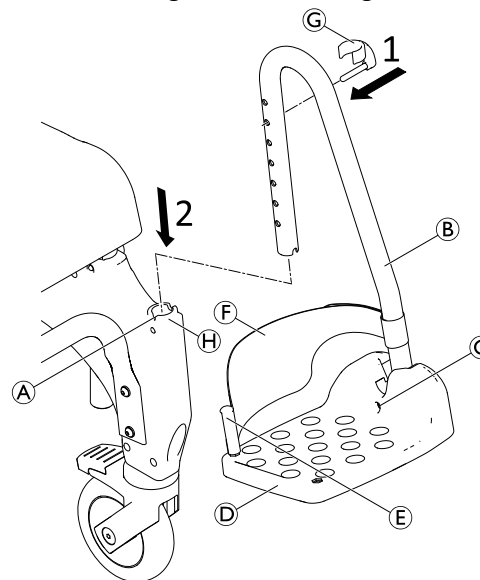
5. Setzen Sie die Schrauben in die Armlehnhalterung ein und schieben Sie sie durch die Löcher im Rückenlehnensrahmen.
6. Setzen Sie die Muttern ggf. wieder in die Halteschelle ein.

7. Platzieren Sie die Halteschelle am Rückenlehnenrahmen und setzen Sie den Befestigungsstift in das kleinere Loch ein.
8. Ziehen Sie die Schrauben in den Muttern fest.
9. Verschieben Sie den Rückenlehnenbezug so, dass der dritte Gurt ober- oder unterhalb der Armlehne verläuft.
10. Führen Sie den dritten Gurt am Rückenlehnenbezug außerhalb des Rückenlehnenrahmens vorbei, schließen Sie alle Gurte und ziehen Sie sie fest.
11. Das Verfahren zur Höhenverstellung ist für die rechte und linke Armlehne identisch.



Um Zubehör anzubringen, lässt sich der dritte Gurt von oben öffnen, so dass der Rückenlehnenbezug innen durch den Rückenlehnenrahmen geführt werden kann.

#### 4.2.5 Anbringen der Fußauflagen




1. Setzen Sie den Stift des Clips © von außen in die vorgesehenen Löcher an der Fußauflage © ein. Achten Sie darauf, dass der Clip das Rohr umschließt.
2. Schieben Sie die Fußauflage in die Führung © vorne am Seitenteil ein, bis der Stift des Clips © in die Aussparung © eingreift. Die Fußauflage lässt sich nun nicht mehr zur Seite drehen.




Der Montagevorgang ist für die rechte und linke Fußauflage identisch.

#### Einstellen der Fußauflagenhöhe

 Die Fußauflagen können ggf. gekürzt werden (siehe Servicehandbuch). Die Kürzung der Fußauflagen darf nur von einem qualifizierten Techniker vorgenommen werden.

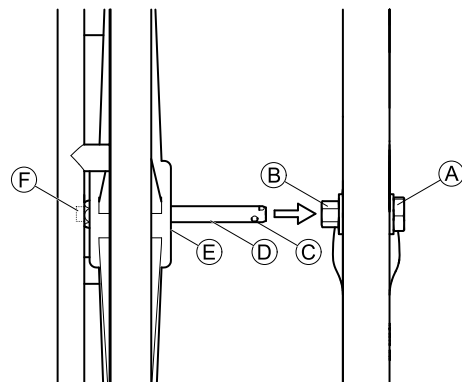
1. Ziehen Sie die Fußauflage **Ⓑ** leicht nach oben.
2. Ziehen Sie den Clip **Ⓒ** aus dem Loch in der Fußauflage und setzen Sie in das entsprechende Loch ein. Ziehen Sie die Fußauflage bei Bedarf ein Stück weiter heraus.
3. Schieben Sie die Fußauflage nach unten, bis der Stift am Clip in die Aussparung **Ⓐ** eingreift.
4. Stellen Sie die andere Fußauflage wie beschrieben auf die erforderliche Höhe ein.

#### Einstellen der Fußplattenneigung

 Die Neigung der Fußplatten ist unbegrenzt stufenlos verstellbar.

1. Lösen Sie mit einem 4-mm-Inbusschlüssel die Inbusschraube **Ⓒ** an der Fußplatte.
2. Drehen Sie die Fußplatte **Ⓓ** in die erforderliche Position.
3. Ziehen Sie die Inbusschraube wieder fest.

#### 4.2.6 Anbringen/Abnehmen der Selbstfahrräder (optional)



#### WICHTIG!

- Wenn die Selbstfahrräder montiert sind, müssen die hinteren Schwenkräder gesperrt sein.
- Die Naben und die Feststellbremsen für die Selbstfahrräder müssen von einem qualifizierten Techniker montiert werden. Die Montage ist in den Montageanweisungen „Montage der Naben und Bremsen für Aquatec® Ocean 24“-Räder“ beschrieben.

1. Richten Sie alle vier Schwenkräder in Fahrtrichtung aus.
2. Sperren Sie alle Schwenkräder.
3. Drücken Sie die Achse **Ⓓ** am Selbstfahrrad nach innen. (Die Greifringe zeigen nach außen.)

4. Halten Sie den Knopf ⑥ an der Außenseite der Achse gedrückt. Dabei werden die Sperrkugeln ③ am Ende der Achse entsperrt.
5. Heben Sie den Dusch- und Toilettenrollstuhl etwas an.
6. Führen Sie die Achse in die Nabe ② ein und schieben Sie das Selbstfahrrad bis zum Anschlag ⑤ auf die Achse.
7. Lassen Sie den Knopf ⑥ wieder los.
8. Überprüfen Sie, ob die Sperrkugeln sich hinter der Sechskantmutter ① befinden.
9. Die Montage ist für das rechte und linke Selbstfahrrad identisch.

Führen Sie die Schritte zum Abnehmen der Räder in umgekehrter Reihenfolge aus.

## 5 Zubehör (optional)

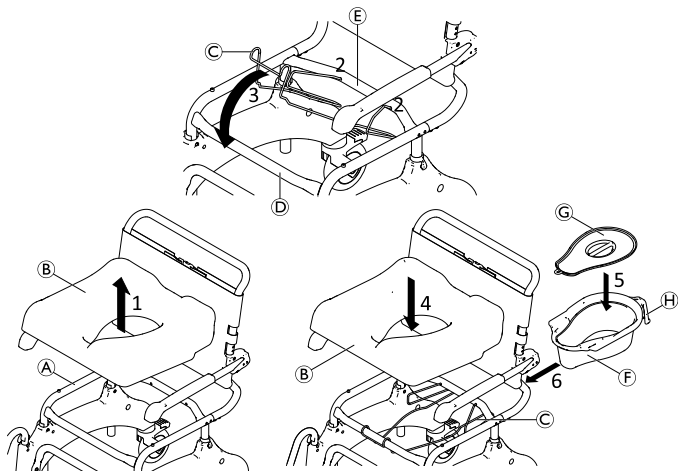



### WARNUNG!

#### Verletzungsgefahr

– Die Montage von Zubehör (optional) muss gemäß den entsprechenden Anweisungen erfolgen.

### 5.1 Befestigen/Entfernen des Toilettentopfhalters und des Toilettentopfs



 Der Toilettentopf (F) kann mit oder ohne Deckel (G) eingesetzt/entfernt werden.

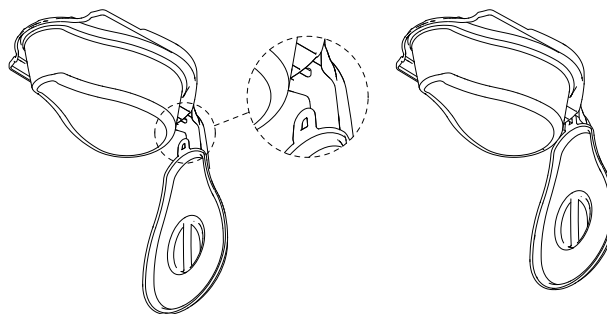
1. Nehmen Sie den Sitz (B) aus dem Rahmen (A) heraus.
2. Positionieren Sie die Enden des Toilettentopfhalters (C) in den Öffnungen des hinteren Querrohrs (E).
3. Lassen Sie den vorderen Teil des Toilettentopfhalters in das vordere Querrohr (D) einrasten.
4. Setzen Sie den Sitz wieder in den Rahmen ein.
5. Bringen Sie den Deckel am Toilettentopf an bzw. entfernen Sie ihn.
6. Halten Sie den Toilettentopf (H) am Griff fest und setzen Sie ihn von der Rückseite her zwischen dem Toilettentopfhalter und dem Sitz ein.



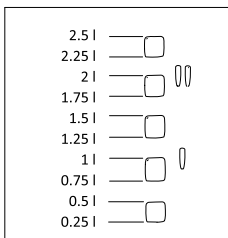
Drücken Sie den Toilettentopf beim Einsetzen/Entfernen leicht nach unten.



Der Deckel kann am Kunststoffhaken an der Unterseite des Toilettentopfgriffs aufgehängt werden.



An der Innenwand des Toilettentopfs befindet sich eine Füllstandsanzeige.



## 6 Verwenden

### 6.1 Sicherheitsinformationen



#### **WARNUNG!**

- Verwenden Sie den Dusch- und Toilettenrollstuhl nur auf ebenen Flächen in Innenräumen.
- Beachten Sie die Angaben auf dem Typenschild. Der Dusch- und Toilettenrollstuhl darf nicht überladen werden.
- Beachten Sie die Sicherheitsaufkleber am Griff der Rückenlehne (2.2 *Schilder und Symbole auf dem Produkt, Seite 35*).
- Beladen Sie den Dusch- und Toilettenrollstuhl nicht mit zu hohem Gewicht.
- Führen Sie vor jeder Verwendung des Produkts eine Sichtkontrolle auf äußere Schäden durch.
- Überprüfen Sie die Funktion der Feststellbremse regelmäßig (nur bei optionalen Selbstfahrrädern).



#### **WARNUNG!**

##### **Rutsch- und Rollgefahr**

- Stellen Sie vor der Verwendung sicher, dass der Sitz fest am Sitzrahmen befestigt ist.
- Verriegeln Sie vor dem Hinsetzen oder Aufstehen aus dem Dusch- und Toilettenrollstuhl sowie in der Parkposition alle Schwenkräder mithilfe der Fußhebel.
- Betätigen Sie die Feststellbremse, wenn die Selbstfahrräder (optional) montiert sind.



#### **WARNUNG!**

##### **Kippgefahr**

- Drehen Sie vor dem Hinsetzen oder Aufstehen die Fußauflagen zur Seite oder klappen Sie die Fußplatten nach oben.
- Drehen Sie vor dem Hinsetzen oder Aufstehen die vorderen Schwenkräder so, dass die Sperrvorrichtung nach vorne weist.
- Stellen Sie sich niemals auf die Fußauflagen.
- Lehnen Sie sich niemals übermäßig nach vorn.



#### **WARNUNG!**

##### **Kippgefahr**

- Der Dusch- und Toilettenrollstuhl darf ausschließlich mit der Schiebestange oder den Selbstfahrrädern (optional) bewegt werden.



#### **VORSICHT!**

##### **Verbrennungsgefahr für die Haut**

- Die Komponenten des Produkts können sich aufheizen, wenn sie externen Wärmequellen ausgesetzt werden.
- Denken Sie daran, dass Oberflächen des Dusch- und Toilettenrollstuhls bei Verwendung in der Sauna oder bei Kontakt mit heißem Wasser aufgeheizt sind.
  - Setzen Sie das Produkt vor Gebrauch keiner direkten Sonneneinstrahlung aus.



**VORSICHT!****Einklemm- oder Quetschgefahr**

Zwischen Hinterrad und Feststellbremse kann ein schmaler Spalt vorhanden sein, bei dem die Gefahr besteht, sich die Finger einzuklemmen.

- Halten Sie die Finger von beweglichen Teilen fern, wenn Sie die Bremse betätigen. Lassen Sie die Hand stets am Bremshebel.

**VORSICHT!****Einklemmgefahr**

- Bei Verwendung der Selbstfahrräder (optional) stecken Sie die Finger nicht zwischen die Speichen oder zwischen die Selbstfahrräder und den Sitzrahmen, wenn der Sitzrahmen in Bewegung ist.

**WICHTIG!****Gefahr einer Beschädigung des Produkts**

- Heben Sie den Dusch- und Toilettenrollstuhl nicht an den Fußauflagen, Armlehnen oder anderen Zubehörteilen an.



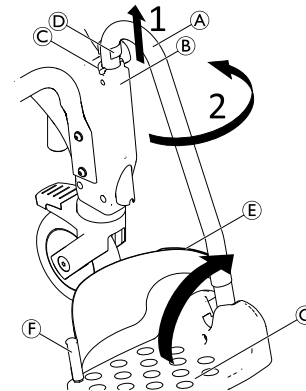
Für Anwender, bei denen die Gefahr besteht, dass sie sich auf die Fußauflagen stellen (z. B. Demenz-Patienten), ist ein vorderer Kippschutz (Art-Nr. AP1601986) als Zubehör verfügbar. Dieser verhindert, dass der Dusch- und Toilettenrollstuhl nach vorne kippt.

## 6.2 Drehen der Armlehnen

**VORSICHT!****Gefahr des Einklemmens der Finger im Faltmechanismus**

- Finger beim Hoch- oder Herunterklappen der Armlehnen nicht in das Drehgelenk kommen lassen.
- Finger beim Zurückklappen der Armlehnen nicht zwischen Arm- und Rückenlehne kommen lassen.
- Darauf achten, dass keine Teile in den Gelenken eingeklemmt werden.

## 6.3 Drehen der Fußauflagen



Position beim Hinsitzen/Aufstehen:

1. Ziehen Sie die Fußauflage (A) in der Führung (B) ein Stück nach oben, bis der Stift des Clips (D) nicht mehr in die Aussparung (C) eingreift.
2. Drehen Sie die Fußauflage zur Seite.

#### Fahrposition:



**VORSICHT!**  
**Unfallgefahr bei nicht fixierter Fußauflage**  
– Fußauflagen in der Fahrposition fixieren.

1. Drehen Sie die Fußauflage (A) nach innen.
2. Schieben Sie die Fußauflage nach unten, bis der Stift am Clip (D) in die Aussparung (C) einrastet.



Alternativ können die Fußplatten (C) auch nach oben geschwenkt werden, um sich auf den Dusch- und Toilettenrollstuhl zu setzen bzw. diesen zu verlassen.

#### Lösen/Befestigen des Fersenbands

1. Öffnen Sie das Klettband (E) am Fersenband.
2. Lösen Sie die Schraube (F) an der Unterseite der Fußplatte.
3. Lösen Sie das Fersenband vom flexiblen Kunststoffstift.



Führen Sie zum Befestigen des Bands die Schritte in umgekehrter Reihenfolge aus.



Achten Sie beim Anbringen darauf, dass der Klettverschluss am Fersenband nach hinten weist.

## 6.4 Festellen/Lösen der Schwenkradverriegelungen

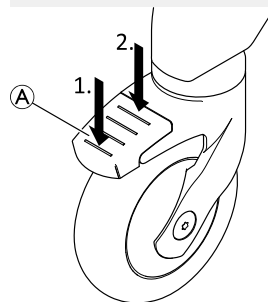


### VORSICHT!

#### Einklemmungs- und Quetschungsgefahr

Alle Schwenkradverriegelungen werden per Fuß bedient.

– Die Schwenkradverriegelungen nicht per Hand bedienen.



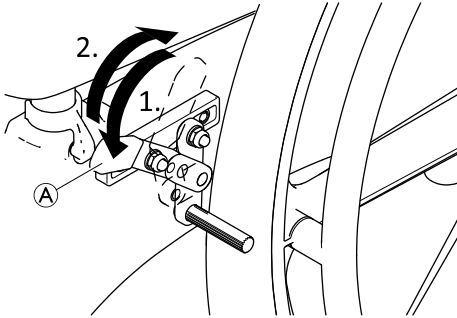
1. Zum Feststellen der Schwenkradverriegelung, treten Sie auf das hintere Ende des Pedals (A), bis es einrastet.
2. Zum Lösen der Schwenkradverriegelung treten Sie auf das vordere Ende des Pedals, bis es sich löst.



Das Schwenkrad mit blauem Hebel (optional) wird verwendet, um die Richtungsverriegelung für eine leichtere gerade Bewegung einrasten zu lassen.

## 6.5 Betätigen/Lösen der Feststellbremsen

Die Feststellbremsen dienen dazu, den Dusch- und Toilettenrollstuhl mit 24"-Rädern im Stand zu fixieren und ein Wegrollen zu verhindern.



1. Zum Betätigen der Feststellbremse drücken Sie den Bremshebel **A** so weit wie möglich nach vorne.
2. Zum Lösen der Feststellbremse ziehen Sie den Bremshebel nach hinten.

## 7 Transport

### 7.1 Sicherheitsinformationen



Das Produkt kann für den Transport in die Einzelteile aus dem Lieferumfang zerlegt werden, siehe Kapitel 3 *Aufbau und Funktion*, Seite 37.

1. Demontage des Produkts: Führen Sie zum Zerlegen des Produkts die Montageschritte in umgekehrter Reihenfolge aus (siehe Kapitel 4 *Inbetriebnahme*, Seite 39).



#### **WICHTIG!**

##### **Gefahr einer Beschädigung des Produkts**

- Das Produkt beim Transport vor Feuchtigkeit schützen.
- Das Produkt keiner direkten Sonneneinstrahlung aussetzen.
- Die in Abschnitt 11.3 *Umgebungsbedingungen*, Seite 59 aufgeführten Transport- und Lagerbedingungen beachten.



#### **WICHTIG!**

- Bei diversen Verbindungen kommen selbstsichernde Schrauben/Muttern oder Schraubensicherungslack zum Einsatz. Wenn diese gelöst werden, müssen sie durch neue selbstsichernde Schrauben/Muttern ersetzt bzw. mit neuem Schraubensicherungslack gesichert werden.

## 8 Instandhaltung

### 8.1 Wartung und Inspektion

Für dieses Produkt ist keine Wartung erforderlich, wenn die unten aufgeführten Reinigungs- und Sicherheitsanweisungen beachtet werden.

Um die Funktion und die Sicherheit des Produkts aufrechtzuerhalten, sollten Sie regelmäßig folgende Überprüfungen vornehmen:

- Überprüfen Sie das Produkt und Zubehör regelmäßig auf Schäden. Verwenden Sie das Produkt nicht, wenn es defekt ist.
- Wenn Schäden oder Fehlfunktionen vorliegen, sollten Sie sich an den Anbieter wenden.
- Vergewissern Sie sich, dass das Produkt ordnungsgemäß zusammengebaut ist und dass alle Schrauben ordnungsgemäß festgezogen wurden.



#### **WARNUNG!**

#### **Gefahr von Verletzungen und Sachschäden**

Ein nicht ordnungsgemäß eingestelltes Produkt kann zu Unfällen und schweren Verletzungen führen.

- Das Produkt darf nur von einem qualifizierten Techniker repariert werden.
- Beschädigte Teile müssen durch einen qualifizierten Techniker ausgetauscht werden.
- Ausschließlich Originalersatzteile von Invacare verwenden.

### 8.2 Reinigung und Desinfektion

Das Produkt kann mithilfe von handelsüblichen Mitteln gereinigt und desinfiziert werden.



#### **WICHTIG!**

- Im Bereich des Badezimmers und der Toilette ist die Beachtung der Hygiene besonders wichtig.
- Halten Sie das Produkt stets sauber und wischen Sie es regelmäßig ab.
  - Desinfizieren Sie das Produkt regelmäßig.

1. Desinfizieren Sie das Produkt, indem Sie alle direkt zugänglichen Oberflächen mit einem Desinfektionsmittel abwischen (das Produkt möglichst vor dem Desinfizieren in seine Einzelteile zerlegen).



#### **WICHTIG!**

- Alle verwendeten Reinigungs- und Desinfektionsmittel müssen wirksam und miteinander verträglich sein und das Material schützen, das mit ihnen gereinigt wird. Weitere Informationen zur Dekontamination in medizinischen Umgebungen finden Sie in den „Empfehlungen der Kommission für Krankenhaushygiene und Infektionsprävention“ auf der Internetseite des Robert Koch-Instituts [www.rki.de](http://www.rki.de).
- Von Hand, in einer Waschmaschine oder im Autoklav reinigen.
  - Keine Scheuermittel verwenden.

## Reinigung in häuslicher Umgebung

1. Entfernen Sie befestigte Zubehörteile (nur Zubehörteile, für die keine Werkzeuge erforderlich sind).
2. Ziehen Sie die Fußauflagen aus den Führungen.
3. Nehmen Sie die Sitzplatte und den Rückenlehnenbezug ab.
4. Wischen Sie die Einzelteile mit einem Tuch oder einer Bürste ab und verwenden Sie dabei handelsübliche Reinigungs- und Desinfektionsmittel.
5. Spülen Sie die Teile mit warmem Wasser ab.
6. Trocknen Sie die Teile mit einem Tuch.
7. Bauen Sie das Produkt wie in Kapitel 4 „Einrichtung“ beschrieben wieder zusammen.

## Reinigung in klinischer Umgebung



Zusätzlich zu der oben beschriebenen Reinigung empfehlen wir, das Produkt vor dem Gebrauch durch einen anderen Patienten, nach dem Nutzungszeitraum oder regelmäßig (je nachdem, was früher eintritt) bei

- 90 °C für 1 Minute
- 85 °C für 3 Minuten
- 80 °C für 10 Minuten

im Autoklav zu reinigen.



### **VORSICHT!**

#### **Verbrennungsgefahr für die Haut**

- Lassen Sie das Produkt nach dem Reinigen in der Waschmaschine oder im Autoklav abkühlen.

## Reinigung des Rückenlehnenbezugs (optional)

1. Nehmen Sie den Rückenlehnenbezug ab.
2. Waschen Sie den Rückenlehnenbezug bei max. 60 °C mit einem milden Waschmittel in der Waschmaschine.



### **WICHTIG!**

#### **Gefahr von Beschädigungen**

- Waschen bei höheren Temperaturen kann Beschädigungen zur Folge haben.
- Nicht im Wäschetrockner trocknen.



### **WICHTIG!**

- Übermäßige Reinigung kann Textilien schädigen.
- Aus hygienischen Gründen empfehlen wir, den Rückenlehnenbezug alle zwei Jahre zu ersetzen.

## Reinigen des Toilettentopfs (optional)

Der Toilettentopf kann im Autoklav gereinigt werden. Hierfür kommen die folgenden Reinigungszyklen (Temperatur/Dauer) in Betracht:

- 90 °C für 1 Minute
- 85 °C für 3 Minuten
- 80 °C für 10 Minuten

---

## 9 Nach dem Gebrauch

---

### 9.1 Lagerung

**WICHTIG!****Gefahr einer Beschädigung des Produkts**

- Das Produkt an einem trockenen Ort lagern.
- Das Produkt nicht in der Nähe von Wärmequellen lagern.
- Das Produkt keiner direkten Sonneneinstrahlung aussetzen.
- Die in Abschnitt 11.3 *Umgebungsbedingungen, Seite 59* aufgeführten Transport- und Lagerbedingungen beachten.

### 9.2 Wiedereinsatz

Das Produkt ist für den wiederholten Gebrauch geeignet. Wie oft das Produkt eingesetzt werden kann, hängt von der Art der Verwendung ab. Reinigen und desinfizieren Sie das Produkt vor dem Wiedereinsatz gründlich (→ 8.2 *Reinigung und Desinfektion, Seite 53*) und überprüfen Sie es auf Beschädigungen und ordnungsgemäße Montage.

### 9.3 Entsorgung

Handeln Sie umweltbewusst und lassen Sie die unterschiedlichen Materialien und Bauteile dieses Produkts nach Ende seiner Lebensdauer über eine lokale Müllverwertungsanlage separat recyceln.

Die Entsorgung und das Recycling von gebrauchten Produkten und Verpackungen muss in Übereinstimmung mit den einschlägigen Gesetzen und Vorschriften des jeweiligen

Landes erfolgen. Wenden Sie sich für weitere Informationen an Ihr Abfallentsorgungsunternehmen.

## 10 Problembehandlung

### 10.1 Erkennen und Beheben von Mängeln



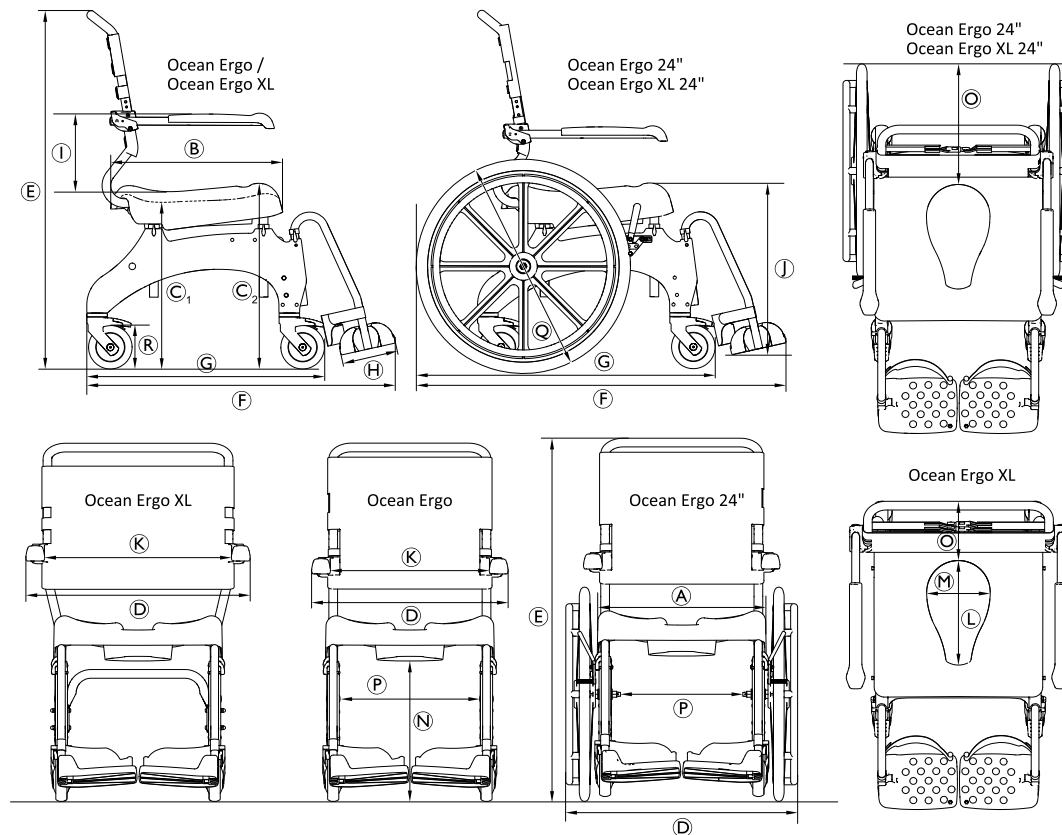
In der folgenden Tabelle finden Sie Informationen zu Mängeln und ihren möglichen Ursachen. Sollte sich der Mangel mit der genannten Abhilfemaßnahme nicht beseitigen lassen, wenden Sie sich bitte direkt an Ihren Fachhändler.

Mangel	Mögliche Ursache	Lösung
Schwierigkeiten beim Einstellen der Sitzhöhe	Schmutz zwischen Sitzrahmen und Seitenteil	Das Produkt in die Teile aus dem Lieferumfang zerlegen und gründlich reinigen.
Die Schwenkräder lassen sich schwer oder gar nicht drehen	Schmutz zwischen Gabel und Felge	Die Schwenkräder gründlich reinigen.
Die Fußauflagen lassen sich nur schwer zur Seite drehen	Ablagerungen in den Führungen	Die Fußauflagen und Führungen gründlich reinigen
Feststellbremse der Räder mit Eigenantrieb (optional) greift nicht	Feststellbremse falsch eingestellt	Die Feststellbremse muss von einem qualifizierten Techniker eingestellt werden.



# 11 Technische Daten

## 11.1 Abmessungen und Gewicht



	Ocean Ergo	Ocean Ergo XL	Ocean Ergo 24"	Ocean Ergo XL 24"
Ⓐ	480 mm			
Ⓑ	480 mm			
Ⓒ <sub>1</sub>	475 mm – 600 mm			
Ⓒ <sub>2</sub>	533 mm – 658 mm			
Ⓓ	565 mm	645 mm	670 mm	
Ⓔ	1020 mm – 1145 mm		1045 mm – 1170 mm	
Ⓕ	905 mm		1050 mm	
Ⓖ	700 mm		850 mm	
Ⓗ	160 mm			
Ⓘ	215 mm / 253 mm / 290 mm	253 mm / 290 mm	215 mm / 253 mm / 290 mm	253 mm / 290 mm
Ⓙ	295 mm – 570 mm			
Ⓚ	455 mm	535 mm	455 mm	535 mm
Ⓛ	350 mm (Oberseite) / 300 mm (Unterseite)			
Ⓜ	250 mm (Oberseite) / 182 mm (Unterseite)			
Ⓝ	400 mm – 525 mm			
Ⓞ	200 mm		355 mm	
Ⓟ	405 mm		360 mm	
Ⓠ	—		Æ 24" (610 mm)	
Ⓡ	Æ 5" (127 mm)			

	Ocean Ergo	Ocean Ergo XL	Ocean Ergo 24"	Ocean Ergo XL 24"
Wendekreis	2100 mm		1940 mm	
Wendebereich	1070 mm		1240 mm	
Produktgewicht	17 kg	18 kg	23 kg	24 kg
Maximales Benutzergewicht	150 kg	180 kg	150 kg	180 kg

## 11.2 Materialien

Rahmen	Edelstahl, pulverbeschichtet
Sitzplatte	Polypropylen
Rückenlehnenbezug	Nylon, PVC-beschichtet
Fußauflagen / Seitenteile	Polypropylen, glasfaserverstärkt
Armlehnenpolster	Polypropylen
Schwenkräder	Kunststoff und Edelstahl
Lauffläche der 24"-Räder	PUR

Alle Komponenten des Produkts sind korrosionsbeständig und enthalten kein Naturkautschuklatex.

## 11.3 Umgebungsbedingungen

Betriebsbedingungen	
Umgebungstemperatur	10 – 65 °C

Relative Luftfeuchtigkeit	15 % – 93 %, nicht kondensierend
Luftdruck	795 bis 1060 hPa
Transport- und Lagerungsbedingungen	
Umgebungstemperatur	0 – 40 °C
Relative Luftfeuchtigkeit	30 % – 75 %, nicht kondensierend
Luftdruck	795 bis 1060 hPa



# Sommaire

Ce manuel DOIT être remis à l'utilisateur du produit. AVANT d'utiliser ce produit, vous DEVEZ lire ce manuel et le conserver pour pouvoir vous y reporter ultérieurement.

<b>1 Généralités</b>	<b>62</b>
1.1 Introduction	62
1.2 Symboles figurant dans ce manuel	62
1.3 Informations de garantie	63
1.4 Conformité	63
1.4.1 Normes spécifiques au produit	63
1.5 Utilisation prévue	63
1.6 Durée de vie	64
<b>2 Sécurité</b>	<b>65</b>
2.1 Informations de sécurité	65
2.2 Étiquettes et symboles figurant sur le produit	65
<b>3 Composants et fonction</b>	<b>67</b>
3.1 Présentation	67
<b>4 Réglages (Mise en service)</b>	<b>69</b>
4.1 Informations de sécurité	69
4.2 Assemblage de la chaise roulante pour douche/toilettes	69
4.2.1 Installation du tube de l'armature du siège pour le réglage de la hauteur	69
4.2.2 Installation du dossier	71
4.2.3 Installation/démontage de la plaque d'assise	72
4.2.4 Réglage de la hauteur des accoudoirs	72
4.2.5 Installation des repose-pieds	73
4.2.6 Installation/démontage des roues pour déplacement manuel (en option)	74
<b>5 Accessoires (en option)</b>	<b>76</b>
5.1 Fixation/démontage du support de chaise percée et de la cuvette de toilettes	76

<b>6 Utilisation</b>	<b>78</b>
6.1 Informations de sécurité	78
6.2 Pivot des accoudoirs	79
6.3 Pivot des repose-pieds	80
6.4 Embrayage/débrayage des dispositifs de verrouillage des roulettes	80
6.5 Embrayage/débrayage des freins de stationnement	81
<b>7 Transport</b>	<b>82</b>
7.1 Informations de sécurité	82
<b>8 Maintenance</b>	<b>83</b>
8.1 Maintenance et inspection	83
8.2 Nettoyage et désinfection	83
<b>9 Après l'utilisation</b>	<b>85</b>
9.1 Stockage	85
9.2 Réutilisation	85
9.3 Mise au rebut	85
<b>10 Dépannage</b>	<b>86</b>
10.1 Identification et résolution des pannes	86
<b>11 Caractéristiques Techniques</b>	<b>87</b>
11.1 Dimensions et poids	87
11.2 Matériaux	89
11.3 Paramètres environnementaux	89

# 1 Généralités

## 1.1 Introduction

Le présent manuel d'utilisation contient des informations importantes sur la manipulation du produit. Pour garantir une utilisation en toute sécurité du produit, lisez attentivement le manuel d'utilisation et respectez les instructions de sécurité.

Veillez noter que certaines sections du présent manuel d'utilisation peuvent ne pas s'appliquer à votre produit, étant donné que le manuel concerne tous les modèles disponibles (à la date d'impression). Sauf mention contraire, chaque section de ce manuel se rapporte à tous les modèles du produit.

Les modèles et les configurations disponibles dans votre pays sont répertoriés dans le catalogue de tarifs spécifique au pays.

Invacare se réserve le droit de modifier les caractéristiques des produits sans préavis.

Avant de lire ce manuel, assurez-vous de disposer de la version la plus récente. Cette version est disponible au format PDF sur le site Internet d'Invacare.

Si la taille des caractères de la version imprimée du manuel d'utilisation vous semble trop difficile à lire, vous pouvez le télécharger au format PDF sur le site Internet. Vous pourrez alors ajuster la taille des caractères à l'écran pour améliorer votre confort visuel.

Pour obtenir plus d'informations sur le produit, comme les avis de sécurité ou les rappels du produit, contactez votre

représentant Invacare local. Reportez-vous aux adresses indiquées à la fin du présent document.

## 1.2 Symboles figurant dans ce manuel

Dans le présent manuel, les mises en garde sont signalées par des symboles. Ces symboles sont accompagnés d'un titre indiquant le niveau de danger.



### AVERTISSEMENT

Indique une situation dangereuse qui, si elle n'est pas évitée, est susceptible de provoquer des blessures graves, voire mortelles.



### ATTENTION

Indique une situation dangereuse qui, si elle n'est pas évitée, est susceptible de provoquer des blessures mineures ou légères.



### IMPORTANT

Indique une situation dangereuse qui, si elle n'est pas évitée, est susceptible de provoquer des dommages matériels.



### Conseils et recommandations

Donne des conseils, recommandations et informations utiles pour une utilisation efficace et sans souci.



Ce produit est conforme à la Directive 93/42/CEE sur les dispositifs médicaux. La date de lancement de ce produit est indiquée dans la déclaration de conformité CE.



Fabricant du produit.

### 1.3 Informations de garantie

Nous fournissons une garantie fabricant pour le produit, conformément à nos conditions générales de vente en vigueur dans les différents pays.

Les réclamations au titre de la garantie ne peuvent être adressées qu'au fournisseur auprès duquel le produit a été obtenu.

### 1.4 Conformité

La qualité est un élément fondamental du fonctionnement de notre entreprise, qui travaille conformément à la norme ISO 13485.

Le présent produit porte le marquage CE, en conformité avec la Directive relative aux dispositifs médicaux 93/42/EEC Classe 1.

Nous nous efforçons en permanence de réduire au minimum notre impact sur l'environnement, à l'échelle locale et mondiale.

Nous n'utilisons que des matériaux et composants conformes au règlement REACH.

#### 1.4.1 Normes spécifiques au produit

Ce produit a été testé et il est conforme à la norme ISO 17966 (Produits d'assistance pour l'hygiène personnelle soutenant les utilisateurs) et à toutes les normes associées. Les tests effectués incluent des tests d'inflammabilité. Il n'y a pas eu de signes de combustion lente progressive ou de départ de flamme.

Pour des informations complémentaires sur les normes et réglementations locales, contactez un représentant Invacare. Reportez-vous aux adresses indiquées à la fin du présent document.

### 1.5 Utilisation prévue

La chaise roulante pour douche/toilettes est uniquement conçue comme un dispositif d'assistance pour la douche ou le bain, et doit être utilisée pour l'hygiène personnelle (par ex. devant la cuvette) ou pour transférer des patients à l'intérieur. Elle est conçue pour être utilisée par un patient jeune ou adulte, avec ou sans l'aide d'un soignant, ayant :

- des difficultés à rester debout ou à garder l'équilibre
- des faiblesses dans les jambes ou une incapacité des membres inférieurs
- un état de santé altérant leur équilibre

Le produit est conçu pour être utilisé en institution ou au domicile du patient. Toute autre utilisation est interdite.



### **AVERTISSEMENT !**

#### **Risque de blessure**

- N'utilisez jamais ce produit comme aide pour rentrer dans la baignoire ou en sortir, pour monter ou descendre, comme support ou tout autre usage semblable.
- N'utilisez par ce produit à l'extérieur.

En tant que chaise toilettes, vous pouvez l'utiliser sur un WC normal ou indépendamment avec le pot de la chaise toilettes (en option).

La chaise roulante pour douche/toilettes peut être employée dans un bassin si l'eau n'est pas salée et si une tierce-personne est présente à tout moment.

Température d'utilisation : 10 °C - 65 °C

## **1.6 Durée de vie**

La durée de vie attendue de ce produit est de cinq ans lorsqu'il est utilisé quotidiennement et dans le respect des consignes de sécurité, des intervalles de maintenance et avec une utilisation correcte, comme indiqué dans le présent manuel. La durée de vie effective peut varier en fonction de la fréquence et de l'intensité de l'utilisation.



## 2 Sécurité

### 2.1 Informations de sécurité



#### AVERTISSEMENT !

##### Risque de blessure ou de dommage matériel

- N'utilisez pas ce produit ni tout autre équipement disponible en option sans avoir lu et compris entièrement les présentes instructions et toute autre documentation d'instructions supplémentaire, telle que les manuels d'utilisation, les manuels de maintenance ou fiches d'instructions fournis avec ce produit ou l'équipement en option.
- Si vous ne comprenez pas les avertissements, mises en garde ou instructions, veuillez contacter un professionnel de santé, un fournisseur Invacare ou un technicien qualifié avant d'essayer d'utiliser cet équipement.



#### AVERTISSEMENT !

##### Risque de blessure

- Ne vous mettez pas debout sur le produit.
- Ne l'utilisez pas comme escabeau.
- Ne l'utilisez en extérieur.



#### AVERTISSEMENT !

##### Risque de blessure

- N'utilisez pas le produit s'il est défectueux.
- En cas de dysfonctionnement, contactez immédiatement votre fournisseur.
- Ne pas procéder à aucune modification non autorisée et ne pas transformer le produit.
- Utilisez uniquement les accessoires conçus pour ce produit



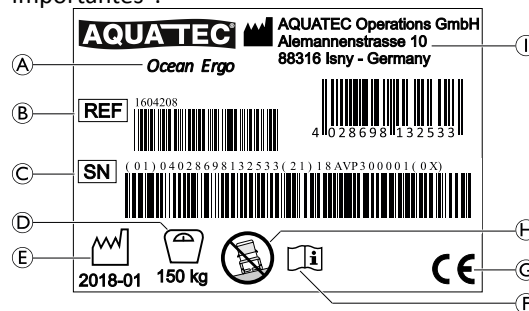
#### IMPORTANT !

Les informations contenues dans ce document peuvent être modifiées sans préavis.

## 2.2 Étiquettes et symboles figurant sur le produit

### Autocollant d'identification

L'autocollant d'identification fournit des informations importantes :



Ⓐ	Désignation du produit
Ⓑ	Numéro de référence
Ⓒ	Numéro de série
Ⓓ	Poids maximal de l'utilisateur
Ⓔ	Date de fabrication
Ⓕ	Consultez le manuel d'utilisation
Ⓖ	Marque de conformité
Ⓗ	Remarque (utilisation uniquement sur des surfaces planes)
Ⓘ	Adresse du fabricant



L'autocollant d'identification est fixé à l'intérieur de la pièce latérale gauche.

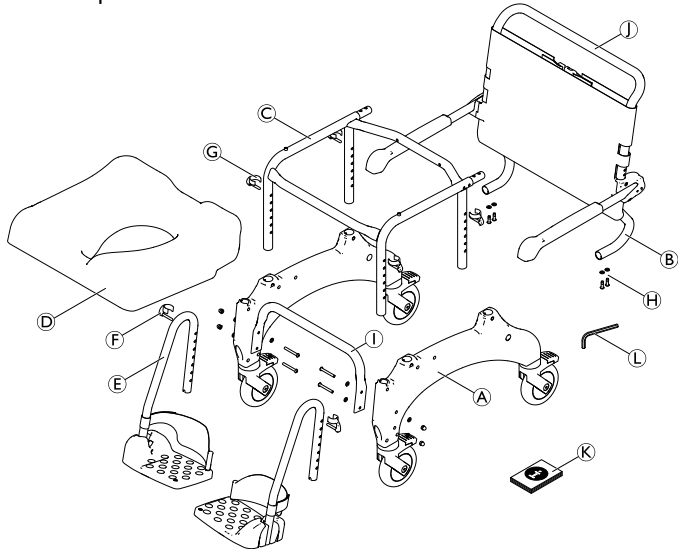
## Étiquettes figurant sur le produit

Les autocollants suivants sont fixés sur la poignée du dossier :	
Libellé	Description
	<p><b>AVERTISSEMENT !</b></p> <p>Risque de basculement</p> <ul style="list-style-type: none"> <li>- Ne marchez pas sur le repose-pied au moment de monter ou de descendre de la chaise roulante pour douche/toilettes.</li> <li>- Poussez les repose-pieds sur les côtés ou repliez les palettes repose-pied avant de monter ou de descendre de la chaise roulante pour douche/toilettes.</li> <li>- Avant de vous asseoir ou de vous mettre debout, tournez les roulettes de manière à ce que le blocage soit orienté vers l'avant.</li> <li>- Ne vous penchez pas trop en avant lorsque vous êtes assis dans la chaise roulante pour douche/toilettes.</li> </ul>

## 3 Composants et fonction

### 3.1 Présentation

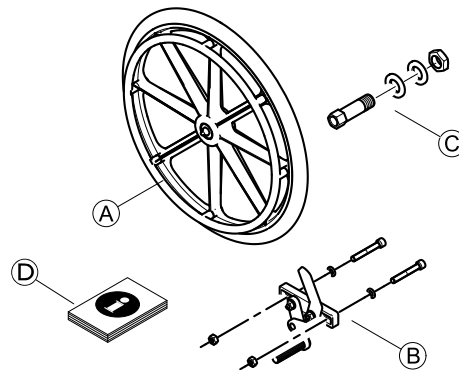
Les composants suivants sont fournis à la livraison :



(A)	Pièce latérale avec roulettes (droite et gauche)
(B)	Dossier avec toile de dossier, et accoudoirs
(C)	Châssis de l'assise
(D)	Siège
(E)	Repose-pied avec sangle talonnière (droit et gauche)

(F)	Clips (x2) de repose-pied (inséré)
(G)	Clips (x4) de l'armature du siège
(H)	Vis et rondelles (x4)
(I)	Tube de stabilisation de la base avec vis (x4), rondelles (x8) et écrous (x4) - Ocean XL uniquement
(J)	Barre de poussée
(K)	Manuel d'utilisation
(L)	Clé Allen AF 4

Les pièces suivantes sont incluses lors de la livraison des roues pour déplacement manuel avec frein de stationnement :

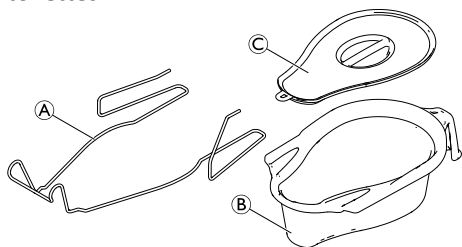


(A)	Roues pour déplacement manuel (x2)
(B)	Freins de stationnement (x2) avec vis (x4), rondelles (x4) et écrous (x4)

C	Moyeux avec axes, rondelles et écrous (x2)
D	Instructions de montage

**i** Notez la modification des dimensions lors de l'installation des roues pour déplacement manuel.  
 Pour plus de détails à ce sujet, consultez le chapitre Caractéristiques techniques.

**Accessoire — Support de chaise percée avec cuvette de toilettes**



A	Support de chaise percée
B	Cuvette de toilettes
C	Couverture

## 4 Réglages (Mise en service)

### 4.1 Informations de sécurité



#### AVERTISSEMENT !

- Vérifiez les pièces afin de vous assurer de l'absence de dommages causés pendant le transport avant toute mise en service. Le cas échéant, contactez votre fournisseur.
- Lors du montage, assurez-vous que les pièces sont correctement positionnées les unes par rapport aux autres.
- Des vis/écrous autobloquants ou un adhésif frein-filet sont utilisés pour plusieurs vissages. S'ils sont desserrés, ils doivent être remplacés par de nouveaux écrous/vis autobloquants ou être refixés avec un nouvel adhésif frein-filet.

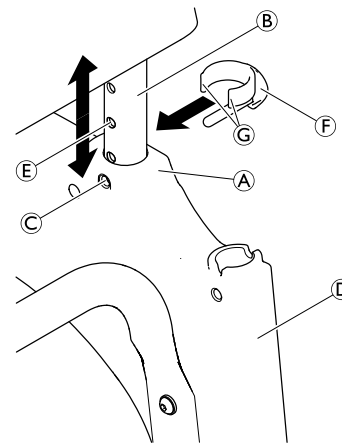
### 4.2 Assemblage de la chaise roulante pour douche/toilettes

Cette section aborde le montage. Procédez en sens inverse pour le démontage.



La hauteur des accoudoirs, la hauteur des repose-pied, l'angle des repose-pied, la sangle talonnière, la tension de la toile de dossier et les accessoires doivent être réglés pour répondre de façon optimale aux besoins de l'utilisateur.

#### 4.2.1 Installation du tube de l'armature du siège pour le réglage de la hauteur



1. Retirez les clips fournis (F) de la pochette F.
2. Placez l'armature du siège sur son côté.



#### IMPORTANT

- Appliquez une pression uniforme pour pousser la pièce latérale sur le châssis sans les tordre.
- Fixez la pièce latérale à la même hauteur à l'avant et à l'arrière.

3. Poussez la pièce latérale (A) avec les guides pour les repose-pieds (C) vers l'avant sur l'armature du siège (B).



Vérifiez que l'autocollant d'identification est fixé à l'intérieur de la pièce latérale gauche.

Vérifiez que l'armature du siège est correctement orientée (reportez-vous au schéma du chapitre 3.1).

- Alignez les pièces de fixation © situées à l'avant et à l'arrière de la pièce latérale sur le trou de l'armature du siège ©.
- Insérez les clips © de l'extérieur dans la pièce latérale, jusqu'à ce que les bords du clip © entourent le tube de l'armature du siège ©.

### ! IMPORTANT

– Assurez-vous que les pièces latérales droite et gauche sont fixées à la même hauteur.

- Tournez l'armature du siège et répétez la procédure de l'autre côté.
- Placez l'armature du siège avec ses pièces latérales sur les roues.

### Réglage de la hauteur d'assise



### AVERTISSEMENT !

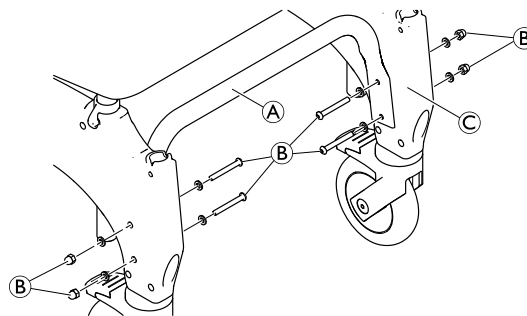
– La hauteur d'assise doit être réglée à la même hauteur des deux côtés.  
– Ne réglez pas la hauteur d'assise si une personne est assise sur la chaise roulante pour douche/toilettes.

- Soulevez légèrement la chaise roulante pour douche/toilettes d'un côté par l'armature du siège ©.
- Retirez les deux clips © de ce côté.
- Tirez sur l'armature du siège pour le dégager de la pièce latérale © ou poussez-le dans la pièce latérale pour régler la hauteur d'assise.
- Repoussez complètement les deux clips ©.
- Répétez les étapes 1 à 4 de l'autre côté.



La hauteur d'assise peut être réglée pour être adaptée à différentes situations, par ex. le transfert depuis un lit ou un fauteuil roulant ou l'utilisation au-dessus des toilettes, etc.

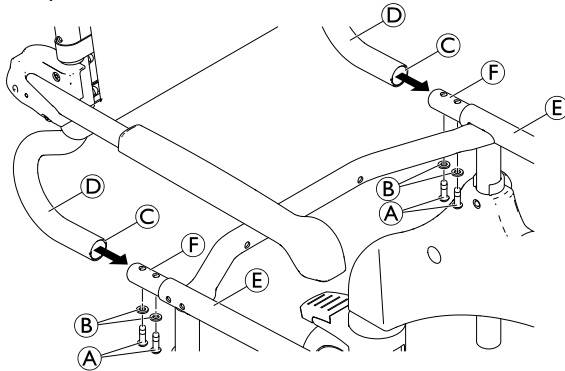
### Installation du tube de stabilisation (Ocean Ergo XL uniquement)



- Installez le tube de stabilisation ©, à l'aide des vis et des écrous © fournis, entre les pièces latérales ©. Assurez-vous que le tube de stabilisation est orienté vers l'avant.
- Serrez les vis à un couple de 5 Nm.

## 4.2.2 Installation du dossier

1. Enfoncez les quatre leviers au pied des roulettes pour bloquer celles-ci.



2. Poussez le dossier **D** par l'arrière sur l'armature du siège **E**, jusqu'à ce que la bride **C** bute contre le tube de l'armature du siège **F**.

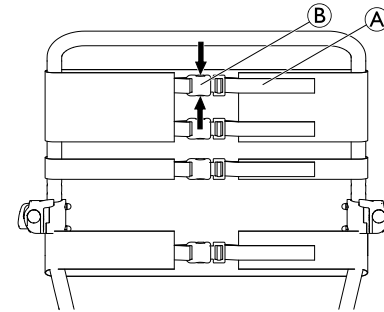
### ! IMPORTANT !

- Serrez fermement les vis au moyen de la clé Allen fournie.
- Vérifiez régulièrement les vis afin de vous assurer qu'elles sont fixées correctement.

3. Placez une rondelle **B** sur chaque vis **A** et fixez le dossier de chaque côté.
4. Serrez les vis à un couple de 5 Nm.

### Réglage de la tension de la toile de dossier

La tension du dossier peut être réglée selon les besoins.



### AVERTISSEMENT !

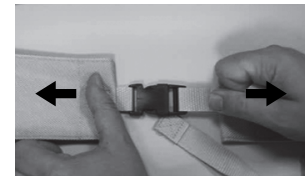
- Veillez à ce qu'au moins trois sangles soient toujours passées autour du cadre du dossier (à l'extérieur) et à ce que les boucles de ceinture soient fermées.

Serrage :

1. Resserrez les sangles **A** de la toile de dossier.

Desserrage :

1. Ouvrez les boucles **B** en comprimant les languettes de fixation (flèches).
2. Allongez légèrement les sangles dans les boucles.
3. Serrez les boucles de ceinture.
4. Resserrez délicatement les sangles.





### AVERTISSEMENT !

#### Risque de blessure due à des boucles de sangles endommagées sur le dossier !

Vérifiez que les boucles de sangles du dossier sont solidement fixées à chaque maintenance ou reconditionnement du produit.

- Vérifiez la fixation solide de tous les clips en fermant les boucles et en tirant sur leurs extrémités.
- Remplacez le dossier/les boucles de sangles du dossier si une boucle s'ouvre sous l'effet de la force exercée.

### 4.2.3 Installation/démontage de la plaque d'assise

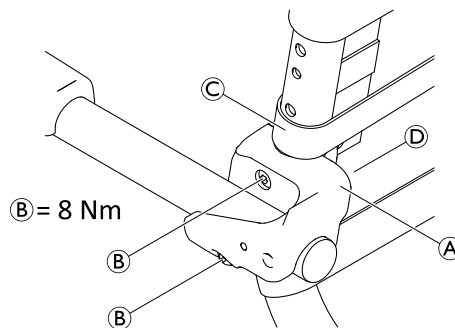
#### Installation :

1. Placez la plaque d'assise sur l'armature du siège avec la découpe orientée vers l'avant.
2. Avec votre main à plat, enfoncez la plaque d'assise sur les côtés, puis à l'avant et à l'arrière jusqu'à ce qu'elle s'enclenche sur l'armature du siège.

#### Démontage :

1. Tirez la plaque d'assise vers le haut à l'arrière.

### 4.2.4 Réglage de la hauteur des accoudoirs



1. Toujours sur la toile de dossier, ouvrez la troisième boucle de ceinture et desserrez les autres ceintures.



Les écrous sont insérés dans la fixation sans être serrés et peuvent donc tomber.

2. Dévissez les vis **B** du support d'accoudoir **A** à l'aide de la clé Allen fournie.
3. Retirez la fixation **D** avec les écrous de l'intérieur du cadre du dossier.
4. Retirez la bride du dossier **A** avec l'accoudoir et déplacez-la vers le haut.



Le trou plus petit sert à maintenir la fixation.

5. Insérez les vis dans le support d'accoudoir et guidez-les à travers les orifices du cadre du dossier.
6. Si nécessaire, remettez les écrous dans la fixation.
7. Placez la fixation sur le cadre du dossier en insérant la broche de fixation dans le petit trou.
8. Vissez les vis dans les écrous et serrez-les.

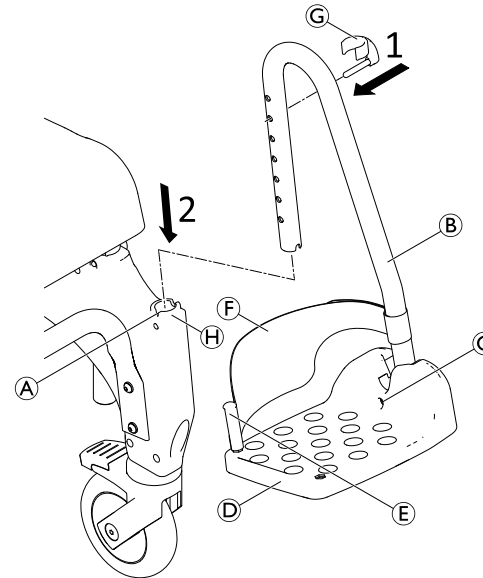


9. Déplacez la toile de dossier de façon à ce que la troisième ceinture passe soit au-dessus, soit au-dessous de l'accoudoir.
10. Faites passer la troisième ceinture de la toile de dossier toujours ouverte à l'extérieur du cadre du dossier, fermez-la et serrez toutes les ceintures.
11. La procédure de réglage de la hauteur est identique pour l'accoudoir droit et gauche



Pour fixer des accessoires, il est possible d'ouvrir la troisième ceinture en partant du haut et de faire passer la toile de dossier par le cadre du dossier de l'intérieur.

#### 4.2.5 Installation des repose-pieds




1. Insérez la broche du clip © par l'extérieur dans le trou souhaité sur le repose-pied ©. Vérifiez que le clip s'enclenche autour du tube.
2. Poussez le repose-pied dans le guide © à l'avant de la pièce latérale jusqu'à ce que la broche du clip © s'engage dans la rainure ©. Le repose-pied ne peut plus être tourné sur le côté.




La procédure de montage est identique pour le repose-pied droit et gauche.

#### Réglage de la hauteur des repose-pieds

 Les repose-pieds peuvent être raccourcis si nécessaire (reportez-vous au manuel de maintenance). Le raccourcissement des repose-pieds doit impérativement être confié à un technicien qualifié.

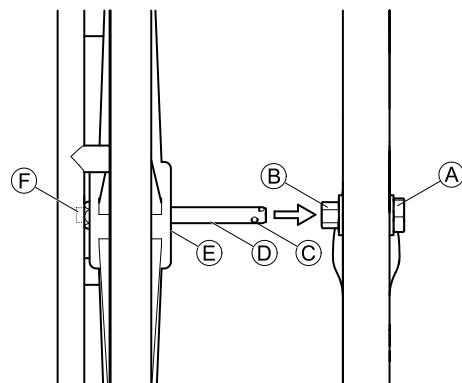
1. Tirez légèrement le repose-pied **B** vers le haut.
2. Tirez le clip **C** hors du trou du repose-pied et réinsérez-le dans le trou souhaité. Ressortez légèrement le repose-pied si nécessaire.
3. Enfoncez le repose-pied jusqu'à ce que la rainure **A** s'engage dans la broche du clip.
4. Réglez l'autre repose-pied à la hauteur requise, comme décrit.

#### Réglage de l'inclinaison des palettes repose-pied

 L'inclinaison des palettes repose-pied peut être réglée de façon variable et progressivement.

1. Desserrez la vis Allen **C** de la palette repose-pieds à l'aide d'une clé Allen de 4.
2. Tournez la palette repose-pieds **D** à la position requise.
3. Resserrez la vis Allen.

#### 4.2.6 Installation/démontage des roues pour déplacement manuel (en option)



#### **!** IMPORTANT !

- Lors de l'installation des roues pour déplacement manuel, les roulettes arrière doivent rester bloquées.
- Les moyeux et les freins de stationnement des roues pour déplacement manuel doivent être installés par un technicien qualifié. Le montage est abordé dans les instructions de montage sous « Montage des moyeux et des freins pour les roues Aquatec® Ocean de 24 pouces ».

1. Alignez les quatre roulettes dans la direction du mouvement de la chaise.
2. Verrouillez toutes les roulettes.

3. Poussez l'axe ④ de la roue pour déplacement manuel vers l'intérieur. (La main courante est dirigée vers l'extérieur.)
4. Maintenez le bouton ⑥ situé à l'extérieur de l'axe enfoncé. Ceci relâche les billes de retenue ③ à l'extrémité de l'axe.
5. Soulevez légèrement la chaise roulante pour douche/toilettes.
6. Insérez l'axe dans le moyeu ② et poussez la roue pour déplacement manuel sur l'axe jusqu'à la butée d'extrémité ⑤.
7. Relâchez le bouton ⑥.
8. Vérifiez que les billes de retenue sont derrière l'écrou hexagonal ①.
9. Les roues pour déplacement manuel droite et gauche s'installent de la même manière.

Pour retirer les roues, procédez en sens inverse.

## 5 Accessoires (en option)

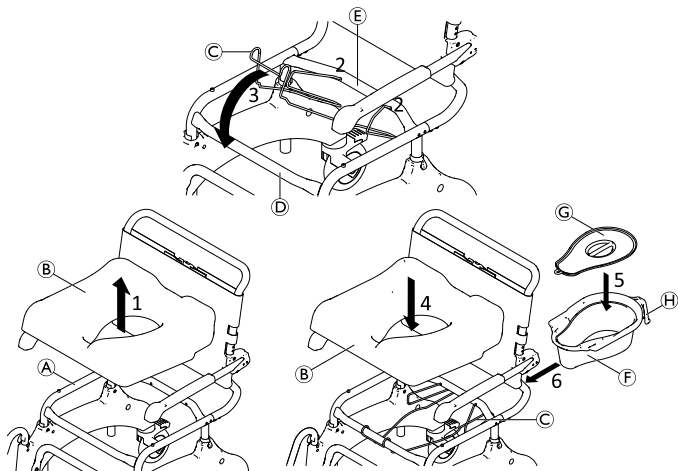


### AVERTISSEMENT !

#### Risque de blessure

– Le montage des accessoires (en option) doit être effectué conformément aux instructions correspondantes.

### 5.1 Fixation/démontage du support de chaise percée et de la cuvette de toilettes



La cuvette de toilettes (F) peut être insérée/retirée avec ou sans le couvercle (G).

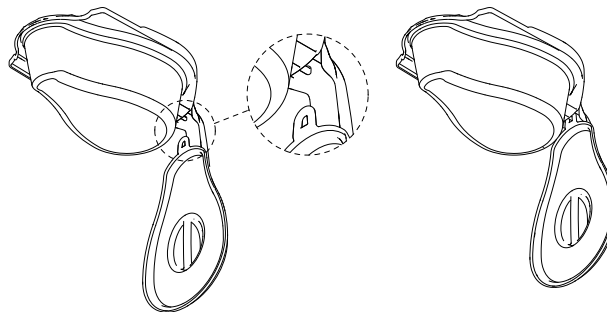
1. Retirez le siège (B) du châssis (A).
2. Positionnez les extrémités du support de chaise percée (C) dans les trous du tube transversal arrière (E).
3. Engagez la partie avant du support de chaise percée avec le tube transversal avant (D).
4. Réinstallez le siège sur le châssis.
5. Placez le couvercle ou retirez-le de la cuvette de toilettes.
6. Tenez la cuvette de toilettes par sa poignée (H) et insérez par l'arrière entre le support de chaise percée et le siège.



Poussez légèrement vers le bas la cuvette de toilettes lors de l'insertion ou du démontage.



Le couvercle peut être suspendu sur le crochet en plastique situé sur la face inférieure de la poignée de la cuvette de toilettes.



La paroi interne de la cuvette de toilettes comporte un indicateur de niveau de remplissage.

2.5 l	<input type="checkbox"/>	
2.25 l	<input type="checkbox"/>	
2 l	<input type="checkbox"/>	<input type="checkbox"/>
1.75 l	<input type="checkbox"/>	<input type="checkbox"/>
1.5 l	<input type="checkbox"/>	
1.25 l	<input type="checkbox"/>	
1 l	<input type="checkbox"/>	<input type="checkbox"/>
0.75 l	<input type="checkbox"/>	
0.5 l	<input type="checkbox"/>	
0.25 l	<input type="checkbox"/>	

## 6 Utilisation

### 6.1 Informations de sécurité



#### AVERTISSEMENT !

- Utilisez uniquement la chaise roulante pour douche/toilettes sur une surface plane et à l'intérieur.
- Respectez les spécifications figurant sur l'autocollant d'identification. Ne surchargez pas la chaise roulante pour douche/toilettes.
- Respectez les instructions de sécurité figurant sur l'autocollant apposé sur la poignée du dossier, 2.2 *Étiquettes et symboles figurant sur le produit, page 65*
- Ne placez pas de poids excessif sur la chaise roulante pour douche/toilettes.
- Effectuez toujours une inspection visuelle du produit afin de déceler toute détérioration avant chaque usage.
- Vérifiez régulièrement la fonction du frein de stationnement (option pour les roues pour déplacement manuel uniquement).



#### AVERTISSEMENT !

##### Risque de roulement ou de glissement

- Avant utilisation, assurez-vous que le siège est bien fixé à l'armature du siège.
- Verrouillez toutes les roulettes à levier à l'aide des pédales avant de vous asseoir sur la chaise roulante pour douche/toilettes ou de vous relever, ainsi qu'en position d'arrêt.
- Serrez le frein de stationnement lorsque les roues pour déplacement manuel sont installées (en option).



#### AVERTISSEMENT !

##### Risque de basculement

- Faites pivoter les repose-pieds sur le côté ou repliez les palettes repose-pieds avant de vous asseoir ou de vous mettre debout.
- Avant de vous asseoir ou de vous mettre debout, tournez les roulettes avant de manière à ce que le blocage soit orienté vers l'avant.
- Ne vous tenez jamais debout sur les repose-pieds.
- Ne vous penchez pas excessivement à l'avant.



#### AVERTISSEMENT !

##### Risque de basculement

- La chaise roulante pour douche/toilettes ne doit être déplacée qu'à l'aide de la barre de poussée ou au moyen des roues automotrices (en option).

**ATTENTION !****Risque de brûlure de la peau**

Les composants du produit peuvent s'échauffer en cas d'exposition à des sources de chaleur externes.

- Faites attention aux surfaces portées à haute température lorsque vous utilisez la chaise roulante pour douche/toilettes dans un sauna ou lorsqu'elle est exposée à de l'eau très chaude.
- N'exposez pas le produit au rayonnement direct du soleil avant de l'utiliser.

**ATTENTION !****Risque de pincement ou d'écrasement**

Il existe parfois un tout petit espace entre la roue arrière et le frein de stationnement dans lequel il est possible de se coincer les doigts.

- N'approchez pas les doigts des pièces mobiles lorsque vous utilisez le frein et gardez toujours la main sur le levier de frein.

**ATTENTION !****Risque de pincement**

- Lors de l'utilisation des roues pour déplacement manuel (en option), ne placez pas les doigts entre les rayons ni entre les roues et l'armature du siège pendant le déplacement.

**IMPORTANT !****Risque d'endommagement du produit**

- Ne vous servez pas des repose-pieds, des accoudoirs ou d'un des accessoires pour soulever la chaise roulante pour douche/toilettes.

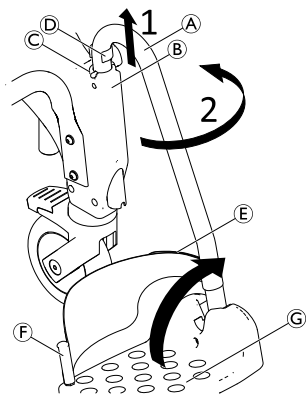


Dans le cas des utilisateurs présentant un risque élevé de monter sur les repose-pieds (par ex. les personnes atteintes de démence), des dispositifs anti-basculer avant (référence n° AP1601986) sont proposés pour empêcher la chaise roulante pour douche/toilettes de basculer en avant.

**6.2 Pivot des accoudoirs****ATTENTION !****Risque de se coincer les doigts dans le mécanisme de pliage**

- N'insérez jamais les doigts dans le joint articulé lorsque vous pliez les accoudoirs vers le bas ou vers le haut.
- Ne placez pas les doigts entre les accoudoirs et le dossier lorsque vous pliez les accoudoirs.
- Assurez-vous qu'aucune pièce ne se coince dans les joints.

## 6.3 Pivot des repose-pieds



### Position d'entrée/position de sortie :

1. Tirez légèrement le repose-pied **A** vers le haut dans le guide **B** jusqu'à ce que la broche du clip **D** ne s'engage plus dans la rainure **C**.
2. Faites pivoter le repose-pied sur le côté.

### Position de déplacement :



#### ATTENTION !

**Risque d'accident provoqué par un repose-pied ballant**

– Fixez que les repose-pieds sont en position de conduite.

1. Faites pivoter le repose-pied **A** vers l'intérieur.
2. Poussez le repose-pied vers le bas jusqu'à ce que la broche du clip **D** s'engage dans la rainure **C**.



Il est aussi possible de faire basculer les palettes repose-pieds **G** vers le haut pour entrer/sortir de la chaise roulante pour douche/toilettes.

### Démontage/fixation de la sangle talonnière

1. Ouvrez la bande autoagrippante **E** de la sangle talonnière.
2. Retirez la vis **F** du dessous de la palette repose-pieds.
3. Retirez la sangle talonnière de la broche en plastique flexible.



Pour fixer la boucle, procédez en sens inverse.



Lors de l'installation, assurez-vous que la bande autoagrippante de la sangle talonnière est orientée vers l'arrière.

## 6.4 Embrayage/débrayage des dispositifs de verrouillage des roulettes



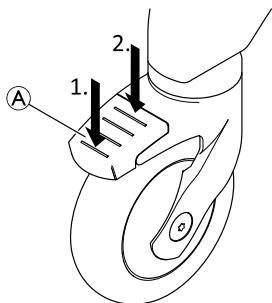
#### ATTENTION !

**Risque de coincement/pincement**


Tous les dispositifs de verrouillage des roulettes sont actionnés au pied.

– N'actionnez pas les dispositifs de verrouillage des roulettes avec la main.



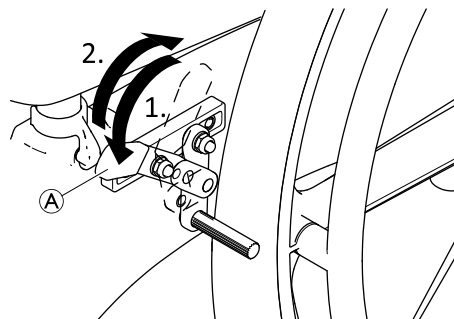


1. Pour actionner les dispositifs de verrouillage des roulettes, appuyez avec le pied sur l'extrémité arrière de la pédale Ⓐ jusqu'à ce qu'elle s'enclenche.
2. Pour déverrouiller les dispositifs de verrouillage des roulettes, appuyez avec le pied sur l'extrémité avant de la pédale A jusqu'à ce qu'elle se libère.

 La roulette équipée d'un levier bleu (en option) sert à embrayer le verrou directionnel pour faciliter un déplacement en ligne droite.

## 6.5 Embrayage/débrayage des freins de stationnement

Les freins de stationnement sont utilisés pour immobiliser la chaise roulante pour douche/toilettes avec des roues de 24" afin de l'empêcher de rouler lorsqu'elle est à l'arrêt.



1. Pour engager le frein de stationnement, poussez le levier de frein Ⓐ vers l'avant aussi loin que possible.
2. Pour débrayer le frein de stationnement, tirez le levier de frein vers l'arrière.

## 7 Transport

### 7.1 Informations de sécurité



Il est possible, en vue du transport, de désassembler le produit pour obtenir les composants fournis à la livraison, voir chapitre 3 *Composants et fonction*, page 67.

1. Désassemblez le produit : Reportez-vous au chapitre 4 *Réglages (Mise en service)*, page 69 en procédant dans le sens inverse des étapes de montage.



#### **IMPORTANT !**



##### **Risque d'endommagement du produit**

- Transportez le produit dans un endroit sec.
- Conservez le produit à l'abri de la lumière directe du soleil.
- Consultez les conditions de stockage et de transport figurant au chapitre 11.3 *Paramètres environnementaux*, page 89.



#### **IMPORTANT !**



- Des vis/écrous autobloquants ou un adhésif frein-filet sont utilisés pour plusieurs vissages. S'ils sont desserrés, ils doivent être remplacés par de nouveaux écrous/vis autobloquants ou être refixés avec un nouvel adhésif frein-filet.

## 8 Maintenance

### 8.1 Maintenance et inspection

Aucune maintenance du produit n'est nécessaire si les instructions de sécurité et de nettoyage indiquées ci-dessous sont respectées.

Pour garantir une bonne performance et la sécurité, les vérifications suivantes doivent être effectuées régulièrement :

- Vérifiez que le produit et les accessoires ne présentent pas de dommages. N'utilisez pas le produit s'il est défectueux.
- En cas de dommage ou de dysfonctionnement, il est recommandé de contacter le fournisseur.
- Assurez-vous que le produit est monté correctement et que toutes les vis sont bien serrées.



#### **AVERTISSEMENT !**

#### **Risque de blessure et de dommage matériel**

Si le produit n'est pas ajusté correctement, il peut provoquer des accidents et des blessures graves.

- Le produit doit être réparé par un technicien compétent.
- Les pièces endommagées doivent être remplacées par un technicien qualifié.
- Utilisez uniquement les pièces de rechange originales Invacare.

### 8.2 Nettoyage et désinfection

Ce produit peut être nettoyé et désinfecté au moyen de produits disponibles dans le commerce.

#### **! IMPORTANT !**

L'hygiène est cruciale dans les zones sensibles que sont la salle de bains et les toilettes.

- Gardez le produit propre à tout moment et essuyez-le régulièrement.
- Désinfectez régulièrement le produit.

1. Désinfectez le produit en essuyant toutes les surfaces généralement accessibles avec un désinfectant (le cas échéant, après son démontage).

#### **! IMPORTANT !**

Tous les désinfectants et agents de nettoyage utilisés doivent être efficaces, compatibles entre eux et protéger les surfaces qu'ils sont censés nettoyer. Pour de plus amples informations sur la décontamination dans des environnements médicaux, veuillez vous reporter aux directives du National Institute for Clinical Excellence relatives à la prévention des infections [www.nice.org.uk/CG139](http://www.nice.org.uk/CG139) et à votre réglementation locale de prévention des infections.

- Nettoyez le produit à la main, en machine ou dans un autoclave.
- Procédez au nettoyage sans produit abrasif.

## Nettoyage dans un environnement domestique

1. Retirez les éventuels accessoires montés (uniquement les accessoires qui ne nécessitent pas d'outils).
2. Retirez les repose-pieds des guides.
3. Retirez la plaque d'assise et la toile de dossier.
4. Essuyez les différentes pièces à l'aide d'un chiffon ou d'une brosse et avec des agents de nettoyage et désinfectants disponibles dans le commerce.
5. Rincez ensuite à l'eau chaude.
6. Essuyez les pièces avec un chiffon sec.
7. Assemblez à nouveau le produit ; reportez-vous au chapitre 4, Montage.

## Nettoyage dans un environnement clinique



En plus du nettoyage décrit ci-dessus, nous recommandons de nettoyer le produit avant qu'il soit utilisé par un autre patient, à la fin d'une période d'utilisation ou de façon régulière (au premier des deux termes atteint) à

- 90 °C pendant 1 minute
- 85 °C pendant 3 minutes
- 80 °C pendant 10 minutes

à l'autoclave.



### ATTENTION !

#### Risque de brûlure de la peau

– Après le nettoyage, laissez le produit refroidir dans la machine ou l'autoclave.

## Nettoyage de la toile de dossier (facultatif)

1. Retirez la toile de dossier.
2. Lavez la toile en machine à une température maximale de 60 °C et avec un détergent doux.



### IMPORTANT !

#### Risque de dommage matériel

– Le lavage à des températures supérieures peut provoquer des dommages.  
– Pas de sèche-linge.



### IMPORTANT !

Un nettoyage excessif peut endommager le textile.

– Nous recommandons de remplacer la toile de dossier tous les deux ans par mesure d'hygiène.

## Nettoyage de la cuvette de toilettes (facultatif)

Vous pouvez nettoyer la cuvette de toilettes dans un autoclave en respectant les températures et durées suivantes :

- 90 °C pendant 1 minute
- 85 °C pendant 3 minutes
- 80 °C pendant 10 minutes.

---

## 9 Après l'utilisation

---

votre organisme local de traitement des déchets pour plus d'informations.

### 9.1 Stockage



#### **IMPORTANT !**

##### **Risque d'endommagement du produit**

- Entreposez le produit dans un endroit sec.
- N'entreposez pas le produit près de sources de chaleur.
- Conservez le produit à l'abri de la lumière directe du soleil.
- Consultez les conditions de stockage et de transport figurant au chapitre *11.3 Paramètres environnementaux*, page 89.

### 9.2 Réutilisation

Ce produit peut être réutilisé. Le nombre d'utilisations dépend de la fréquence et de la manière dont le produit est utilisé. Avant de réutiliser le produit, nettoyez-le et désinfectez-le soigneusement (→ 8.2 *Nettoyage et désinfection*, page 83) et vérifiez qu'il n'y a pas de dommage et que le montage est correct.

### 9.3 Mise au rebut

Préservez l'environnement en faisant recycler les différents matériaux et composants de ce produit séparément dans une déchetterie lorsqu'il est arrivé en fin de vie.

La mise au rebut et le recyclage des produits usagés et de l'emballage doivent respecter la législation et les règlements relatifs à la gestion des déchets de chaque pays. Contactez

## 10 Dépannage

### 10.1 Identification et résolution des pannes

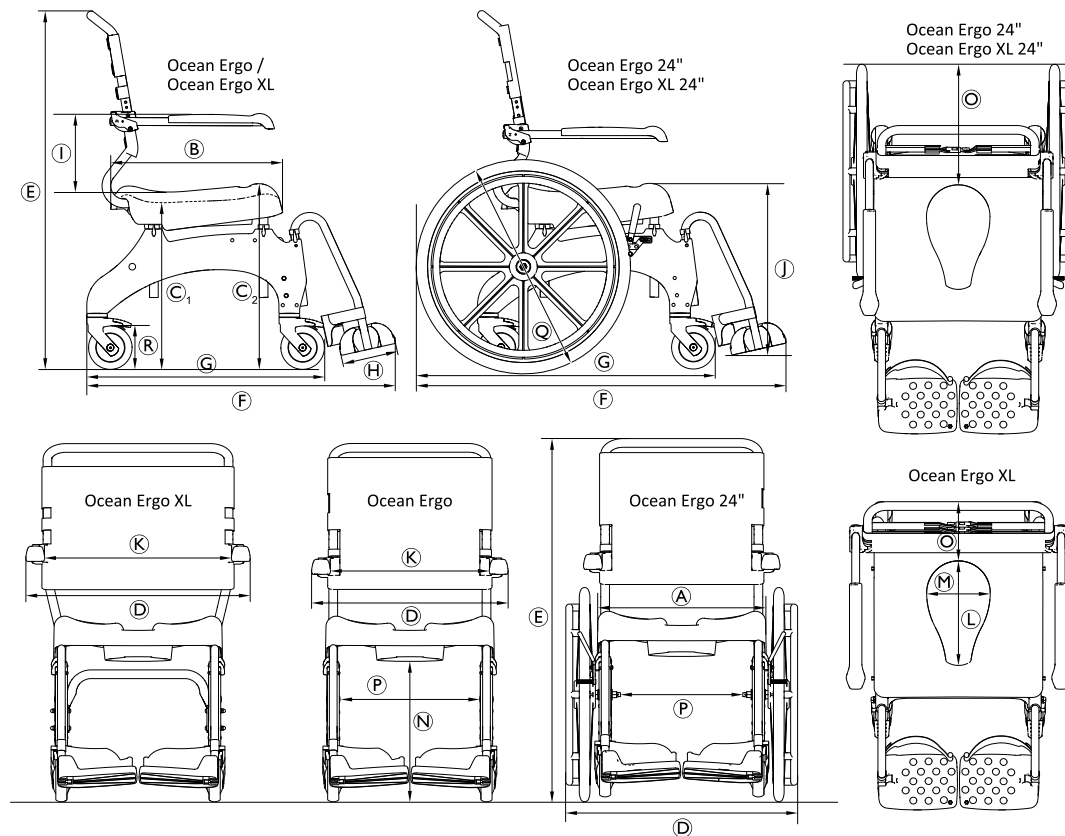


Le tableau suivant fournit des informations sur les défaillances et leurs causes possibles. Si les instructions fournies ne suffisent pas pour remédier au problème, veuillez contacter directement votre revendeur spécialisé.

Défaillance	Cause possible	Solution
Difficulté à régler la hauteur d'assise	Saletés entre l'armature du siège et la section latérale	Désassemblez le produit pour obtenir les composants fournis à la livraison et nettoyez-les méticuleusement
Il est difficile, voire impossible de tourner les roulettes	Saletés entre la fourche et la jante	Nettoyez soigneusement les roulettes
Difficulté à pousser les repose-pieds sur le côté	Dépôts dans les guides	Nettoyez soigneusement les repose-pieds et les guides
Le frein de stationnement des roues pour déplacement manuel (en option) ne s'enclenche pas	Frein de stationnement mal réglé	Le frein de stationnement doit être réglé par un technicien qualifié.

# 11 Caractéristiques Techniques

## 11.1 Dimensions et poids



	Ocean Ergo	Ocean Ergo XL	Ocean Ergo roues 24"	Ocean Ergo XL roues 24"
Ⓐ	480 mm			
Ⓑ	480 mm			
Ⓒ <sub>1</sub>	475 mm – 600 mm			
Ⓒ <sub>2</sub>	533 mm – 658 mm			
Ⓓ	565 mm	645 mm	670 mm	
Ⓔ	1020 mm – 1145 mm		1045 mm – 1170 mm	
Ⓕ	905 mm		1050 mm	
Ⓖ	700 mm		850 mm	
Ⓗ	160 mm			
Ⓘ	215 mm / 253 mm / 290 mm	253 mm / 290 mm	215 mm / 253 mm / 290 mm	253 mm / 290 mm
Ⓙ	295 mm – 570 mm			
Ⓚ	455 mm	535 mm	455 mm	535 mm
Ⓛ	350 mm (haut) / 300 mm (bas)			
Ⓜ	250 mm (haut) / 182 mm (bas)			
Ⓝ	400 mm – 525 mm			
Ⓞ	200 mm		355 mm	
Ⓟ	405 mm		360 mm	
Ⓠ	—		Æ 24" (610 mm)	
Ⓡ	Æ 5" (127 mm)			



	Ocean Ergo	Ocean Ergo XL	Ocean Ergo roues 24"	Ocean Ergo XL roues 24"
Diamètre de braquage	2100 mm		1940 mm	
Largeur de retournement	1070 mm		1240 mm	
Poids du produit	17 kg	18 kg	23 kg	24 kg
Poids maximal de l'utilisateur	150 kg	180 kg	150 kg	180 kg

## 11.2 Matériaux

Châssis	Acier inoxydable, poudré
Plaque d'assise	Polypropylène
Toile de dossier	Nylon, enduit PVC
Repose-pieds/pièces latérales	Polypropylène, renforcement fibre de verre
Garnitures d'accoudoirs	Polypropylène
Roulettes	Plastiques et acier inoxydable
Surface de roulement des roues 24"	PUR

Tous les composants du produit sont résistants à la corrosion et exempts de latex de caoutchouc naturel.

## 11.3 Paramètres environnementaux

Conditions de fonctionnement	
Température ambiante	10 °C - 65 °C
Humidité relative	15 % - 93 %, sans condensation
Pression atmosphérique	795 - 1060 hPa
Conditions de stockage et de transport	
Température ambiante	0 °C - 40 °C
Humidité relative	30 % - 75 %, sans condensation
Pression atmosphérique	795 - 1060 hPa



# Sommario

Il presente manuale deve essere fornito all'utilizzatore del prodotto. PRIMA di utilizzare il prodotto, È NECESSARIO leggere il presente manuale e conservarlo per poterlo consultare in futuro.

<b>1 Generale</b>	<b>92</b>
1.1 Introduzione	92
1.2 Simboli in questo manuale	92
1.3 Informazioni sulla garanzia	93
1.4 Conformità	93
1.4.1 Norme specifiche di prodotto	93
1.5 Uso previsto	93
1.6 Durata	94
<b>2 Sicurezza</b>	<b>95</b>
2.1 Informazioni per la sicurezza	95
2.2 Etichette e simboli sul prodotto	95
<b>3 Componenti</b>	<b>97</b>
3.1 Panoramica	97
<b>4 Messa in servizio</b>	<b>99</b>
4.1 Informazioni per la sicurezza	99
4.2 Montaggio della carrozzina da doccia e da toilette	99
4.2.1 Montaggio del tubo del telaio del sedile per la regolazione dell'altezza	99
4.2.2 Montaggio dello schienale	101
4.2.3 Montaggio/smontaggio della piastra del sedile	102
4.2.4 Regolazione dell'altezza dei braccioli	102
4.2.5 Montaggio dei poggiatesta	103
4.2.6 Montaggio/smontaggio delle ruote ad autospinta (opzionali)	104
<b>5 Accessori (opzionali)</b>	<b>106</b>
5.1 Inserimento/rimozione del supporto della padella e della padella	106

<b>6 Uso</b>	<b>108</b>
6.1 Informazioni per la sicurezza	108
6.2 Rotazione dei braccioli	109
6.3 Rotazione dei poggiatesta	110
6.4 Innesto/disinnesto dei dispositivi di bloccaggio delle ruote orientabili	110
6.5 Innesto/disinnesto dei freni di stazionamento	111
<b>7 Trasporto</b>	<b>112</b>
7.1 Informazioni per la sicurezza	112
<b>8 Manutenzione</b>	<b>113</b>
8.1 Manutenzione e controllo	113
8.2 Pulizia e disinfezione	113
<b>9 Dopo l'utilizzo</b>	<b>115</b>
9.1 Conservazione	115
9.2 Riutilizzo	115
9.3 Smaltimento	115
<b>10 Guida alla soluzione dei problemi</b>	<b>116</b>
10.1 Identificazione e riparazione dei guasti	116
<b>11 Dati Tecnici</b>	<b>117</b>
11.1 Dimensioni e peso	117
11.2 Materiali	119
11.3 Parametri ambientali	119

## 1 Generale

### 1.1 Introduzione

Il presente manuale d'uso contiene informazioni importanti sulla gestione del prodotto. Per garantire un utilizzo sicuro del prodotto, leggere attentamente il manuale d'uso e seguire le istruzioni di sicurezza.

Si noti che alcune sezioni contenute nel presente manuale d'uso potrebbero non riguardare il proprio prodotto, in quanto il presente manuale si applica a tutti i modelli disponibili (alla data di stampa). Se non specificato diversamente, ogni sezione di questo manuale si riferisce a tutti i modelli del prodotto.

I modelli e le configurazioni disponibili nel proprio paese sono riportati nei listini prezzi specifici per paese.

Invacare si riserva il diritto di modificare le specifiche del prodotto senza ulteriore preavviso.

Prima di leggere il presente manuale, verificare di essere in possesso dell'ultima versione, che può essere scaricata dal sito web Invacare sotto forma di PDF.

Se si ritiene che la dimensione dei caratteri nella versione cartacea del Manuale d'uso sia di difficile lettura, è possibile scaricare la versione PDF dal sito web. Il PDF può essere ingrandito sullo schermo in modo da ottenere una dimensione dei caratteri più facile da leggere.

Per ulteriori informazioni sul prodotto, ad esempio le note sulla sicurezza del prodotto e i richiami di prodotti, si prega di contattare il proprio rappresentante Invacare. Vedere gli indirizzi alla fine del presente documento.

### 1.2 Simboli in questo manuale

Il presente manuale contiene simboli di avvertimento per indicare eventuali pericoli. Tali simboli sono accompagnati da un'intestazione che indica la gravità del pericolo.



#### ATTENZIONE

Indica una situazione di pericolo che, se non evitata, potrebbe essere causa di morte o lesioni gravi.



#### AVVERTENZA

Indica una situazione di pericolo che, se non evitata, potrebbe essere causa di lesioni minori o leggere.



#### IMPORTANTE

Indica una situazione di pericolo che, se non evitata, potrebbe essere causa di danni al prodotto.



#### Consigli e raccomandazioni

Indica consigli, raccomandazioni e informazioni utili per un uso efficace e senza inconvenienti.



Questo prodotto è conforme alla direttiva 93/42/CEE relativa ai dispositivi medici. La data di lancio di questo prodotto è indicata nella dichiarazione di conformità CE.



Produttore del prodotto.

### 1.3 Informazioni sulla garanzia

Offriamo una garanzia del produttore per il prodotto in conformità di quanto indicato sui Termini e le condizioni generali di vendita applicabili nei rispettivi paesi.

La garanzia può essere fatta valere solo attraverso il fornitore presso il quale è stato acquistato il prodotto.

### 1.4 Conformità

La qualità è fondamentale perché l'azienda operi nel rispetto e nell'ambito della norma ISO 13485.

Il prodotto è dotato di marchio CE, in conformità con la Direttiva 93/42/CEE concernente i dispositivi medici della classe 1.

Lavoriamo costantemente per garantire che l'impatto ambientale dell'azienda a livello locale e globale sia ridotto al minimo.

Garantiamo di utilizzare esclusivamente materiali e componenti conformi alla direttiva REACH.

#### 1.4.1 Norme specifiche di prodotto

Il prodotto è stato testato ed è conforme alla norma ISO 17966 (Ausili per l'igiene personale per il sostegno degli utilizzatori) e alle norme correlate. Ciò include le prove relative all'infiammabilità. Non si verifica alcuna accensione a causa della combustione progressiva o dell'accensione di fiamma.

Per ulteriori informazioni sulle norme e le disposizioni locali, contattare il rappresentante locale Invacare. Vedere gli indirizzi alla fine del presente documento.

### 1.5 Uso previsto

La carrozzina da doccia e da toilette è concepita esclusivamente come ausilio per la doccia o il bagno, per l'utilizzo del WC e durante le pratiche di igiene personale (ad esempio, davanti al lavabo) o per lo spostamento dei pazienti in ambienti al coperto. È destinato all'uso da parte di un paziente giovane o adulto, con o senza l'assistenza di un assistente, con:

- difficoltà a stare in piedi o a mantenere l'equilibrio
- gambe deboli o disabilità agli arti inferiori
- condizioni mediche tali da pregiudicare l'equilibrio

Il prodotto è destinato all'uso in un ambiente domestico e ospedaliero. Qualsiasi altro uso è vietato.



#### **ATTENZIONE!**

##### **Pericolo di lesioni**

- Non utilizzare mai il prodotto come ausilio per entrare o uscire da vasca da bagno, per salire o scendere, come supporto o per scopi simili.
- Non utilizzare il prodotto all'aperto.

Come carrozzina da toilette, è possibile utilizzare il prodotto su un WC standard o in modo indipendente con la padella (opzionale).

La carrozzina da doccia e da toilette può essere utilizzata come sgabello da bagno in una piscina, solo se la piscina non contiene acqua salata e sotto la costante sorveglianza di un assistente.

Temperatura per l'utilizzo: 10 - 65 °C

## **1.6 Durata**

La durata prevista per questo prodotto è di cinque anni, a condizione che sia utilizzato quotidianamente e in conformità alle istruzioni per la sicurezza, seguendo gli intervalli di manutenzione e le indicazioni per un uso corretto come indicato nel presente manuale. La durata effettiva può variare a seconda della frequenza e dell'intensità d'uso.

## 2 Sicurezza

### 2.1 Informazioni per la sicurezza



#### ATTENZIONE!

##### Pericolo di lesioni o danni

- Non usare questo prodotto o nessun altro dispositivo opzionale disponibile senza prima aver letto attentamente e compreso fino in fondo le presenti istruzioni e ogni altro materiale informativo come il manuale d'uso, il manuale per la manutenzione o i fogli di istruzione forniti con questo prodotto o con i dispositivi opzionali.
- Qualora alcune avvertenze, precauzioni o istruzioni fossero di difficile comprensione, contattare un operatore sanitario, il fornitore Invacare o un tecnico qualificato prima di iniziare a utilizzare questa apparecchiatura.



#### ATTENZIONE!

##### Pericolo di lesioni

- Non salire in piedi sul prodotto.
- Non utilizzare come ausilio per arrampicarsi.
- Non utilizzare all'aperto.



#### ATTENZIONE!

##### Pericolo di lesioni

- Non utilizzare se difettoso.
- In caso di malfunzionamento, contattare immediatamente il fornitore.
- Non apportare modifiche o alterazioni non autorizzate al prodotto.
- Utilizzare solo gli accessori destinati a questo prodotto.



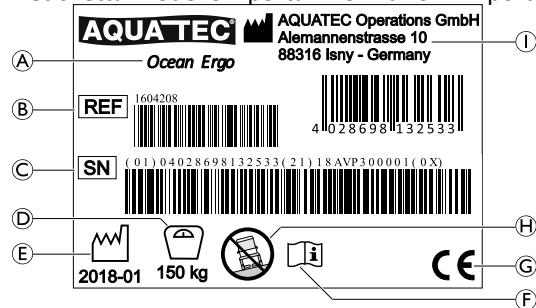
#### IMPORTANTE!

Le informazioni contenute nel presente manuale possono essere modificate senza preavviso.

### 2.2 Etichette e simboli sul prodotto

#### Etichetta modello

L'etichetta modello riporta informazioni importanti:



Ⓐ	Denominazione del prodotto
Ⓑ	Codice di riferimento

Ⓒ	Numero di serie
Ⓓ	Peso max. utilizzatore
Ⓔ	Data di produzione
Ⓕ	Leggere il manuale d'uso
Ⓖ	Contrassegno di conformità
Ⓗ	Nota (utilizzare solo su superfici piane)
Ⓘ	Indirizzo del produttore



L'etichetta modello è attaccata sul lato interno della parte laterale sinistra.

## Etichette sul prodotto

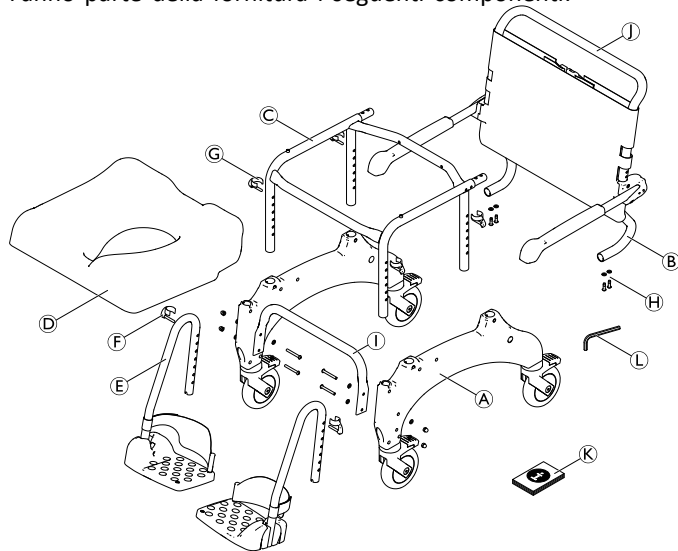
La seguente etichetta è attaccata sull'impugnatura dello schienale:	
Etichetta	Descrizione
	<p><b>ATTENZIONE!</b></p> <p>Rischio di ribaltamento</p> <ul style="list-style-type: none"> <li>– Non salire sul poggiatesta salendo o scendendo dalla carrozzina da doccia e da toilette.</li> <li>– Ruotare lateralmente i poggiatesta o piegare verso l'alto le pedane prima di salire o scendere dalla carrozzina da doccia e da toilette.</li> <li>– Prima di sedersi o di alzarsi, ruotare le ruote orientabili in modo che il dispositivo di bloccaggio sia rivolto in avanti.</li> <li>– Non sporgersi troppo in avanti quando si è seduti sulla carrozzina da doccia e da toilette.</li> </ul>



## 3 Componenti

### 3.1 Panoramica

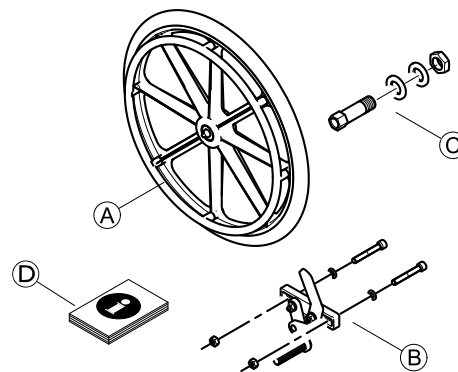
Fanno parte della fornitura i seguenti componenti:



(A)	Parte laterale con ruote orientabili (sinistra e destra)
(B)	Schienale con rivestimento e braccioli
(C)	Telaio del sedile
(D)	Sedile
(E)	Poggiatesta con cinturino per caviglie (sinistro e destro)

(F)	Morsetti (2x) per poggiatesta (inserito)
(G)	Morsetti (4x) per telaio del sedile
(H)	Viti e rondelle (4x)
(I)	Tubo di stabilizzazione di base con viti (4x), rondelle (8x) e dadi (4x) - solo per Ocean XL
(J)	Barra di spinta
(K)	Manuale d'uso
(L)	Chiave a brugola AF 4

Le seguenti parti vengono fornite insieme alle ruote ad autospinta con freno di stazionamento:

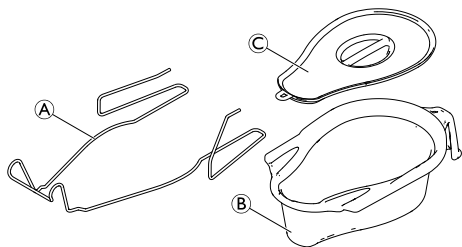


(A)	Ruote ad autospinta (2x)
(B)	Freni di stazionamento (2x) con viti (4x), rondelle (4x) e dadi (4x)

Ⓒ	Mozzi inclusi assali con rondelle e dadi (2x)
Ⓓ	Istruzioni di montaggio

**i** Si tenga presente la variazione delle dimensioni conseguente all'installazione delle ad autospinta. Per informazioni dettagliate fare riferimento al capitolo Dati tecnici.

### Accessorio - supporto per padella con padella



Ⓐ	Supporto per padella
Ⓑ	Padella
Ⓒ	Coperchio

## 4 Messa in servizio

### 4.1 Informazioni per la sicurezza



#### ATTENZIONE!

- Prima della messa in servizio, verificare che le parti non presentino danni dovuti al trasporto e contattare il fornitore, se necessario.
- Assicurarsi che durante il montaggio le parti siano posizionate correttamente l'una rispetto all'altra.
- In diversi punti di giuntura sono impiegati dadi, viti autobloccanti o adesivo per filettature. Qualora questi elementi risultino allentati, è necessario sostituirli con nuove viti/dadi autobloccanti oppure fissarli con nuovo adesivo per filettature.

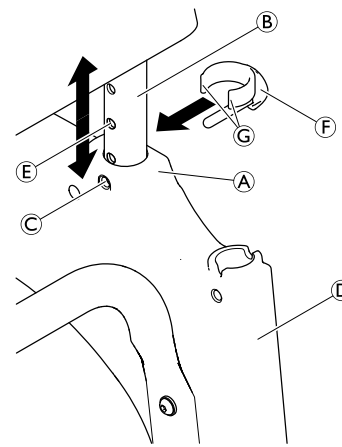
### 4.2 Montaggio della carrozzina da doccia e da toilette

Questa sezione descrive il montaggio. Lo smontaggio avviene nell'ordine inverso.



È necessario regolare l'altezza dei braccioli, l'altezza del poggiatesta, l'angolazione del poggiatesta, il cinturino per caviglie, il tensionamento del rivestimento dello schienale e gli accessori in modo che si adattino in modo ottimale all'utilizzatore.

#### 4.2.1 Montaggio del tubo del telaio del sedile per la regolazione dell'altezza



1. Togliere i morsetti (F) dalla busta.
2. Posizionare il telaio del sedile sul suo lato.



#### IMPORTANTE

- Spingere la parte laterale in modo uniforme sul telaio senza ruotarla.
- Fissare la parte laterale alla stessa altezza, davanti e dietro.

3. Premere la parte laterale (A) con le guide per i poggiatesta (C) in avanti sul telaio del sedile (B).



Assicurarsi che l'etichetta modello sia attaccata sul lato interno della parte laterale sinistra.

Assicurarsi che l'orientamento del telaio del sedile sia corretto (vedere l'immagine nel capitolo 3.1).

4. Allineare le staffe a morsetto © sulla parte anteriore e posteriore della parte laterale con un foro presente nel telaio del sedile ⑤.
5. Inserire i morsetti ⑥ dall'esterno nella parte laterale, finché i bordi dei morsetti ③ non avvolgono il tubo del telaio del sedile ②.

### ! IMPORTANTE

– Assicurarsi che le parti laterali destra e sinistra siano posizionate alla stessa altezza.

6. Girare il telaio del sedile e ripetere la procedura sulla seconda parte laterale.
7. Dopo aver montato le parti laterali, posizionare il telaio del sedile sulle proprie ruote.

### Regolazione dell'altezza del sedile



### ATTENZIONE!

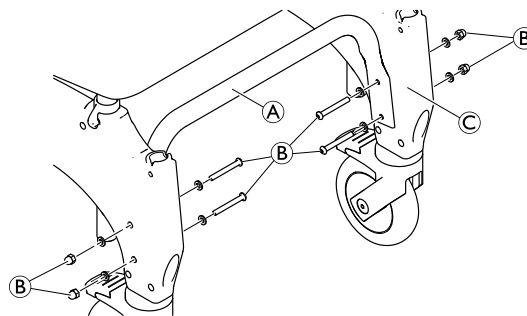
– L'altezza del sedile deve essere regolata in modo uniforme su entrambi i lati.  
 – Non regolare l'altezza del sedile mentre c'è una persona seduta sulla carrozzina da doccia e da toilette.

1. Sollevare leggermente la carrozzina da doccia e da toilette da un lato del telaio del sedile ②.
2. Rimuovere entrambi i morsetti ⑥ da questo lato.
3. Per regolare l'altezza del sedile, estrarre il telaio del sedile dalla parte laterale ① oppure premerlo fino a inserirlo nella parte laterale.
4. Spingere entrambi i morsetti fino in fondo.
5. Ripetere i passaggi 1-4 sull'altro lato.



L'altezza del sedile può essere regolata per adattarsi a diverse situazioni di utilizzo, ad esempio per il trasferimento da un letto o da una carrozzina oppure per l'uso sopra una toilette, ecc.

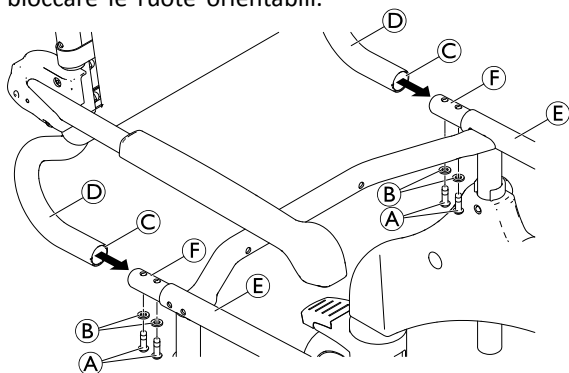
### Montaggio del tubo di stabilizzazione di base (solo per Ocean Ergo XL)



1. Installare il tubo di stabilizzazione di base ① mediante le viti e i dadi ② in dotazione tra le parti laterali ③. Assicurarsi che il tubo di stabilizzazione sia rivolto verso l'alto.
2. Serrare le viti con una coppia di 5 Nm.

## 4.2.2 Montaggio dello schienale

1. Spingere verso il basso tutti e quattro i pedali per bloccare le ruote orientabili.



2. Spingere lo schienale **D** dalla parte posteriore sul telaio del sedile **E**, fino a che la fascetta **C** non tocca il tubo del telaio del sedile **F**.

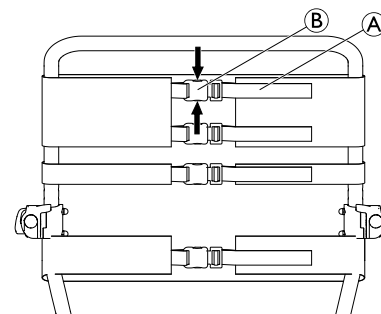
### ! IMPORTANTE!

- Serrare saldamente le viti con la chiave a brugola in dotazione.
- Controllare le viti regolarmente per assicurarsi che siano ben fissate.

3. Posizionare una rondella **B** su ogni vite **A** e fissare lo schienale su entrambi i lati.
4. Serrare le viti con una coppia di 5 Nm.

### Regolazione del rivestimento dello schienale

È possibile regolare la tensione dello schienale in base alle proprie esigenze.



### ATTENZIONE!

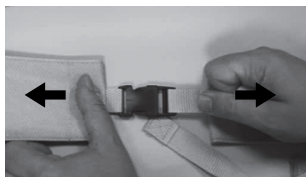
- Assicurarsi che almeno tre cinture siano sempre fatte passare intorno al lato esterno del telaio dello schienale e che le relative fibbie siano fissate.

Tensionamento:

1. Tirare le cinture **A** per tendere maggiormente il rivestimento dello schienale.

Allentamento:

1. Aprire le fibbie **B** premendo le alette di fissaggio (come indicato dalle frecce).
2. Spingere leggermente all'indietro le cinture attraverso la fibbia.
3. Serrare le fibbie delle cinture.
4. Tirare nuovamente le cinture con delicatezza.



#### **ATTENZIONE!**

#### **Pericolo di lesioni dovute a fibbie dello schienale danneggiate!**

Verificare che le fibbie dello schienale siano saldamente fissate ogni volta che il prodotto viene sottoposto a manutenzione e con cadenza annuale.

- Controllare che tutti i fermi delle fibbie siano fissati in modo sicuro chiudendo le fibbie e tirando da entrambe le estremità.
- Sostituire lo schienale o le fibbie dello schienale se una fibbia si apre quando è sottoposta alla forza applicata.

### **4.2.3 Montaggio/smontaggio della piastra del sedile**

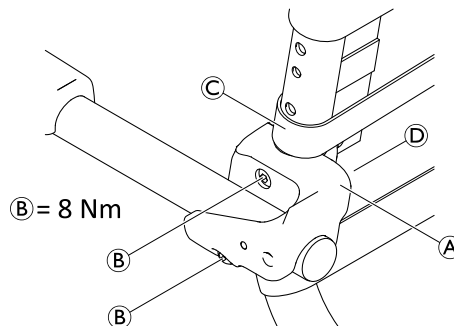
#### **Montaggio:**

1. Posizionare la piastra del sedile sul telaio del sedile con l'apertura rivolta in avanti.
2. Con la mano aperta, spingere la piastra del sedile verso il basso sui lati e sulla parte anteriore e posteriore fino a far scattare la piastra del sedile bloccandola nel telaio del sedile.

#### **Smontaggio:**

1. Sollevare la piastra del sedile nella parte posteriore.

### **4.2.4 Regolazione dell'altezza dei braccioli**



1. Sul rivestimento dello schienale, aprire la terza fibbia della cintura e allentare le altre cinture.



I dadi sono inseriti nel fermo di fissaggio senza essere serrati, pertanto possono cadere.

2. Svitare le viti (B) della staffa del bracciolo (A) servendosi della chiave a brugola in dotazione.
3. Estrarre il fermo di fissaggio (D) con i dadi dal telaio dello schienale.
4. Rimuovere la staffa dello schienale (A) con il bracciolo e spostarla verso l'alto.



Il foro più piccolo serve a bloccare il fermo di fissaggio.

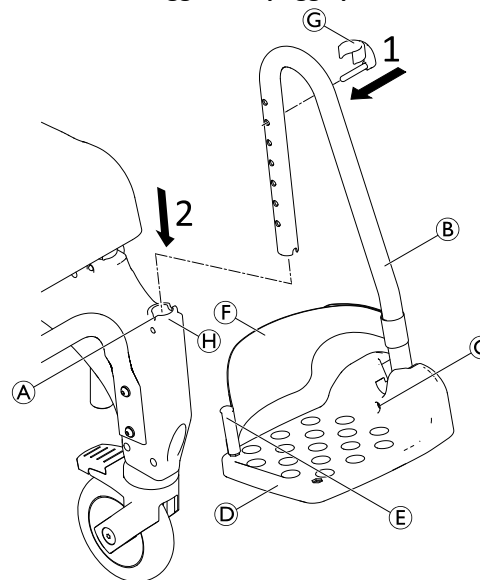
5. Inserire le viti nella staffa del bracciolo e guidarle attraverso i fori nel telaio dello schienale.
6. Se necessario, inserire nuovamente i dadi nel fermo di fissaggio.

7. Posizionare il fermo di fissaggio sul telaio dello schienale inserendo il perno di fissaggio nel foro più piccolo.
8. Girare le viti nei dadi e serrare.
9. Spostare il rivestimento dello schienale in modo che la terza cintura passi sopra o sotto il bracciolo.
10. Far passare la terza cintura del rivestimento dello schienale all'esterno del telaio dello schienale, chiuderla e stringere tutte le cinture.
11. La procedura di regolazione dell'altezza è identica per il bracciolo destro e sinistro.



Per collegare gli accessori, la terza cintura dall'alto può essere aperta e il rivestimento dello schienale può essere fatto passare sul lato interno del telaio dello schienale.

#### 4.2.5 Montaggio dei poggiatesta




1. Inserire il perno del morsetto © dall'esterno nel foro richiesto sul poggiatesta (B). Assicurarsi che il morsetto si innesti intorno al tubo.
2. Spingere il poggiatesta nella guida (H) nella parte anteriore laterale finché il perno del morsetto © si innesta nella scanalatura (A). Il poggiatesta non può più essere girato lateralmente.




La procedura di montaggio è identica per i poggiatesta destro e sinistro.

#### Regolazione dell'altezza dei poggiatesta

 Se necessario, il poggiapiedi può essere accorciato (consultare il manuale per la manutenzione). L'accorciamento del poggiapiedi deve essere eseguito da un tecnico qualificato.

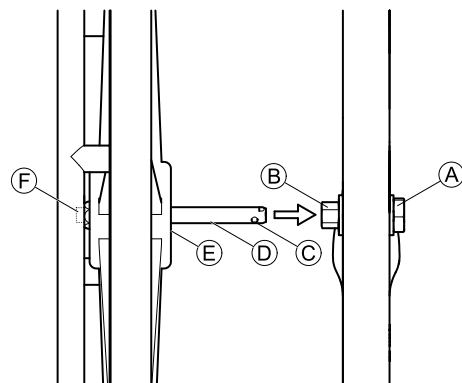
1. Tirare leggermente verso l'alto il poggiapiedi ⑥.
2. Spingere il perno ③ fuori dal foro del poggiapiedi e reinserirlo nel foro richiesto. Se necessario, estrarre leggermente ancora un po' il poggiapiedi.
3. Spingere il poggiapiedi verso il basso affinché la scanalatura ④ si innesti sul perno del fermo a scatto.
4. Regolare l'altro poggiapiedi all'altezza richiesta, come descritto.

#### Regolazione dell'inclinazione delle pedane poggiapiedi

 L'inclinazione delle pedane può essere regolata all'infinito in modo variabile.

1. Allentare la vite a brugola ③ sulla pedana servendosi di una chiave a brugola da 4.
2. Portare la pedana ④ nella posizione richiesta.
3. Stringere nuovamente la vite a brugola.

#### 4.2.6 Montaggio/smontaggio delle ruote ad autospinta (opzionali)



#### ! IMPORTANTE!

- Durante il montaggio delle ruote ad autospinta, le ruote posteriori orientabili devono rimanere bloccate.
- I mozzi e i freni di stazionamento per le ruote ad autospinta devono essere montati da un tecnico qualificato. Il montaggio è descritto nelle istruzioni di montaggio "Montaggio dei mozzi e freni per le ruote Aquatec® Ocean da 24"".

1. Allineare tutte e quattro le ruote orientabili nella direzione di marcia.
2. Bloccare tutte le ruote orientabili.



3. Spingere l'assale ④ verso l'interno sulla ruota ad autospinta. (Gli anelli corrimano sporgono verso l'esterno.)
4. Premere e tenere premuto il pulsante ⑥ sull'esterno dell'assale. Quest'operazione libera le sfere di ritenuta ③ all'estremità dell'assale.
5. Sollevare leggermente la carrozzina da doccia e da toilette.
6. Inserire l'assale nel mozzo ② e premere la ruota ad autospinta sull'assale fino all'estremità ⑤.
7. Rilasciare il pulsante ⑥.
8. Controllare che le sfere di ritenuta siano dietro il dado esagonale ①.
9. Il montaggio delle ruote ad autospinta avviene nello stesso modo.

Per rimuovere le ruote seguire la stessa procedura, ma nell'ordine inverso.

## 5 Accessori (opzionali)

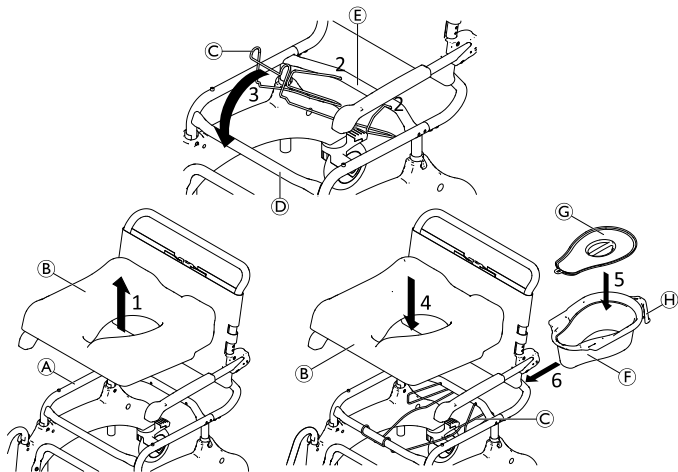


### ATTENZIONE!

#### Pericolo di lesioni

– Il montaggio degli accessori deve essere eseguito seguendo le relative istruzioni.

### 5.1 Inserimento/rimozione del supporto della padella e della padella



**i** La padella (F) può essere inserita/rimossa con o senza il coperchio (G).

1. Rimuovere il sedile (B) dal telaio (A).
2. Posizionare le estremità del supporto della padella (C) nei fori del tubo trasversale posteriore (E).

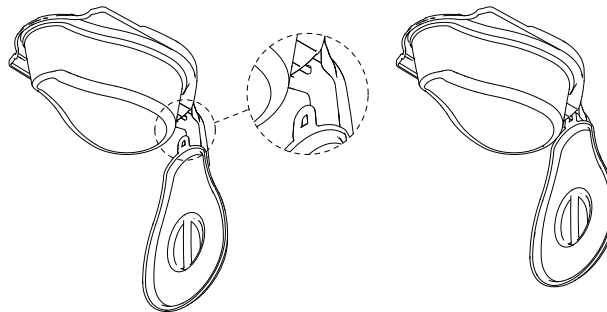
3. Innestare la parte anteriore del supporto della padella nel tubo trasversale anteriore (D).
4. Reinscrivere il sedile nel telaio.
5. Mettere il coperchio sulla padella o toglierlo.
6. Tenere la padella per l'impugnatura (H) e inserirla dal retro tra il supporto della padella e il sedile.



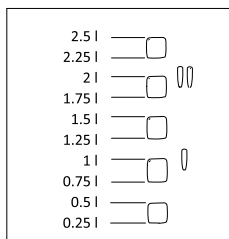
Premere leggermente la padella verso il basso quando la si inserisce o la si rimuove.



Il coperchio può essere appeso al gancio di plastica sul lato inferiore dell'impugnatura della padella.



Sulla parete interna della padella è presente un indicatore del livello di riempimento.



## 6 Uso

### 6.1 Informazioni per la sicurezza



#### ATTENZIONE!

- Utilizzare la carrozzina da doccia e da toilette solo su una superficie piana e al coperto.
- Rispettare le specifiche riportate sull'etichetta modello. Non sovraccaricare la carrozzina da doccia e da toilette.
- Rispettare l'etichetta di sicurezza sull'impugnatura dello schienale, 2.2 *Etichette e simboli sul prodotto, pagina 95*
- Non collocare pesi eccessivi sulla carrozzina da doccia e da toilette.
- Prima di ogni utilizzo, effettuare sempre un controllo visivo per verificare che il prodotto non presenti danni esterni.
- Controllare regolarmente il funzionamento del freno di stazionamento (solo per la versione con ruote ad autospinta).



#### ATTENZIONE!

##### Rischio di scivolamento e ribaltamento

- Prima dell'utilizzo, assicurarsi che il sedile sia fissato saldamente al relativo telaio.
- Bloccare tutte le ruote orientabili con le levette a pedale prima di sedersi o di alzarsi dalla carrozzina da doccia e da toilette, anche nella posizione di stazionamento.
- Al momento del montaggio delle ruote ad autospinta applicare il freno di stazionamento (opzionale).



#### ATTENZIONE!

##### Rischio di ribaltamento

- Ruotare lateralmente i poggiatesta o ripiegare le pedane verso l'alto prima di sedersi o di alzarsi in piedi.
- Prima di sedersi o di alzarsi, ruotare le ruote orientabili anteriori in modo che il dispositivo di bloccaggio sia rivolto in avanti.
- Non salire sui poggiatesta.
- Non sporgersi eccessivamente in avanti.



#### ATTENZIONE!

##### Rischio di ribaltamento

- La carrozzina da doccia e da toilette deve essere spostata esclusivamente utilizzando la barra di spinta o le ruote ad autospinta (opzionali).

**AVVERTENZA!****Rischio di ustioni della pelle**

I componenti del prodotto possono riscaldarsi se esposti a fonti di calore esterne.

- Tenere conto che le superfici che si riscaldano quando si utilizza la carrozzina da doccia e da toilette nella sauna o sotto l'acqua bollente.
- Non esporre il prodotto alla luce diretta del sole prima dell'uso.

**AVVERTENZA!****Rischio di pizzicamento o schiacciamento**

Tra la ruota posteriore e il freno di stazionamento potrebbe essere presente un piccolissimo gioco entro cui esiste il rischio di intrappolamento delle dita.

- Tenere le dita lontano dalle parti mobili quando si utilizza il freno, tenere sempre la mano sulla leva del freno.

**AVVERTENZA!****Rischio di pizzicamento**

- Quando si utilizzano le ruote ad autospinta (opzionali), non inserire le dita tra i raggi o tra le ruote ad autospinta e il telaio del sedile mentre il prodotto è in movimento.

**IMPORTANTE!****Rischio di danni al prodotto**

- Non sollevare la carrozzina da doccia e da toilette tramite i poggiatesta, i braccioli o uno qualsiasi degli accessori.



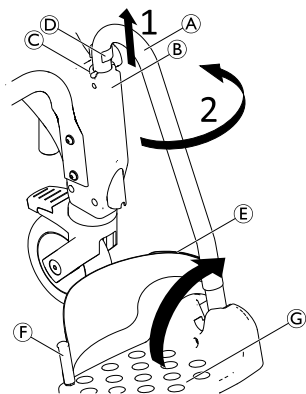
Per gli utilizzatori ad alto rischio di alzarsi in piedi sui poggiatesta (ad esempio persone affette da demenza), sono disponibili come accessori dei dispositivi antiribaltamento anteriori (codice prodotto AP1601986) che impediscono alla carrozzina da doccia e da toilette di ribaltarsi in avanti.

## 6.2 Rotazione dei braccioli

**AVVERTENZA!****Rischio di schiacciamento delle dita nel meccanismo di ripiegamento**

- Non inserire le dita nelle giunture articolate quando si piegano i braccioli verso l'alto o verso il basso.
- Non inserire le dita tra il bracciolo e lo schienale quando si piegano i braccioli.
- Assicurarsi che nessuna parte venga schiacciata nei punti di snodo.

## 6.3 Rotazione dei poggiapiedi



### Posizione di salita/discesa:

1. Tirare leggermente il poggiapiedi (A) nella guida (B) finché il perno del morsetto (D) non si innesta più nella scanalatura (C).
2. Ruotare lateralmente il poggiapiedi.

### Posizione di guida:



#### AVVERTENZA!

**Pericolo di incidenti a causa di un poggiapiedi allentato**

– Fissare i poggiapiedi nella posizione di guida.

1. Ruotare il poggiapiedi (A) verso l'interno.
2. Spingere il poggiapiedi verso il basso fino a quando il perno del morsetto (D) si innesta nella scanalatura (C).



In alternativa, è possibile ruotare la pedana (G) verso l'alto per salire/scendere dalla carrozzina da doccia e da toilette.

### Smontaggio/montaggio del cinturino fermatalloni

1. Aprire il nastro di fissaggio in velcro (E) sul cinturino fermatalloni.
2. Togliere la vite (F) dalla parte inferiore della pedana.
3. Togliere il cinturino fermatalloni dal perno in plastica flessibile.



Per allacciare il cinturino seguire la stessa procedura, ma nell'ordine inverso.



Durante il montaggio, assicurarsi che il nastro di fissaggio in velcro del cinturino fermatalloni sia rivolto all'indietro.

## 6.4 Innesto/disinnesto dei dispositivi di bloccaggio delle ruote orientabili

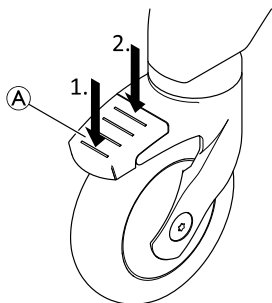


#### AVVERTENZA!

#### Rischio di intrappolamento/schiacciamento

Tutti i dispositivi di bloccaggio delle ruote orientabili si azionano con i piedi.

– Non azionare i dispositivi di bloccaggio delle ruote orientabili con le mani.



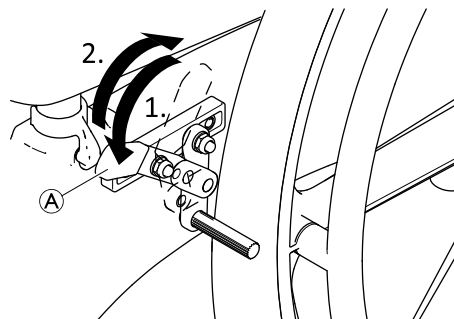
1. Per bloccare i dispositivi di bloccaggio delle ruote orientabili, premere la parte posteriore del pedale A fino a quando si innesta.
2. Per sbloccare i dispositivi di bloccaggio delle ruote orientabili, premere la parte anteriore del pedale A fino a quando si disinnesta.



La ruota orientabile con la leva blu (opzionale) serve a innestare il blocco direzionale per facilitare il movimento in linea retta.

## 6.5 Innesto/disinnesto dei freni di stazionamento

I freni di stazionamento vengono usati per immobilizzare la carrozzina da doccia e da toilette con ruote da 24" al fine di impedirne lo spostamento quando è ferma.



1. Per innestare il freno di stazionamento, spingere il più avanti possibile la leva del freno A.
2. Per disinnestare il freno di stazionamento, tirare la leva del freno all'indietro.

## 7 Trasporto

### 7.1 Informazioni per la sicurezza



Il prodotto può essere smontato per il trasporto in tutte le parti comprese nella fornitura (consultare il capitolo 3 *Componenti, pagina 97*).

1. Smontare il prodotto: consultare il capitolo 4 *Messa in servizio, pagina 99* seguendo la procedura di montaggio nell'ordine inverso.



#### **IMPORTANTE!**

##### **Rischio di danni al prodotto**

- Trasferire il prodotto in un luogo asciutto.
- Non esporre il prodotto alla luce diretta del sole.
- Fare riferimento alle condizioni di conservazione e di trasporto riportate nella sezione 11.3 *Parametri ambientali, pagina 119*



#### **IMPORTANTE!**

- Per numerosi collegamenti vengono usati viti/dadi autobloccanti o adesivo per filettature. Qualora questi elementi risultino allentati, è necessario sostituirli con nuove viti/dadi autobloccanti oppure fissarli con nuovo adesivo per filettature.



## 8 Manutenzione

### 8.1 Manutenzione e controllo

Il prodotto non richiede manutenzione, a condizione che siano rispettate le istruzioni di pulizia e di sicurezza descritte di seguito.

Per garantire prestazioni ottimali e la sicurezza, è necessario eseguire periodicamente i seguenti controlli:

- Controllare regolarmente che il prodotto e gli accessori non siano danneggiati. Non utilizzare il prodotto se difettoso.
- In caso di danni o malfunzionamento, si raccomanda di contattare il fornitore.
- Assicurarsi che il prodotto sia assemblato in modo sicuro e che tutte le viti siano serrate saldamente.



#### **ATTENZIONE!**

##### **Pericolo di lesioni e danni**

Se il prodotto non è regolato in modo corretto, può causare incidenti e lesioni gravi.

- Il prodotto deve essere riparato da un tecnico qualificato.
- Le parti danneggiate devono essere sostituite da un tecnico qualificato.
- Utilizzare esclusivamente pezzi di ricambio originali Invacare.

### 8.2 Pulizia e disinfezione

Il prodotto può essere pulito e disinfettato con prodotti disponibili in commercio.

#### **! IMPORTANTE!**

- Nelle zone più esposte del bagno e del WC, l'igiene è particolarmente importante.
  - Tenere sempre il prodotto pulito e lavarlo regolarmente.
  - Disinfettare il prodotto regolarmente.

1. Disinfettare il prodotto strofinando tutte le superfici generalmente accessibili con un disinfettante (se possibile dopo aver smontato il prodotto).

#### **! IMPORTANTE!**

- Tutti i prodotti detergenti e disinfettanti utilizzati devono essere efficaci, compatibili tra loro e devono proteggere i materiali su cui vengono utilizzati durante la pulizia. Per ulteriori informazioni sulla decontaminazione in ambienti sanitari, si prega di fare riferimento alle linee guida in materia di controllo delle infezioni fornite dall'istituto inglese "National Institute for Clinical Excellence" (disponibili sul sito [www.nice.org.uk/CG139](http://www.nice.org.uk/CG139)) e ai protocolli locali di controllo delle infezioni.
  - Pulire a mano, in lavatrice o in autoclave.
  - Pulire senza detergenti abrasivi.

### Pulizia in un ambiente domestico

1. Rimuovere tutti gli accessori installati (solo gli accessori che non richiedono l'uso di utensili).
2. Togliere i poggiapiedi dalle guide.
3. Rimuovere la piastra del sedile e il rivestimento dello schienale.
4. Pulire le singole parti con un panno o una spazzola e con detersivi e disinfettanti disponibili in commercio.
5. Risciacquare con acqua calda.
6. Asciugare le parti con un panno.
7. Rimontare il prodotto, consultare il capitolo 4 Configurazione.

### Pulizia in un ambiente ospedaliero o assistenziale



Oltre alle istruzioni per la pulizia fornite in precedenza, raccomandiamo di pulire il prodotto prima dell'uso da parte di un altro paziente, al termine del periodo d'uso o regolarmente (a seconda di quale evenienza si verifichi per prima) a

- 90 °C per 1 minuto
- 85 °C per 3 minuti
- 80 °C per 10 minuti

in autoclave.



#### **AVVERTENZA!**

##### **Rischio di ustioni della pelle**

- Dopo la pulizia, lasciare raffreddare il prodotto all'interno della lavatrice o dell'autoclave.

### Pulizia del rivestimento dello schienale (opzionale)

1. Togliere il rivestimento dello schienale.
2. Lavare il rivestimento in lavatrice con detersivo delicato a una temperatura massima di 60 °C.



#### **IMPORTANTE!**

##### **Rischio di danni**

- Un lavaggio a temperature più elevate può provocare danni.
- Non mettere nell'asciugabiancheria.



#### **IMPORTANTE!**

- I lavaggi eccessivi possono danneggiare il tessuto.
- Si raccomanda di sostituire il rivestimento dello schienale ogni due anni per motivi di igiene.

### Pulizia della padella (opzionale)

La padella può essere pulita in autoclave alle temperature/con i tempi seguenti:

- 90 °C per 1 minuto
- 85 °C per 3 minuti
- 80 °C per 10 minuti.

---

## 9 Dopo l'utilizzo

---

### 9.1 Conservazione

**IMPORTANTE!****Rischio di danni al prodotto**

- Conservare il prodotto in un luogo asciutto.
- Non riporre il prodotto vicino a fonti di calore.
- Non esporre il prodotto alla luce diretta del sole.
- Fare riferimento alle condizioni di conservazione e di trasporto riportate nella sezione **11.3 Parametri ambientali**, pagina 119

### 9.2 Riutilizzo

Il prodotto può essere utilizzato più volte. Il numero di volte dipende dalla frequenza e dal modo in cui viene utilizzato il prodotto. Prima del riutilizzo, pulire e disinfettare accuratamente il prodotto (→ **8.2 Pulizia e disinfezione**, pagina 113), verificare che non presenti danni e che sia montato correttamente.

### 9.3 Smaltimento

Rispettare l'ambiente e riciclare separatamente i differenti materiali e componenti del presente prodotto presso un centro di riciclaggio locale al termine del suo utilizzo.

Lo smaltimento e il riciclaggio dei prodotti usati e degli imballaggi devono essere eseguiti nel rispetto delle leggi e delle normative in materia di gestione dei rifiuti vigenti in ciascun paese. Per ulteriori informazioni, contattare la propria azienda di raccolta rifiuti locale.

## 10 Guida alla soluzione dei problemi

### 10.1 Identificazione e riparazione dei guasti

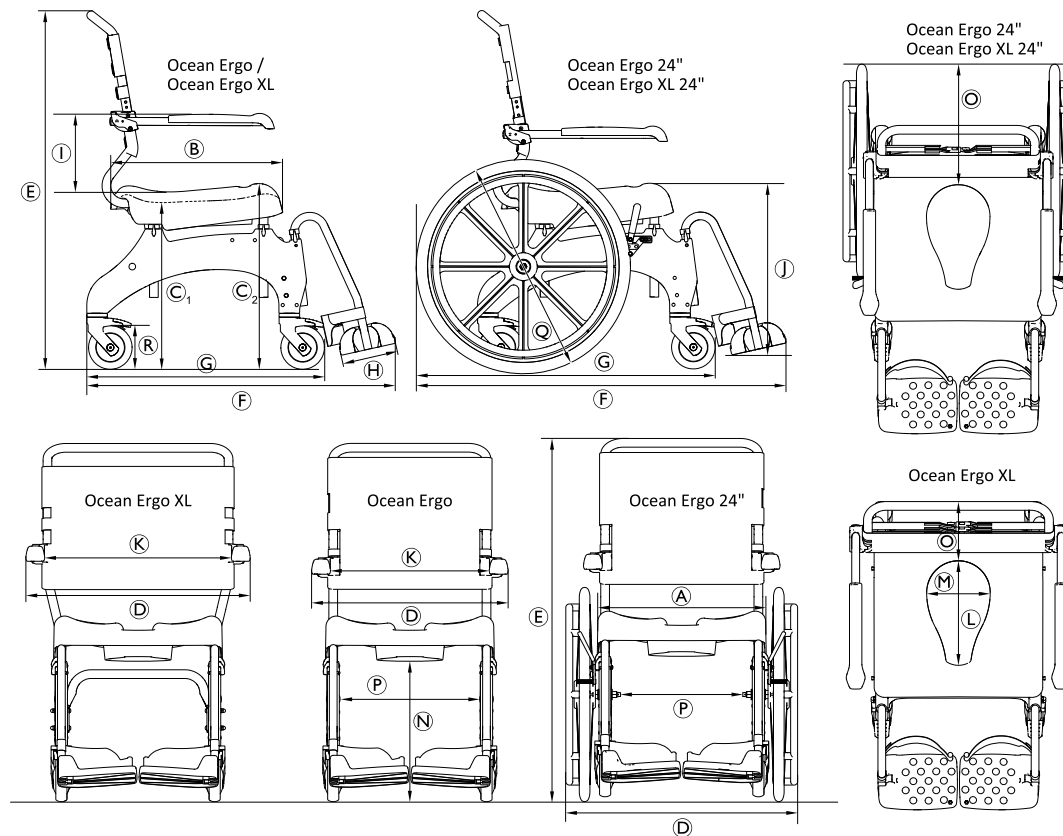


La tabella seguente fornisce informazioni sui malfunzionamenti e sulle possibili cause. Qualora non fosse possibile correggere il malfunzionamento mediante i rimedi indicati, contattare direttamente il proprio rivenditore specializzato.

<b>Guasto</b>	<b>Causa possibile</b>	<b>Soluzione</b>
Difficoltà di regolazione dell'altezza del sedile	Sporcizia tra il telaio del sedile e l'elemento laterale	Smontare il prodotto in tutte le parti comprese nella fornitura e pulirlo completamente
Le ruote orientabili sono difficili o impossibili da girare	Sporcizia tra la forcella e il cerchione	Pulire completamente le ruote
Difficoltà nello spostare lateralmente i poggiatesta	Depositi nelle guide	Pulire accuratamente i poggiatesta e le guide
Il freno di stazionamento delle ruote ad autospinna non si innesta.	Freno di stazionamento regolato in modo errato	Il freno di stazionamento deve essere regolato da un tecnico qualificato.

# 11 Dati Tecnici

## 11.1 Dimensioni e peso



	Ocean Ergo	Ocean Ergo XL	Ocean Ergo con ruote da 24"	Ocean Ergo XL con ruote da 24"
Ⓐ	480 mm			
Ⓑ	480 mm			
Ⓒ <sub>1</sub>	475 mm – 600 mm			
Ⓒ <sub>2</sub>	533 mm – 658 mm			
Ⓓ	565 mm	645 mm	670 mm	
Ⓔ	1020 mm – 1145 mm		1045 mm – 1170 mm	
Ⓕ	905 mm		1050 mm	
Ⓖ	700 mm		850 mm	
Ⓗ	160 mm			
Ⓘ	215 mm / 253 mm / 290 mm	253 mm / 290 mm	215 mm / 253 mm / 290 mm	253 mm / 290 mm
Ⓙ	295 mm – 570 mm			
Ⓚ	455 mm	535 mm	455 mm	535 mm
Ⓛ	350 mm (parte superiore) / 300 mm (parte inferiore)			
Ⓜ	250 mm (parte superiore) / 182 mm (parte inferiore)			
Ⓝ	400 mm – 525 mm			
Ⓞ	200 mm		355 mm	
Ⓟ	405 mm		360 mm	
Ⓠ	—		Æ 24" (610 mm)	
Ⓡ	Æ 5" (127 mm)			

	Ocean Ergo	Ocean Ergo XL	Ocean Ergo con ruote da 24"	Ocean Ergo XL con ruote da 24"
Diametro di sterzata	2100 mm		1940 mm	
Larghezza per inversione	1070 mm		1240 mm	
Peso del prodotto	17 kg	18 kg	23 kg	24 kg
Peso max. utilizzatore	150 kg	180 kg	150 kg	180 kg

## 11.2 Materiali

Telaio	Acciaio inox, verniciato a polvere
Piastra del sedile	Polipropilene
Rivestimento dello schienale	Nylon, rivestito in PVC
Poggiapiedi/Parti laterali	Polipropilene, rinforzato con fibra di vetro
Imbottiture dei braccioli	Polipropilene
Ruote orientabili	Plastica e acciaio inox
Superficie di scorrimento delle ruote da 24"	PUR

Tutti i componenti del prodotto sono resistenti alla corrosione e non contengono lattice di gomma naturale.

## 11.3 Parametri ambientali

<b>Condizioni di funzionamento</b>	
Temperatura ambiente	10 - 65 °C
Umidità relativa	15% - 93% non condensante
Pressione atmosferica	795 - 1060 hPa
<b>Condizioni di conservazione e di trasporto</b>	
Temperatura ambiente	0 - 40 °C
Umidità relativa	30% - 75% non condensante
Pressione atmosferica	795 - 1060 hPa





---

# Contenido

---

Este manual DEBE ser entregado al usuario final. ANTES de usar este producto lea este manual y guárdelo para futuras referencias.

<b>1 Generalidades</b>	<b>.122</b>
1.1 Introducción	.122
1.2 Símbolos en este manual	.122
1.3 Información sobre la garantía	.123
1.4 Cumplimiento	.123
1.4.1 Normas específicas del producto	.123
1.5 Uso previsto	.123
1.6 Vida útil	.124
<b>2 Seguridad</b>	<b>.125</b>
2.1 Información sobre seguridad	.125
2.2 Etiquetas y símbolos en el producto	.125
<b>3 Componentes</b>	<b>.127</b>
3.1 Información general	.127
<b>4 Instalación</b>	<b>.129</b>
4.1 Información sobre seguridad	.129
4.2 Montaje de la silla de ducha e inodoro	.129
4.2.1 Instalación del tubo del chasis del asiento para el ajuste de la altura	.129
4.2.2 Instalación del respaldo	.131
4.2.3 Instalación/retirada de la placa del asiento	.132
4.2.4 Ajuste de la altura de los reposabrazos	.132
4.2.5 Instalación de los reposapiés	.133
4.2.6 Instalación/retirada de las ruedas autopropulsadas (opcionales)	.134
<b>5 Accesorios (opcionales)</b>	<b>.136</b>
5.1 Montaje/desmontaje del soporte de cubeta inodora y cubeta inodora	.136
<b>6 Utilización</b>	<b>.138</b>
6.1 Información sobre seguridad	.138

6.2 Giro de los reposabrazos	.139
6.3 Giro de los reposapiés	.140
6.4 Activación/desactivación del bloqueo de las ruedas	.140
6.5 Acoplamiento/desacoplamiento de los frenos de estacionamiento	.141
<b>7 Transporte</b>	<b>.142</b>
7.1 Información sobre seguridad	.142
<b>8 Mantenimiento</b>	<b>.143</b>
8.1 Mantenimiento y revisión	.143
8.2 Limpieza y desinfección	.143
<b>9 Después del uso</b>	<b>.145</b>
9.1 Almacenamiento	.145
9.2 Reutilización	.145
9.3 Eliminación	.145
<b>10 Solución de problemas</b>	<b>.146</b>
10.1 Identificación y reparación de fallos	.146
<b>11 Datos Técnicos</b>	<b>.147</b>
11.1 Dimensiones y peso	.147
11.2 Materiales	.149
11.3 Parámetros medioambientales	.149

# 1 Generalidades

## 1.1 Introducción

Este manual del usuario contiene información importante sobre el manejo del producto. Para garantizar la seguridad cuando utilice el producto, lea detenidamente el manual del usuario y siga las instrucciones de seguridad.

Tenga en cuenta que puede haber secciones de este manual del usuario que no sean relevantes para su producto, ya que este manual se aplica a todos los modelos disponibles (en la fecha de impresión). Si no se indica lo contrario, cada sección de este manual hace referencia a todos los modelos del producto.

Los modelos y las configuraciones disponibles en su país pueden encontrarse en las listas de precios específicas del país.

Invacare se reserva el derecho de modificar las especificaciones del producto sin previo aviso.

Antes de leer este manual, asegúrese de contar con la versión más reciente. Podrá encontrarla en formato PDF en el sitio web de Invacare.

Si la versión impresa del manual del usuario tiene un tamaño de letra que le resulta difícil de leer, podrá descargarlo en formato PDF en el sitio web. Podrá ampliar el PDF en pantalla a un tamaño de letra que le resulte más cómodo.

Para obtener más información sobre el producto, por ejemplo, avisos de seguridad sobre el producto y retiradas del producto, póngase en contacto con su representante

de Invacare. Consulte las direcciones al final de este documento.

## 1.2 Símbolos en este manual

En este manual, las advertencias están indicadas con símbolos. A los símbolos de las advertencias se les añade un encabezado que indica la gravedad del peligro.



### ADVERTENCIA

Indica una situación peligrosa que, si no se evita, podría tener como consecuencia la muerte o lesiones graves.



### PRECAUCIÓN

Indica una situación peligrosa que, si no se evita, podría tener como consecuencia lesiones menos graves.



### IMPORTANTE

Indica una situación peligrosa que, si no se evita, podría tener como consecuencia daños a la propiedad.



### Consejos y recomendaciones

Proporciona consejos útiles, recomendaciones e información para un uso eficiente y sin problemas.



Este producto cumple con la Directiva 93/42/CEE en lo concerniente a productos sanitarios. La fecha de lanzamiento de este producto figura en la declaración de conformidad CE.



Fabricante del producto.

### 1.3 Información sobre la garantía

Ofrecemos la garantía del fabricante del producto conforme a nuestras Condiciones generales y Condiciones comerciales en los distintos países.

Las reclamaciones relativas a la garantía solo pueden efectuarse a través del distribuidor en el que se adquirió el producto.

### 1.4 Cumplimiento

La calidad es fundamental para el funcionamiento de la empresa, que trabaja conforme a las normativas ISO 13485.

Este producto lleva la marca CE correspondiente, en cumplimiento con la Directiva sobre dispositivos médicos 93/42/CEE Clase 1.

Trabajamos continuamente para garantizar que se reduzca al mínimo el impacto medioambiental de la empresa, tanto a nivel local como global.

Solo utilizamos materiales y componentes que cumplen con las directivas REACH.

#### 1.4.1 Normas específicas del producto

El producto ha sido sometido a pruebas y cumple las normas ISO 17966 (Productos de asistencia para la higiene personal que soportan a los usuarios) y las normas relacionadas. Esto incluye las pruebas relativas a la inflamabilidad. No se produce ignición por combustión progresiva ni ignición de llama.

Para obtener más información sobre las normativas locales, póngase en contacto con el representante local de Invacare. Consulte las direcciones al final de este documento.

### 1.5 Uso previsto

La silla de ducha e inodoro se ha diseñado exclusivamente como ayuda para ducharse, bañarse o ir al baño, para utilizarla durante la higiene personal (por ejemplo, delante del lavabo) o para trasladar a los pacientes en interiores. Su uso está destinado a pacientes jóvenes o adultos (con o sin asistencia de un cuidador) que tengan:

- Dificultades para mantener el equilibrio o permanecer de pie
- Piernas débiles o discapacidad de las extremidades inferiores
- Condiciones médicas que afecten negativamente a su equilibrio

El producto se ha diseñado para utilizarse en instituciones sanitarias y en hogares particulares. Se prohíbe cualquier otro uso.



### **¡ADVERTENCIA!**

#### **Riesgo de lesiones**

- No utilice nunca el producto como ayuda para entrar o salir de la bañera, para subir o bajar cuestas, como soporte o para otros fines similares.
- No utilice el producto en exteriores.

Como silla de inodoro, el producto puede utilizarse sobre un inodoro estándar o de forma independiente con la cubeta inodora (opcional).

En piscinas, la silla de ducha e inodoro solo puede utilizarse como silla de baño si la piscina no contiene agua salada y bajo la vigilancia constante de otra persona.

Temperatura de uso: De 10 a 65 °C

## **1.6 Vida útil**

La vida útil prevista para este producto es de cinco años, siempre y cuando se utilice diariamente y de conformidad con las instrucciones de seguridad, se respeten los intervalos de mantenimiento y se utilice correctamente según lo establecido en este manual. La vida útil real puede variar en función de la frecuencia y la intensidad del uso.

## 2 Seguridad

### 2.1 Información sobre seguridad



#### ¡ADVERTENCIA!

##### Riesgo de lesiones o daños

- No utilice este producto ni cualquier otro equipo opcional disponible sin antes haber leído y comprendido estas instrucciones y cualquier otro material informativo adicional, como manuales del usuario, manuales de servicio u hojas de instrucciones, proporcionados con este producto o equipo opcional.
- Si tiene alguna duda relacionada con las advertencias, precauciones o instrucciones, póngase en contacto con un profesional sanitario, el proveedor de Invacare o un técnico cualificado antes de intentar utilizar este equipo.



#### ¡ADVERTENCIA!

##### Riesgo de lesiones

- No se ponga de pie sobre el producto.
- No lo utilice como ayuda para escalar.
- No lo utilice en exteriores.



#### ¡ADVERTENCIA!

##### Riesgo de lesiones

- No utilice el producto si está defectuoso.
- En caso de producirse un fallo en el funcionamiento, póngase en contacto con su proveedor inmediatamente.
- No realice ningún cambio ni modificación del producto sin autorización.
- Utilice únicamente los accesorios diseñados para este producto.



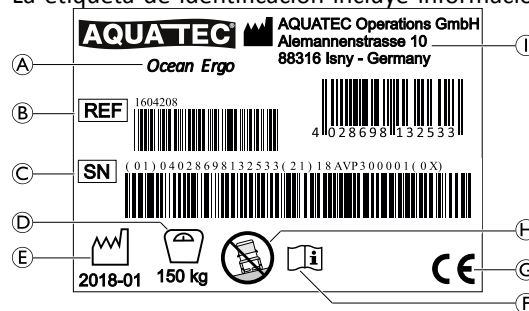
#### ¡IMPORTANTE

La información incluida en este documento está sujeta a cambios sin previo aviso.


## 2.2 Etiquetas y símbolos en el producto

### Etiqueta de identificación


La etiqueta de identificación incluye información importante:



Ⓐ	Nombre del producto
Ⓑ	Referencia de producto
Ⓒ	Número de serie
Ⓓ	Peso del usuario máximo
Ⓔ	Fecha de fabricación
Ⓕ	Lea el manual del usuario
Ⓖ	Marca de conformidad
Ⓗ	Nota (usar solo en superficies planas)
Ⓘ	Dirección del fabricante

 La etiqueta de identificación está fijada en el interior de la parte lateral izquierda.

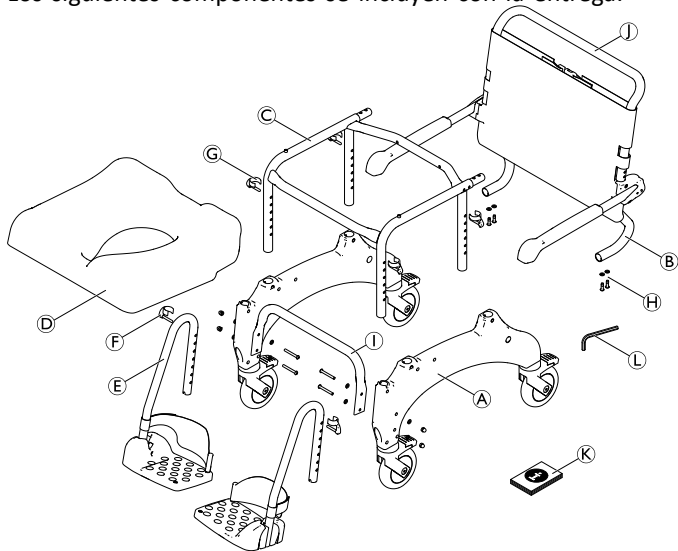
## Etiquetas en el producto

La siguiente etiqueta está fijada en el asa del respaldo:	
Etiqueta	Descripción
	<p><b>¡ADVERTENCIA!</b></p> <p>Riesgo de volcado</p> <ul style="list-style-type: none"> <li>– No se ponga de pie sobre los reposapiés al subir o bajar de la silla de ducha e inodoro.</li> <li>– Empuje los reposapiés hacia los lados o pliegue las paletas de los reposapiés antes de subirse o bajarse de la silla de ducha e inodoro.</li> <li>– Antes de sentarse o de levantarse, gire las ruedas de modo que el bloqueo apunte hacia delante.</li> <li>– No se incline demasiado hacia delante al sentarse en la silla de ducha e inodoro.</li> </ul>

## 3 Componentes

### 3.1 Información general

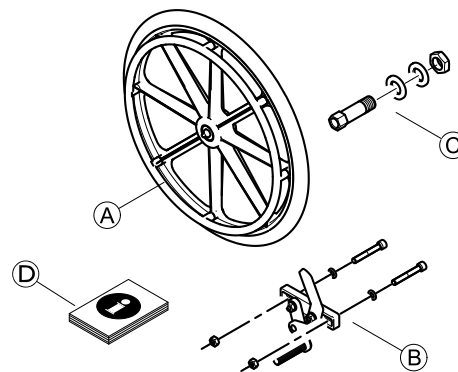
Los siguientes componentes se incluyen con la entrega:



(A)	Parte lateral con ruedas (izquierda y derecha)
(B)	Respaldo con funda y reposabrazos
(C)	Chasis del asiento
(D)	Asiento
(E)	Reposapiés con correa para el talón (izquierdo y derecho)

(F)	Clips (2) para reposapiés (insertados)
(G)	Clips (4) para el chasis del asiento
(H)	Tornillos y arandelas (4)
(I)	Tubo de estabilización de la base con tornillos (4), arandelas (8) y tuercas (4) (solo Ocean XL)
(J)	Barra de empuje
(K)	Manual del usuario
(L)	Llave Allen AF 4

Las siguientes piezas se incluyen con la entrega de las ruedas autopropulsadas con freno de estacionamiento:

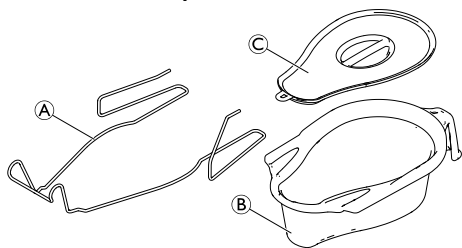


(A)	Ruedas autopropulsadas (2)
(B)	Frenos de estacionamiento (2) con tornillos (4), arandelas (4) y tuercas (4)

C	Cubos inc. ejes y arandelas y tuercas (2)
D	Instrucciones de montaje

**i** Tenga en cuenta el cambio de dimensiones cuando se montan las ruedas autopropulsadas. Para obtener más información, consulte el capítulo Datos técnicos.

### Accesorio — Soporte de cubeta inodora con cubeta inodora



A	Soporte de cubeta inodora
B	Cubeta inodora
C	Tapa



## 4 Instalación

### 4.1 Información sobre seguridad



#### ¡ADVERTENCIA!

- Antes de utilizar la silla, compruebe si los componentes han sufrido algún daño durante el transporte y póngase en contacto con el proveedor si es necesario.
- Durante el montaje, compruebe que las piezas estén correctamente colocadas unas con respecto a las otras.
- Se utilizan tornillos de seguridad, tuercas o adhesivo de bloqueo de roscas para varias conexiones. Si estos se aflojan, deberán sustituirse por nuevos tornillos de seguridad o tuercas, o deberán fijarse con nuevo adhesivo de bloqueo.

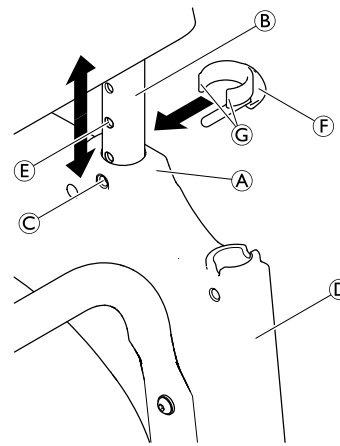
### 4.2 Montaje de la silla de ducha e inodoro

En esta sección se describe el montaje. El desmontaje se lleva a cabo en el orden inverso.



La altura del reposabrazos, la altura del reposapiés, el ángulo del reposapiés, la correa para el talón, la tensión de la funda del respaldo y los accesorios deben ajustarse para que se adapten de forma óptima al usuario.

#### 4.2.1 Instalación del tubo del chasis del asiento para el ajuste de la altura



1. Saque de la bolsa los clips (F) que se incluyen.
2. Coloque el chasis del asiento sobre su lateral.



#### ¡IMPORTANTE

- Presione la pieza lateral de forma uniforme sobre el chasis y no la gire.
- Fije la pieza lateral a la misma altura, delantera y trasera.

3. Presione la pieza lateral (A) con las guías para los reposapiés (D) hacia delante en el chasis del asiento (B).



Asegúrese de que la etiqueta de identificación está fijada en el interior de la parte lateral izquierda.

Asegúrese de que la orientación del chasis del asiento es correcta (consulte el gráfico del capítulo 3.1).

- Haga coincidir los soportes de los clips © de la parte delantera y trasera de la pieza lateral con un orificio del chasis del asiento ⑤.
- Introduzca los clips ⑥ desde fuera en la pieza lateral hasta que los bordes de los clips © rodeen el tubo del chasis del asiento ⑤.

### ! IMPORTANTE

– Compruebe que las piezas laterales izquierda y derecha están situadas a la misma altura.

- Gire el chasis del asiento y repita el procedimiento para la segunda pieza lateral.
- Coloque el chasis del asiento con las piezas laterales montadas sobre sus ruedas.

### Ajuste de la altura del asiento



### ¡ADVERTENCIA!

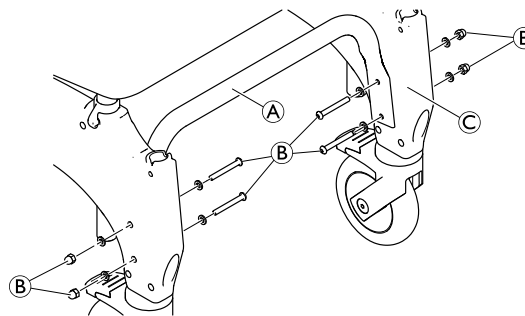
– La altura del asiento debe ajustarse a la misma altura en ambos lados.  
– No ajuste la altura del asiento mientras haya alguien sentado en la silla de ducha e inodoro.

- Levante ligeramente la silla de ducha e inodoro de un lado agarrándola del chasis del asiento ⑤.
- Quite los dos clips ⑥ de este lateral.
- Tire del chasis del asiento para sacarlo de la pieza lateral ① o presiónelo dentro de la pieza lateral para ajustar la altura del asiento.
- Vuelva a insertar totalmente los dos clips.
- Repita los pasos del 1 al 4 en el otro lado.



La altura del asiento se puede ajustar para adaptarse a distintas situaciones de uso, por ejemplo, el traslado desde una cama o una silla de ruedas o el uso sobre un inodoro, etc.

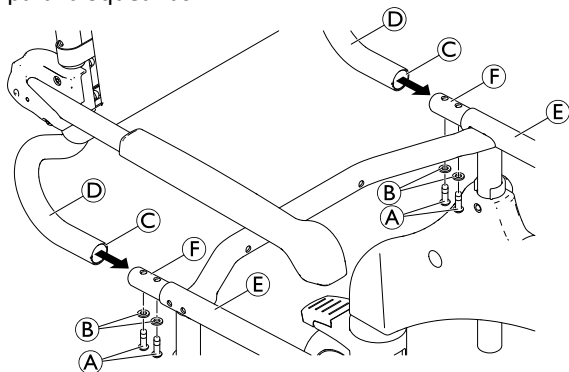
### Instalación del tubo de estabilización de la base (solo Ocean Ergo XL)



- Instale el tubo de estabilización de la base ① utilizando los tornillos y las tuercas ② suministrados entre las piezas laterales ③. Asegúrese de que el tubo de estabilización está orientado hacia arriba.
- Apriete los tornillos con un par de torsión de 5 Nm.

## 4.2.2 Instalación del respaldo

1. Empuje hacia abajo los cuatro pedales de las ruedas para bloquearlas.



2. Empuje el respaldo ④ desde el lateral trasero en el chasis del asiento ⑤, hasta que la parte del cuello ③ toque el tubo del chasis del asiento ⑥.



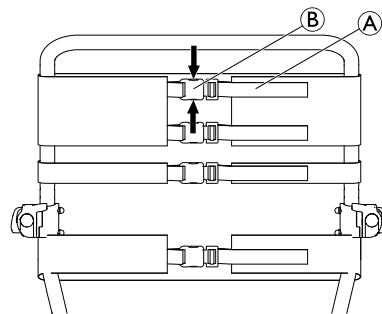
### ¡ IMPORTANTE

- Apriete fuerte los tornillos con la llave Allen suministrada.
- Compruebe periódicamente los tornillos para asegurarse de que están bien ajustados.

3. Coloque una arandela ② en cada tornillo ① y fije ambos lados del respaldo.
4. Apriete los tornillos con un par de torsión de 5 Nm.

### Ajuste de la funda del respaldo

La tensión del respaldo se puede ajustar según sea necesario.



### ¡ADVERTENCIA!

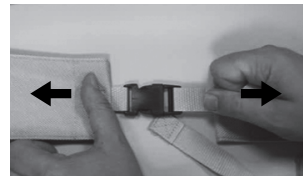
- Asegúrese de que se pasan al menos tres cinturones alrededor del chasis del respaldo (en la parte exterior) y de que las hebillas de los cinturones están sujetas.

Para tensar:

1. Apriete los cinturones ① de la funda del respaldo.

Para aflojar:

1. Abra las hebillas ② presionando los salientes de sujeción (flechas).
2. Afloje un poco los cinturones a través de la hebilla.
3. Apriete las hebillas de los cinturones.
4. Vuelva a apretar suavemente los cinturones.





### ¡ADVERTENCIA!

#### Riesgo de lesiones causadas por hebillas del respaldo en mal estado.

Compruebe que las hebillas del respaldo estén bien sujetas, siempre que proceda al mantenimiento o reacondicionamiento del producto.

- Compruebe que todos los clips de las hebillas estén bien sujetos cerrando las hebillas y tirando de ambos extremos.
- Sustituya el respaldo o las hebillas del respaldo si se abre una hebilla debido a la fuerza aplicada.

### 4.2.3 Instalación/retirada de la placa del asiento

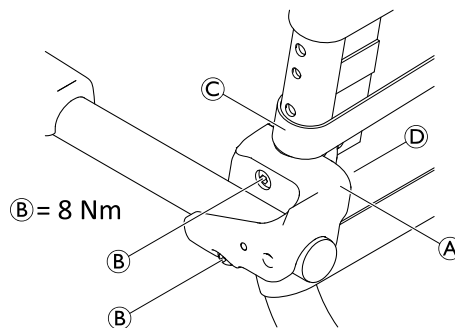
#### Instalación:

1. Coloque la placa del asiento sobre el chasis del asiento con la entalladura hacia delante.
2. Con la palma de la mano, presione la placa del asiento en los laterales y después por delante y por detrás hasta que esta encaje en el chasis del asiento.

#### Retirada:

1. Tire de la placa del asiento hacia arriba en la parte trasera.

### 4.2.4 Ajuste de la altura de los reposabrazos



1. En la funda del respaldo, abra la tercera hebilla del cinturón y afloje los otros cinturones.



Las tuercas están flojas dentro de la abrazadera de sujeción y pueden caerse.


2. Desatornille los tornillos **B** del soporte de reposabrazos **A** utilizando la llave Allen suministrada.
3. Quite la abrazadera de sujeción **D** con las tuercas desde el interior del chasis del respaldo.
4. Quite el soporte del respaldo **A** con el reposabrazos y muévelo hacia arriba.



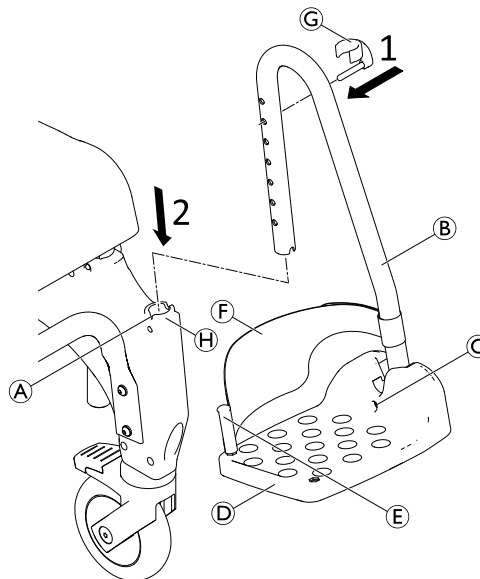
El orificio más pequeño sirve para fijar la abrazadera de sujeción.

5. Inserte los tornillos en el soporte de reposabrazos y páselos por los orificios del chasis del respaldo.
6. Si es preciso, vuelva a colocar las tuercas en la abrazadera de sujeción.


7. Coloque la abrazadera de sujeción del chasis del respaldo insertando el pasador de fijación en el orificio más pequeño.
8. Gire los tornillos en las tuercas y apriete.
9. Mueva la funda del respaldo de modo que el tercer cinturón pase por encima o por debajo del reposabrazos.
10. Pase el tercer cinturón de la funda del respaldo sobre la parte exterior del chasis del respaldo, cierre y apriete todos los cinturones.
11. El procedimiento de ajuste de la altura es igual para el reposabrazos derecho e izquierdo.

 Para fijar accesorios, se puede abrir el tercer cinturón desde arriba y la funda del respaldo se puede pasar por el interior del chasis del respaldo.


#### 4.2.5 Instalación de los reposapiés



1. Inserte el pasador del clip © desde el exterior en el orificio necesario del reposapiés ©. Asegúrese de que el clip se encaja alrededor del tubo.
2. Presione el reposapiés en la guía © en la parte delantera del lateral hasta que el pasador del clip © encaje en la ranura ©. El reposapiés ya no podrá girarse hacia el lateral.


 El procedimiento de montaje es igual para el reposapiés derecho e izquierdo.

#### Ajuste de la altura de los reposapiés

 Los reposapiés se pueden acortar si es necesario (consulte el manual de servicio). El acortamiento de los reposapiés deberá realizarlo un técnico cualificado.

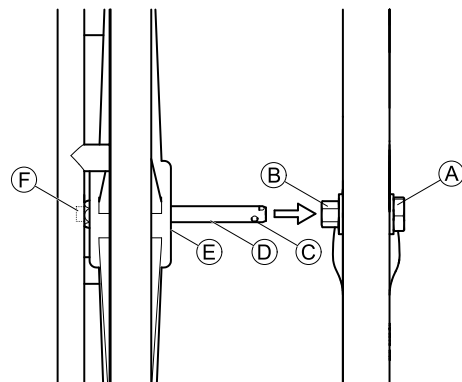
1. Tire ligeramente hacia arriba del reposapiés **B**.
2. Tire del clip **C** para sacarlo del orificio en el reposapiés y vuelva a insertarlo en el orificio necesario. Tire del reposapiés un poco más hacia fuera si es necesario.
3. Presione el reposapiés hacia abajo hasta que la ranura **A** encaje en el pasador del clip.
4. Ajuste el otro reposapiés a la altura necesaria según se ha descrito.

#### Ajuste de la inclinación de las paletas de los reposapiés

 La inclinación de las paletas de los reposapiés se puede ajustar de muchas formas.

1. Afloje el tornillo Allen **C** de la paleta del reposapiés con una llave Allen tamaño 4.
2. Gire la paleta del reposapiés **D** hasta la posición necesaria.
3. Vuelva a apretar el tornillo Allen.

#### 4.2.6 Instalación/retirada de las ruedas autopropulsadas (opcionales)



#### IMPORTANTE

- Cuando se montan las ruedas autopropulsadas, las ruedas traseras deben permanecer bloqueadas.
- La instalación de los cubos y los frenos de estacionamiento de las ruedas autopropulsadas debe realizarla un técnico cualificado. El montaje se describe en las instrucciones de montaje "Montaje de cubos y frenos para ruedas Aquatec® Ocean de 24 pulgadas".

1. Alinee las cuatro ruedas en la dirección de la marcha.
2. Bloquee todas las ruedas.
3. Presione el eje **D** de la rueda autopropulsada hacia dentro. (Los aros de propulsión sobresalen hacia afuera).

4. Mantenga presionado el botón ⑥ situado en el exterior del eje. De este modo, se liberarán las bolas de sujeción ③ del extremo del eje.
5. Levante ligeramente la silla de ducha e inodoro.
6. Introduzca el eje en el cubo ② y presione la rueda autopropulsada sobre el eje hasta que llegue al tope ⑤.
7. Suelte el botón ⑥.
8. Compruebe que las bolas de sujeción están detrás de la tuerca hexagonal ④.
9. El montaje se realiza del mismo modo para las dos ruedas autopropulsadas derecha e izquierda.

Para desmontar las ruedas, siga el mismo procedimiento en el orden inverso.

## 5 Accesorios (opcionales)

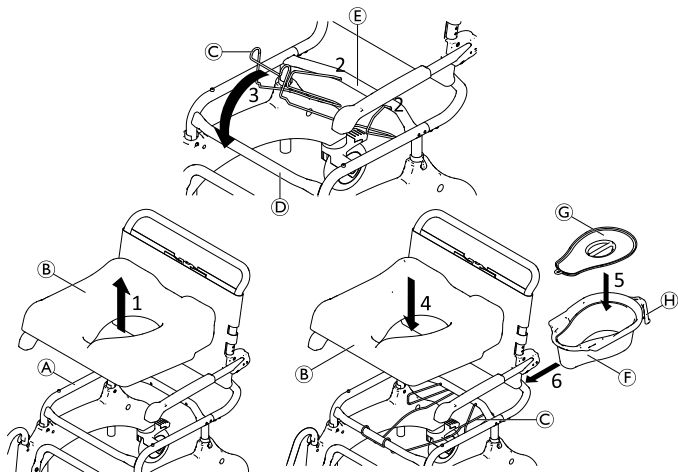



### ¡ADVERTENCIA!

#### Riesgo de lesiones


– El montaje de los accesorios (opcional) debe llevarse a cabo según las instrucciones correspondientes.


### 5.1 Montaje/desmontaje del soporte de cubeta inodora y cubeta inodora

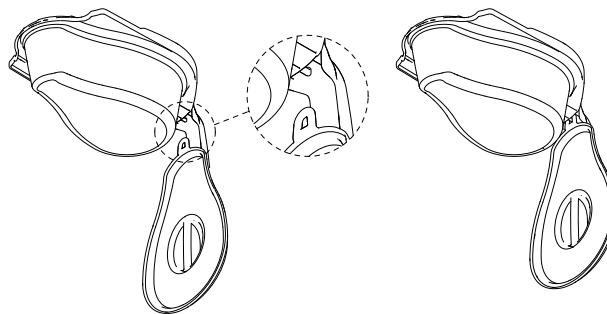



 La cubeta inodora **F** se puede insertar/extraer con o sin la tapa **G**.

1. Retire el asiento **B** del chasis **A**.
2. Coloque los extremos del soporte de cubeta inodora **C** en los orificios del tubo cruzado trasero **E**.
3. Fije la parte delantera del soporte de cubeta inodora con el tubo cruzado delantero **D**.
4. Vuelva a colocar el asiento en el chasis.
5. Coloque la tapa o retírela de cubeta inodora.
6. Sostenga la cubeta inodora por el asa **H** e insértela desde el lateral trasero entre el soporte de cubeta inodora y el asiento.

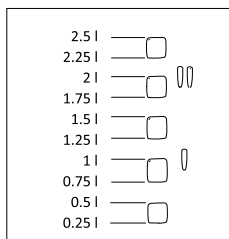
 Empuje ligeramente hacia abajo la cubeta inodora al insertarla o retirarla.

 La tapa se puede colgar del gancho de plástico en la parte inferior del asa de la cubeta inodora.



 Hay un indicador de nivel de llenado en la pared interior de la cubeta inodora.





## 6 Utilización

### 6.1 Información sobre seguridad



#### ¡ADVERTENCIA!

- Utilice la silla de ducha e inodoro únicamente sobre una superficie plana y en interiores.
- Tenga en cuenta las especificaciones de la etiqueta de identificación. No sobrecargue la silla de ducha e inodoro.
- Tenga en cuenta la etiqueta de seguridad en el asa del respaldo, *2.2 Etiquetas y símbolos en el producto, página 125*
- No coloque un peso excesivo sobre la silla de ducha e inodoro.
- Antes de utilizar el producto, realice siempre una inspección visual del mismo para detectar posibles daños externos.
- Compruebe con regularidad el funcionamiento del freno de estacionamiento (solo la opción de ruedas autopropulsadas).



#### ¡ADVERTENCIA!

##### Riesgo de deslizamiento y volcado

- Antes de usar la silla, compruebe que el asiento está bien fijado a su chasis.
- Bloquee todas las ruedas con las lengüetas azules de pie antes de sentarse en la silla de ducha e inodoro o de levantarse de ella, y también en la posición de estacionamiento.
- Aplique el freno de estacionamiento cuando estén montadas las ruedas autopropulsadas (opcionales).



#### ¡ADVERTENCIA!

##### Riesgo de volcado

- Gire los reposapiés hacia el lateral o pliegue hacia arriba las paletas de los reposapiés antes de sentarse o de levantarse.
- Antes de sentarse o de levantarse, gire las ruedas delanteras de tal forma que el bloqueo quede orientado hacia delante.
- Nunca se ponga de pie sobre los reposapiés.
- No se incline demasiado hacia delante.



#### ¡ADVERTENCIA!

##### Riesgo de volcado

- La silla de ducha e inodoro solo se debe desplazar por medio de la barra de empuje o de las ruedas autopropulsadas (opcionales).

**¡PRECAUCIÓN!****Riesgo de quemaduras en la piel**

Los componentes del producto pueden calentarse si se exponen a fuentes de calor externas.

- Tenga en cuenta las superficies calentadas al utilizar la silla de ducha e inodoro en la sauna o si se expone a agua caliente.
- No exponga el producto a la luz solar directa antes de utilizarlo.

**¡PRECAUCIÓN!****Riesgo de atrapamiento o aplastamiento**

Puede haber un hueco muy pequeño entre la rueda trasera y el freno de estacionamiento, lo que supone un riesgo de atraparse los dedos.

- Aparte los dedos de las piezas móviles cuando use el freno, mantenga siempre la mano sobre la palanca del freno.

**¡PRECAUCIÓN!****Riesgo de atrapamiento**

- Cuando utilice las ruedas autopropulsadas (opcionales), no meta los dedos entre los radios o entre las ruedas y el chasis del asiento con la silla en movimiento.

**¡IMPORTANTE!****Riesgo de dañar el producto**

- No levante la silla de ducha e inodoro por los reposapiés, los reposabrazos o cualquier accesorio.

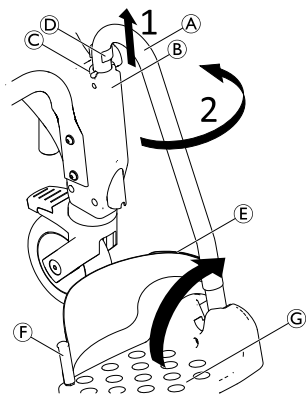


En el caso de usuarios con alto riesgo de ponerse de pie sobre los reposapiés (por ejemplo, con demencia), se encuentran disponibles dispositivos antivuelco frontales (referencia AP1601986) como accesorios para evitar que la silla de ducha e inodoro se vuelque hacia delante.

**6.2 Giro de los reposabrazos****¡PRECAUCIÓN!****Riesgo de pillarse los dedos en el mecanismo de plegado**

- No meta los dedos en la junta articulada al plegar los reposabrazos hacia arriba o hacia abajo.
- No meta los dedos entre el reposabrazos y el respaldo al plegar los reposabrazos.
- Compruebe que ningún componente queda pillado en las uniones.

### 6.3 Giro de los reposapiés



#### Posición de subida/posición de bajada:

1. Tire ligeramente hacia arriba del reposapiés (A) por la guía (B) hasta que el pasador del clip (D) ya no encaje en la ranura (C).
2. Gire el reposapiés hacia el lateral.

#### Posición de marcha:



#### ¡PRECAUCIÓN!

**Riesgo de accidente debido a reposapiés sueltos**  
– Fije los reposapiés en la posición de marcha.

1. Gire el reposapiés (A) hacia adentro.
2. Presione el reposapiés hacia abajo hasta que el pasador del clip (D) encaje en la ranura (C).



Como alternativa, las paletas del reposapiés (G) pueden girarse hacia arriba para subirse/bajarse a la silla de ducha e inodoro.

#### Desmontaje/montaje de la correa para el talón

1. Abra la tira de velcro (E) de la correa para el talón.
2. Quite el tornillo (F) de la parte inferior de la paleta del reposapiés.
3. Retire la correa para el talón del pasador de plástico flexible.



Para montar la correa, siga el mismo procedimiento en el orden inverso.



Al instalarla, compruebe que la tira de velcro de la correa para el talón queda orientada hacia atrás.

### 6.4 Activación/desactivación del bloqueo de las ruedas

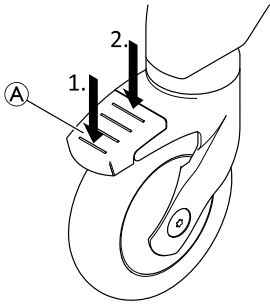


#### ¡PRECAUCIÓN!

**Riesgo de atrapamiento o aplastamiento de los dedos**

Todos las lengüetas de bloqueo de las ruedas se accionan con los pies.

– No accione las lengüetas de bloqueo de las ruedas con las manos.



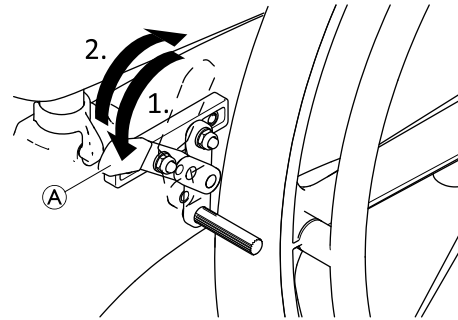
1. Para bloquear las ruedas, pise el extremo trasero de las lengüetas de bloqueo **A** hasta que encaje.
2. Para desbloquear los bloqueos de las ruedas, pise el extremo delantero de las lengüetas de bloqueo hasta que se desencaje.



La rueda con lengüeta azul (opcional) se utiliza para activar el bloqueo de dirección y facilitar el movimiento recto.

## 6.5 Acoplamiento/desacoplamiento de los frenos de estacionamiento

Los frenos de estacionamiento se utilizan para inmovilizar la silla de ducha e inodoro con ruedas de 24" y evitar que ruede cuando se ha detenido.



1. Para accionar el freno de estacionamiento, empuje la palanca del freno **A** hacia delante tanto como sea posible.
2. Para quitar el freno de estacionamiento, tire de la palanca del freno hacia atrás.

## 7 Transporte

### 7.1 Información sobre seguridad



El producto puede desmontarse para su transporte en las piezas que se suministran en la entrega; consulte el capítulo 3 *Componentes, página 127*.

1. Desmonte el producto: Consulte el capítulo 4 *Instalación, página 129* siguiendo los pasos de montaje en orden inverso.



#### **IMPORTANTE**

##### **Riesgo de dañar el producto**

- Transporte el producto en una zona seca.
- No exponga el producto a la luz solar directa.
- Consulte las condiciones de envío y almacenamiento en el capítulo 11.3 *Parámetros medioambientales, página 149*



#### **IMPORTANTE**

- Se utilizan tornillos de seguridad, tuercas o adhesivo de bloqueo de roscas para varias conexiones. Si estos se aflojan, deberán sustituirse por nuevos tornillos de seguridad o tuercas, o deberán fijarse con nuevo adhesivo de bloqueo.

## 8 Mantenimiento

### 8.1 Mantenimiento y revisión

Si se respetan las instrucciones de limpieza y de seguridad indicadas a continuación, el producto no precisa ningún mantenimiento.

Para garantizar un óptimo funcionamiento y la máxima seguridad, deben realizarse periódicamente las siguientes comprobaciones:

- Compruebe con regularidad que el producto y los accesorios no estén dañados. No utilice el producto si está defectuoso.
- En caso de daño o de funcionamiento incorrecto, se recomienda ponerse en contacto con el proveedor.
- Asegúrese de que el producto está montado de forma segura y de que todos los tornillos están apretados correctamente.



#### **¡ADVERTENCIA!**

#### **Riesgo de lesiones y daños**

Si el producto no está ajustado correctamente, puede provocar accidentes y lesiones graves.

- El producto deberá repararlo un técnico cualificado.
- Las partes dañadas deberá sustituirlas un técnico cualificado.
- Utilice solo recambios originales de Invacare.

### 8.2 Limpieza y desinfección

El producto puede limpiarse y desinfectarse con productos disponibles en el mercado.



#### **IMPORTANTE**

Como el cuarto de baño y el inodoro son espacios delicados, la higiene resulta especialmente importante.

- Limpie el producto con regularidad para mantenerlo siempre limpio.
- Desinfecte el producto con regularidad.

1. Desinfecte el producto limpiando todas las superficies accesibles con desinfectante (después de desmontarlo, si es posible).



#### **IMPORTANTE**

Todos los productos de limpieza y desinfectantes empleados deben ser eficaces, compatibles entre sí y deben proteger los materiales que se van a limpiar. Para obtener más información sobre descontaminación en entornos sanitarios, consulte las directrices de "The National Institute for Clinical Excellence" sobre control de infecciones [www.nice.org.uk/CG139](http://www.nice.org.uk/CG139), así como su política local de control de infecciones.

- Limpie el producto a mano o en una lavadora o autoclave.
- No se debe limpiar con productos abrasivos.

## Limpieza en un entorno doméstico

1. Retire cualquier accesorio instalado (solo accesorios que no requieran herramientas).
2. Saque los reposapiés de las guías.
3. Quite la placa del asiento y la funda del respaldo.
4. Limpie las piezas individuales con un paño o cepillo y con productos de limpieza o desinfección disponibles en el mercado.
5. Enjuague las piezas con agua templada.
6. Seque las piezas con un paño.
7. Vuelva a montar el producto, consulte el capítulo 4: Instalación.

## Limpieza en un entorno clínico



Además del procedimiento de limpieza descrito anteriormente, recomendamos limpiar el producto antes de su uso por parte de otro paciente, tras finalizar el periodo de uso o con frecuencia (según lo que ocurra primero)

- A 90 °C durante 1 minuto
- A 85 °C durante 3 minutos
- A 80 °C durante 10 minutos

en el autoclave.



### ¡PRECAUCIÓN!

#### Riesgo de quemaduras en la piel

- Deje que el producto se enfríe tras su limpieza en la lavadora o en el autoclave.

## Limpieza de la funda del respaldo (opcional)

1. Quite la funda del respaldo.
2. Lave la funda en lavadora a una temperatura máxima de 60 °C con un detergente suave.



### ¡IMPORTANTE

#### Riesgo de daños

- El lavado a temperaturas más altas puede provocar daños.
- No secar en la secadora.



### ¡IMPORTANTE

Una limpieza excesiva puede dañar el tejido.

- Se recomienda sustituir la funda del respaldo cada dos años por motivos de higiene.

## Limpieza de la estructura de inodoro (opcional)

La estructura de inodoro puede limpiarse en el autoclave a las temperaturas y durante los periodos de tiempo que se indican a continuación:

- A 90 °C durante 1 minuto
- A 85 °C durante 3 minutos
- A 80 °C durante 10 minutos.



---

## 9 Después del uso

---

### 9.1 Almacenamiento

- !** **IMPORTANTE**  
**Riesgo de dañar el producto**
- Guarde el producto en una zona seca.
  - No guarde el producto cerca de fuentes de calor.
  - No exponga el producto a la luz solar directa.
  - Consulte las condiciones de envío y almacenamiento en el capítulo *11.3 Parámetros medioambientales, página 149*

### 9.2 Reutilización

El producto se puede reutilizar. El número de veces que se puede reutilizar depende de la frecuencia y del modo en que se haya utilizado el producto. Antes de reutilizarlo, limpie y desinfecte a fondo el producto. (→ *8.2 Limpieza y desinfección, página 143*) y compruebe si existen daños y si está montado correctamente.

### 9.3 Eliminación

Proteja el medio ambiente y recicle por separado los distintos materiales y componentes de este producto al final de su vida útil en una planta de reciclaje.

La eliminación o el reciclaje de los productos utilizados y del embalaje debe hacerse conforme a las normativas legales sobre el tratamiento de residuos vigentes en cada país. Póngase en contacto con la empresa de gestión de residuos local para obtener información.

## 10 Solución de problemas

### 10.1 Identificación y reparación de fallos

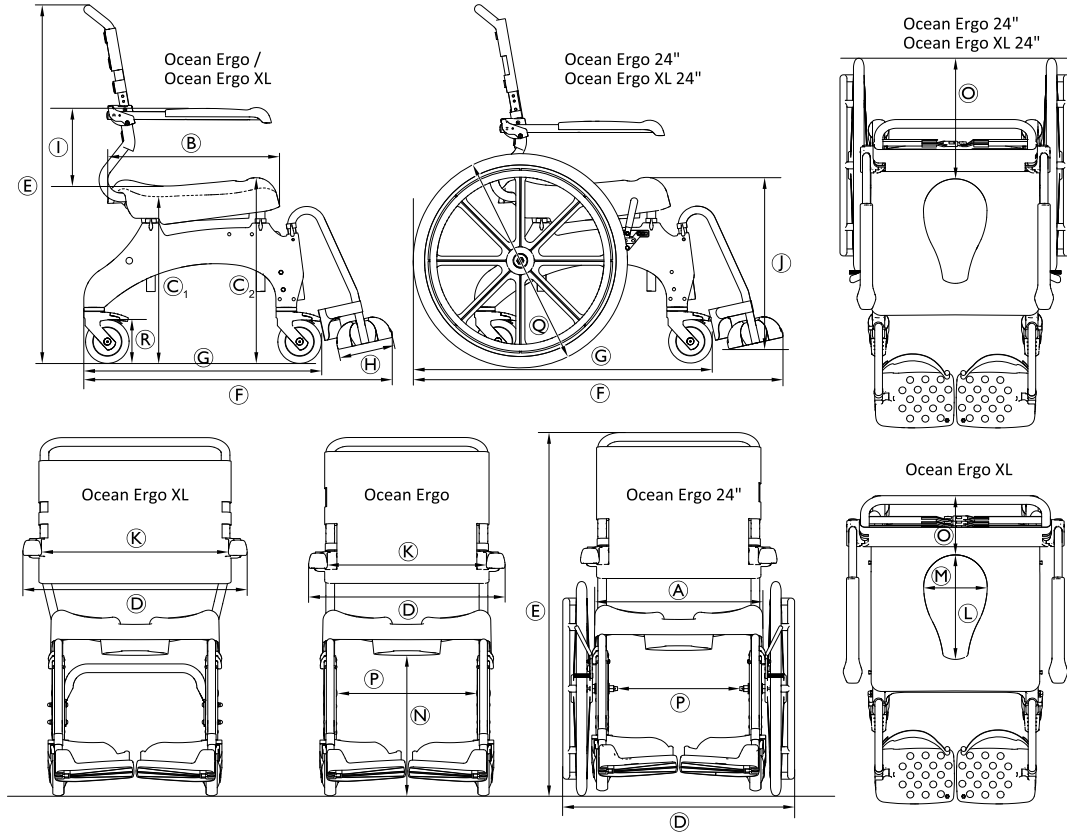


En la siguiente tabla se incluye información sobre fallos de funcionamiento y sus posibles causas. Si no puede corregir el fallo de funcionamiento con las soluciones indicadas, póngase en contacto directamente con su distribuidor especialista.

Fallo	Posible causa	Solución
Dificultad a la hora de ajustar la altura del asiento	Suciedad entre el chasis del asiento y la sección lateral	Desmante el producto en las piezas que se envían originalmente y límpielas bien.
Las ruedas giran con dificultad o no giran	Hay suciedad acumulada entre la horquilla y la llanta	Limpie a fondo las ruedas.
Dificultad a la hora de empujar los reposapiés hacia el lateral	Depósitos en las guías	Limpie a fondo los reposapiés y las guías.
El freno de estacionamiento de las ruedas autopropulsadas (opcionales) no embraga	Freno de estacionamiento mal ajustado	El freno de estacionamiento deberá ajustarlo un técnico cualificado.

# 11 Datos Técnicos

## 11.1 Dimensiones y peso



	Ocean Ergo	Ocean Ergo XL	Ocean Ergo, ruedas de 24"	Ocean Ergo XL, ruedas de 24"
Ⓐ	480 mm			
Ⓑ	480 mm			
Ⓒ <sub>1</sub>	475 mm – 600 mm			
Ⓒ <sub>2</sub>	533 mm – 658 mm			
Ⓓ	565 mm	645 mm	670 mm	
Ⓔ	1020 mm – 1145 mm		1045 mm – 1170 mm	
Ⓕ	905 mm		1050 mm	
Ⓖ	700 mm		850 mm	
Ⓗ	160 mm			
Ⓘ	215 mm / 253 mm / 290 mm	253 mm / 290 mm	215 mm / 253 mm / 290 mm	253 mm / 290 mm
Ⓙ	295 mm – 570 mm			
Ⓚ	455 mm	535 mm	455 mm	535 mm
Ⓛ	350 mm (parte superior) / 300 mm (parte inferior)			
Ⓜ	250 mm (parte superior) / 182 mm (parte inferior)			
Ⓝ	400 mm – 525 mm			
Ⓞ	200 mm		355 mm	
Ⓟ	405 mm		360 mm	
Ⓠ	—		Æ 24" (610 mm)	
Ⓡ	Æ 5" (127 mm)			

	Ocean Ergo	Ocean Ergo XL	Ocean Ergo, ruedas de 24"	Ocean Ergo XL, ruedas de 24"
Diámetro de giro	2100 mm		1940 mm	
Anchura de marcha atrás	1070 mm		1240 mm	
Peso del producto	17 kg	18 kg	23 kg	24 kg
Peso máximo del usuario	150 kg	180 kg	150 kg	180 kg

## 11.2 Materiales

Chasis	Acero inoxidable con recubrimiento en polvo
Placa del asiento	Polipropileno
Funda del respaldo	Nailon, revestimiento de PVC
Reposapiés/piezas laterales	Polipropileno, reforzado con fibra de vidrio
Almohadillas de los reposabrazos	Polipropileno
Ruedas	Plásticos y acero inoxidable
Superficie de rodadura de ruedas de 24"	PUR

Todos los componentes del producto son resistentes a la corrosión y no contienen látex de caucho natural.

## 11.3 Parámetros medioambientales

Condiciones de funcionamiento	
Temperatura ambiente	De 10 a 65 °C
Humedad relativa	Del 15 % al 93 % sin condensación
Presión atmosférica	De 795 a 1060 hPa
Condiciones de envío y almacenamiento	
Temperatura ambiente	De 0 a 40 °C
Humedad relativa	Del 30 % al 75 % sin condensación
Presión atmosférica	De 795 a 1060 hPa



# Índice

Este manual TEM de ser fornecido ao utilizador do produto. ANTES de utilizar este produto, este manual DEVE ser lido e guardado para referência futura.

<b>1 Geral</b>	<b>152</b>
1.1 Introdução	152
1.2 Símbolos utilizados neste manual	152
1.3 Informações da garantia	153
1.4 Conformidade	153
1.4.1 Normas específicas do produto	153
1.5 Utilização prevista	153
1.6 Vida útil	154
<b>2 Segurança</b>	<b>155</b>
2.1 Informações de segurança	155
2.2 Rótulos e símbolos no produto	155
<b>3 Componentes</b>	<b>157</b>
3.1 Descrição geral	157
<b>4 Configuração</b>	<b>159</b>
4.1 Informações de segurança	159
4.2 Montar a cadeira sanitária de chuveiro e sanita	159
4.2.1 Instalar o tubo da estrutura de assento para ajuste da altura	159
4.2.2 Instalar o encosto	161
4.2.3 Instalar/Remover a placa de assento	162
4.2.4 Ajustar a altura dos apoios de braços	162
4.2.5 Instalar os apoios de pés	163
4.2.6 Instalar/Remover as rodas autopropulsoras (opcional)	164
<b>5 Acessórios (opcionais)</b>	<b>165</b>
5.1 Encaixar/Retirar o suporte da sanita e a sanita	165
<b>6 Utilização</b>	<b>167</b>
6.1 Informações de segurança	167

6.2 Rodar os apoios de braços	168
6.3 Rodar os apoios de pés	169
6.4 Engatar/Desengatar os bloqueios dos rodízios	169
6.5 Engatar/Desengatar os travões de estacionamento	170
<b>7 Transporte</b>	<b>171</b>
7.1 Informações de segurança	171
<b>8 Manutenção</b>	<b>172</b>
8.1 Manutenção e inspeção	172
8.2 Limpeza e desinfecção	172
<b>9 Após a utilização</b>	<b>174</b>
9.1 Armazenamento	174
9.2 Reutilização	174
9.3 Eliminação	174
<b>10 Resolução de problemas</b>	<b>175</b>
10.1 Identificar e reparar falhas	175
<b>11 Características Técnicas</b>	<b>176</b>
11.1 Dimensões e peso	176
11.2 Materiais	178
11.3 Parâmetros ambientais	178

## 1 Geral

### 1.1 Introdução

Este manual de utilização contém informações importantes sobre o manuseamento do produto. Para garantir a segurança durante a utilização do produto, leia atentamente o manual de utilização e siga as instruções de segurança.

Tenha em atenção que este manual de utilização pode conter secções não aplicáveis ao seu produto, uma vez que se refere a todos os modelos disponíveis (à data da impressão). Salvo menção em contrário, cada secção deste manual refere-se a todos os modelos do produto.

Os modelos e configurações disponíveis no seu país podem ser encontrados em catálogos de preços específicos do país.

A Invacare reserva-se o direito de alterar as especificações do produto sem aviso prévio.

Antes de ler este manual, certifique-se de que tem a versão mais recente. A versão mais recente está disponível no site da Invacare, em formato PDF.

Se o tamanho do tipo de letra na versão impressa do manual de utilização for difícil de ler, pode transferir uma versão em PDF do manual a partir do site. A imagem do PDF pode ser ajustada no ecrã para um tamanho de tipo de letra que lhe seja mais cómodo.

Para obter mais informações sobre o produto, por exemplo, avisos de segurança de produtos e retiradas de produtos do mercado, contacte o seu representante da Invacare. Consulte os endereços no final deste documento.

### 1.2 Símbolos utilizados neste manual

Neste manual as advertências são indicadas por símbolos. Os símbolos de advertência são acompanhados por um cabeçalho que indica a gravidade do perigo.



#### ADVERTÊNCIA

Indica uma situação perigosa que, se não for evitada, poderá resultar em morte ou em lesões graves.



#### ATENÇÃO

Indica uma situação perigosa que, se não for evitada, poderá resultar em lesões menores ou ligeiras.



#### IMPORTANTE

Indica uma situação perigosa que, se não for evitada, poderá resultar em danos à propriedade.



#### Sugestões e recomendações

Fornece sugestões, recomendações e informações úteis para uma utilização eficiente, sem problemas.



Este produto está em conformidade com a Directiva 93/42/CEE sobre dispositivos médicos. A data de lançamento deste produto é indicada na declaração de conformidade CE.



Fabricante do produto.



### 1.3 Informações da garantia

Facultamos uma garantia de fabrico para o produto, em conformidade com os nossos Termos e Condições Gerais de Compra nos respetivos países.

As reclamações de garantia só podem ser realizadas através do fornecedor ao qual o produto foi adquirido.

### 1.4 Conformidade

A qualidade é fundamental para o funcionamento da empresa, estando em conformidade com a norma ISO 13485.

Este produto apresenta a marca CE, em conformidade com a Diretiva dos Dispositivos Médicos 93/42/CEE de Classe 1.

Temos empreendido um esforço contínuo para reduzir ao mínimo o impacto local e global da empresa no ambiente.

Apenas utilizamos materiais e componentes que cumprem a diretiva REACH.

#### 1.4.1 Normas específicas do produto

O produto foi testado e está em conformidade com a norma ISO 17966 (Produtos de assistência para higiene pessoal dos utilizadores) e com todas as normas relacionadas. Tal inclui testes relacionados com a inflamabilidade. A ignição por combustão lenta progressiva e a ignição por chama não ocorrem.

Para obter informações adicionais sobre as normas e os regulamentos locais, contacte o representante local da Invacare. Consulte os endereços no final deste documento.

### 1.5 Utilização prevista

A cadeira de duche e sanitária foi concebida exclusivamente como apoio para o banho de chuveiro ou imersão, para uso da sanita, para utilização durante a higiene pessoal (ou seja, em frente ao lavatório) ou para transferência de pacientes dentro de casa. Destina-se a ser utilizada por um paciente jovem ou adulto, com ou sem assistência do prestador de cuidados, que tem:

- Dificuldades em manter-se de pé ou conservar o equilíbrio
- Pernas frágeis ou invalidez dos membros inferiores
- Problemas clínicos que interferem com o equilíbrio

Este produto destina-se a utilização em instituições e residências de particulares. Qualquer outra utilização está interdita.



#### **ADVERTÊNCIA!**

#### **Risco de lesão**

- Nunca utilize o produto como um acessório para entrar e sair de uma banheira, para subir ou descer, nem como apoio para fins semelhantes.
- Não utilize o produto no exterior.

Como cadeira sanitária, o produto pode ser utilizado sobre uma sanita comum ou de forma independente com o painel da sanita (opcional).

A cadeira de duche e sanitária só pode ser utilizada como banco de banho numa piscina, se a piscina não contiver água salgada e se houver um assistente sempre presente.

Temperatura de utilização: 10 - 65 °C

## **1.6 Vida útil**

A vida útil prevista deste produto é de cinco anos, quando o mesmo é utilizado diariamente e em conformidade com as instruções de segurança, intervalos de manutenção e utilização correcta indicados neste manual. A vida útil efectiva pode variar de acordo com a frequência e intensidade de utilização.

## 2 Segurança

### 2.1 Informações de segurança



#### ADVERTÊNCIA!

##### Risco de lesão ou danos

- Não utilize este produto ou qualquer equipamento opcional disponível sem primeiro ler e compreender estas instruções e todo o material de instrução adicional, assim como os manuais de utilização, os manuais de assistência ou os folhetos de instruções fornecidos com este produto ou com equipamento opcional.
- Se não compreender as advertências, os avisos ou as instruções, contacte um profissional de cuidados de saúde, um técnico qualificado ou um fornecedor Invacare antes de tentar utilizar este equipamento.



#### ADVERTÊNCIA!

##### Risco de lesão

- Não se coloque de pé em cima do produto.
- Não utilizar como auxiliador de escalada.
- Não utilizar no exterior.



#### ADVERTÊNCIA!

##### Risco de lesão

- Não utilizar se apresentar defeitos.
- Em caso de avaria, contacte imediatamente o seu fornecedor.
- Não faça quaisquer modificações ou alterações não autorizadas ao produto.
- Utilize apenas acessórios fabricados para este produto.



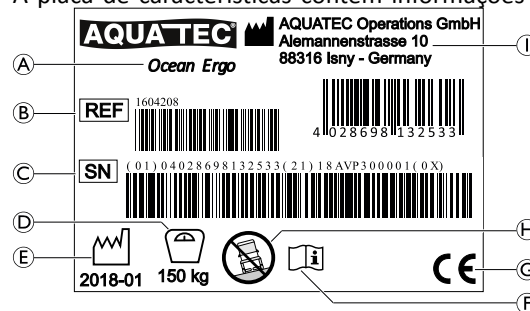
#### IMPORTANTE!

As informações neste documento podem ser alteradas sem aviso prévio.

### 2.2 Rótulos e símbolos no produto

#### Placa de características

A placa de características contém informações importantes:




Ⓐ	Designação do produto
Ⓑ	Número de referência
Ⓒ	Número de série
Ⓓ	Peso máximo do utilizador
Ⓔ	Data de fabrico
Ⓕ	Ler o manual de utilização
Ⓖ	Marca de conformidade
Ⓗ	Nota (utilizar apenas em superfícies planas)
Ⓘ	Morada do fabricante



A placa de características encontra-se fixada no interior da parte lateral esquerda.

## Etiquetas no produto

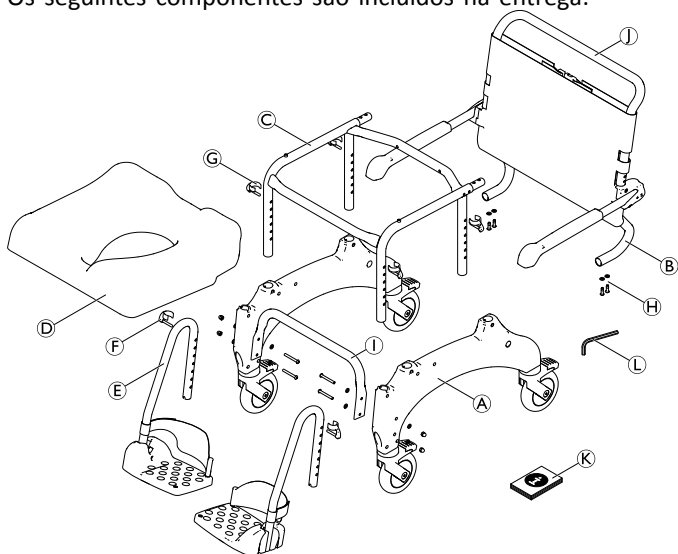
A seguinte etiqueta está fixada ao manípulo do encosto:

Etiqueta	Descrição
	<p><b>ADVERTÊNCIA!</b></p> <p>Risco de basculação</p> <ul style="list-style-type: none"> <li>– Não pise o apoio de pés ao sentar-se ou levantar-se da cadeira sanitária de chuveiro e sanita.</li> <li>– Empurre os apoios de pés para os lados ou dobre as placas de pés para cima antes de se sentar ou levantar da cadeira sanitária de chuveiro e sanita.</li> <li>– Antes de se sentar ou levantar, rode os rodízios de modo a que o bloqueio aponte para cima.</li> <li>– Não se incline demasiado para a frente ao sentar-se na cadeira sanitária de chuveiro e sanita.</li> </ul>

## 3 Componentes

### 3.1 Descrição geral

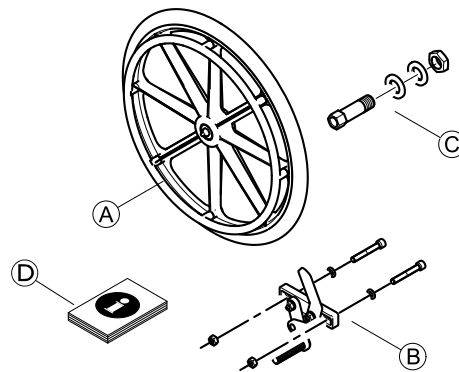
Os seguintes componentes são incluídos na entrega:



(A)	Parte lateral com rodízios (esquerdo e direito)
(B)	Encosto com tela de encosto e apoios de braços
(C)	Estrutura de assento
(D)	Assento
(E)	Apoio de pés com calcanheira (esquerdo e direito)

(F)	Grampos (2 x) para o apoio de pés (inseridos)
(G)	Grampos (4 x) para a estrutura de assento
(H)	Parafusos e anilhas (4 x)
(I)	Tubo de estabilização da base com parafusos (4 x), anilhas (8 x) e porcas (4x) - Apenas Ocean XL
(J)	Barra de empurrar
(K)	Manual de utilização
(L)	Chave Allen AF 4

As seguintes peças são incluídas no âmbito de entrega das rodas autpropulsoras com travão de estacionamento:

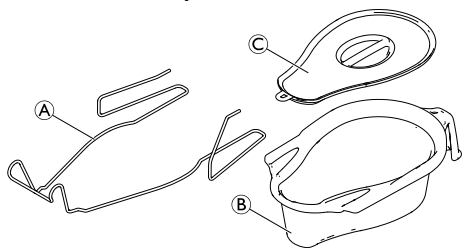


(A)	Rodas autpropulsoras (2 x)
(B)	Travões de estacionamento (2 x) com parafusos (4 x), anilhas (4 x) e porcas (4 x)

C	Cubos com eixos, anilhas e porcas (2 x)
D	Instruções de montagem

**i** Tenha em atenção a mudança nas dimensões ao encaixar as rodas autopropulsoras. Para obter detalhes, consulte o capítulo Dados técnicos.

### Acessório — Suporte de sanita com sanita



A	Suporte de sanita
B	Sanita
C	Tampa

## 4 Configuração

### 4.1 Informações de segurança



#### ADVERTÊNCIA!

- Verifique se as peças foram danificadas durante o transporte e, se necessário, contacte o fornecedor.
- Durante a montagem, certifique-se de que as peças estão posicionadas corretamente em relação umas às outras.
- Parafusos e porcas de bloqueio automático ou adesivos de bloqueio de rosca são utilizados para várias ligações. Se estes tiverem soltos, deverão ser substituídos por novos parafusos ou porcas de bloqueio automático, ou deverão ser fixados utilizando novo adesivo de bloqueio de rosca.

### 4.2 Montar a cadeira sanitária de chuveiro e sanita

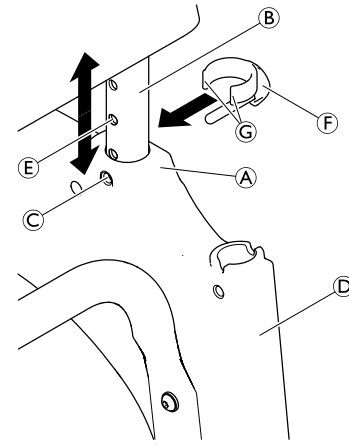
Esta secção descreve a montagem. A desmontagem funciona da forma inversa.



Para a cadeira estar perfeitamente adaptada ao utilizador, a altura do apoio de braço, o ângulo do apoio de pés, a presilha de calcanhar, a tensão da capa do encosto e os acessórios têm de estar bem ajustados.

#### 4.2.1 Instalar o tubo da estrutura de assento para ajuste da altura

1639501-B



1. Retire os grampos ⑥ incluídos do saco.
2. Coloque a estrutura de assento de lado.



#### IMPORTANTE

- Empurre a secção lateral de modo uniforme para o chassis, sem torcer.
- Fixe a secção lateral à mesma altura, tanto à frente como atrás.

3. Pressione a peça lateral ① com as guias para os apoios dos pés ② para a frente, na estrutura de assento ③.



Certifique-se de que a placa de características se encontra no interior da parte do lado esquerdo.

Certifique-se de que a orientação da estrutura de assento está correta (consulte o gráfico no capítulo 3.1)

4. Alinhe os encaixes dos grampos © na parte da frente e de trás da secção lateral com um orifício na estrutura de assento ©.
5. Insira os grampos ƒ desde o lado de fora na secção lateral, até que as extremidades dos grampos © rodeiem o tubo da estrutura de assento Ɓ.

### ! IMPORTANTE

– Assegure que as peças laterais esquerda e direita estão ajustadas à mesma altura.

6. Rode a estrutura de assento e repita o procedimento na segunda secção lateral.
7. Coloque a estrutura de assento com as secções laterais encaixadas nas respectivas rodas.

### Ajustar a altura do assento



### ADVERTÊNCIA!

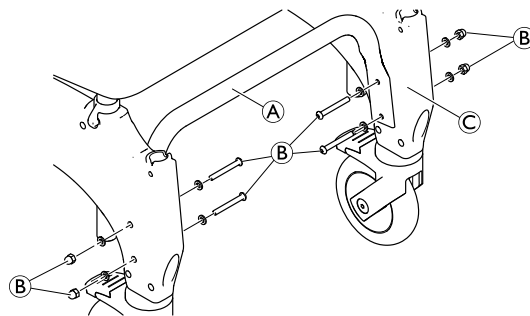
– A altura do assento tem de ser adaptada de forma igual para ambos os lados.  
– Não ajuste a altura do assento quando alguém está sentado na cadeira sanitária de chuveiro e sanita.

1. Levante ligeiramente um dos lados da cadeira sanitária de chuveiro e sanita, segurando na mesma pela estrutura de assento Ɓ.
2. Retire os dois grampos ƒ deste lado.
3. Puxe a estrutura de assento, na direção exterior à secção lateral Ɓ ou empurre-a para dentro da secção lateral para ajustar a altura do assento.
4. Volte a pressionar completamente os dois grampos.
5. Repita os passos 1 - 4 do outro lado.



A altura do assento pode ser ajustada para acomodar situações diferentes de utilização, por exemplo, a transferência a partir de uma cama ou cadeira de rodas ou a utilização sobre uma sanita, etc.

### Instalar o tubo de estabilização da base (apenas para o modelo Ocean Ergo XL)

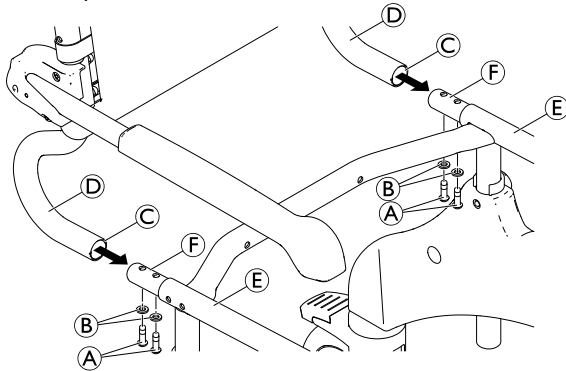


1. Instale o tubo de estabilização da base Ɓ utilizando os parafusos e porcas Ɓ fornecidos entre as peças laterais ©. Certifique-se de que o tubo de estabilização está voltado para a cima.
2. Aperte os parafusos até um torque de 5 Nm.



## 4.2.2 Instalar o encosto

- Empurre os quatro pedais dos rodízios para baixo para os bloquear.



- Empurre o encosto **D** desde o lado traseiro sobre a estrutura de assento **E**, até que o aro **C** fique encostado ao tubo da estrutura de assento **F**.

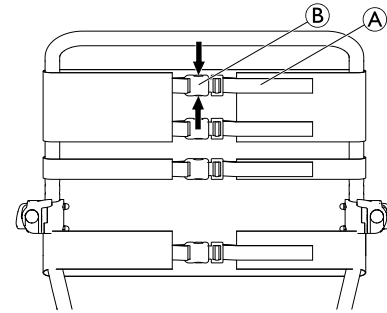
### ! IMPORTANTE!

- Aperte com firmeza os parafusos, utilizando a chave Allen facultada.
- Verifique regularmente os parafusos para assegurar que estão apertados com segurança.

- Posicione uma anilha **B** em cada parafuso **A** e fixe o encosto em cada lado.
- Aperte os parafusos até um torque de 5 Nm.

### Ajustar a capa do encosto

É possível ajustar a tensão do encosto conforme necessário.



### ADVERTÊNCIA!

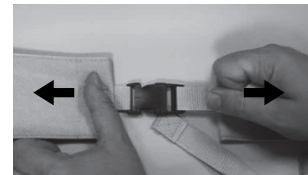
- Certifique-se de que são passados pelo menos três cintos à volta da estrutura do encosto (na parte exterior) e que as fivelas dos cintos são fechadas.

Apertar:

- Puxe os cintos **A** da capa do encosto para os apertar.

Desapertar:

- Abra as fivelas **B** apertando as presilhas de retenção em conjunto (setas).
- Empurre os cintos ligeiramente através da fivela.
- Feche as fivelas dos cintos.
- Volte a apertar os cintos com cuidado.





### ADVERTÊNCIA!

#### Risco de lesão devido a fivelas do encosto danificadas!

Verifique se as fivelas do encosto estão fechadas de forma segura sempre que o produto for objeto de manutenção ou recondicionamento.

- Verifique se todos os cliques da fivela estão fixos de forma segura, fechando as fivelas e puxando ambas as extremidades.
- Substitua o encosto/as fivelas do encosto se uma fivela se abrir sob a força exercida.

### 4.2.3 Instalar/Remover a placa de assento

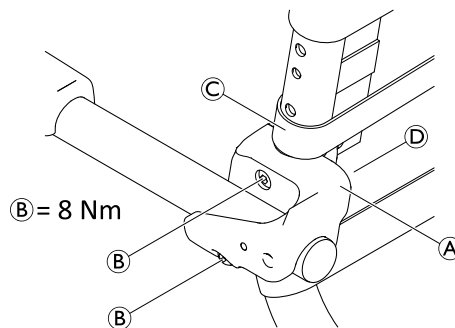
#### Instalar:

1. Coloque a placa de assento na estrutura de assento com o corte virado para a frente.
2. Com a mão numa posição plana, pressione a placa de assento para baixo nos lados e depois à frente e atrás até que esta encaixe na estrutura de assento.

#### Remover:

1. Puxe a placa de assento no sentido ascendente pela parte traseira.

### 4.2.4 Ajustar a altura dos apoios de braços



1. Na capa do encosto, abra a terceira fivela do cinto e desaperte os outros cintos.



As porcas estão inseridas de forma solta no grampo de fixação e podem cair.


2. Desaperte os parafusos ② do suporte do apoio de braço ① utilizando a chave Allen fornecida.
3. Retire o grampo de fixação ④ com as porcas do interior da estrutura do encosto.
4. Retire o suporte do encosto ① com o apoio de braço e mova-o para cima.



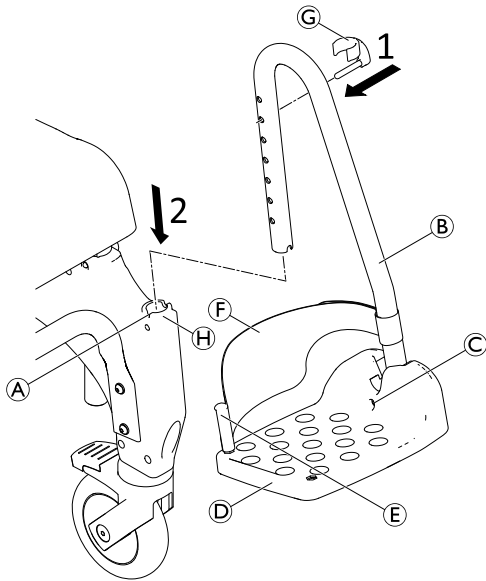
O orifício mais pequeno serve para prender o grampo de fixação.

5. Insira os parafusos no suporte do apoio de braço e oriente-os pelos orifícios na estrutura do encosto.
6. Se necessário, volte a colocar as porcas no grampo de fixação.
7. Coloque o grampo de fixação na estrutura do encosto inserindo um pino de fixação no orifício mais pequeno.


8. Rode os parafusos nas porcas e aperte-os.
9. Mova a capa do encosto de modo que a terceira fivela passe por cima ou por baixo do apoio de braço.
10. Passe o terceiro cinto da capa do encosto pelo exterior da estrutura do encosto, feche e aperte todos os cintos.
11. O procedimento de ajuste da altura é igual para o apoio de braço direito e esquerdo.

 Para prender os acessórios, pode abrir a terceira fivela pela parte de cima e a capa do encosto pode passar pela estrutura do encosto no interior.


#### 4.2.5 Instalar os apoios de pés



1. Insira o pino do grampo **G** a partir do lado de fora no orifício necessário no apoio de pés **B**. Certifique-se de que o grampo engata à volta do tubo.
2. Insira o apoio de pés na guia **H** na frente da parte lateral até o pino do grampo **G** engatar na ranhura **A**. Deixa de ser possível virar o apoio de pés de lado.


 O procedimento de montagem é o mesmo para o apoio de pés direito e esquerdo.

#### Ajustar a altura dos apoios de pés

 Se necessário, os apoios de pés podem ser encurtados (consulte o manual de assistência). O encurtamento dos apoios de pés só pode ser realizado por um técnico qualificado.

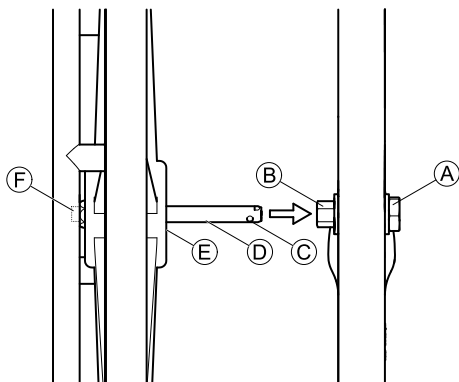
1. Puxe ligeiramente o apoio de pés **B** para cima.
2. Puxe o grampo **G** para fora do orifício no apoio de pés e volte a inseri-lo no orifício pretendido. Se necessário, puxe o apoio de pés um pouco mais.
3. Empurre o apoio de pés para baixo até a ranhura **A** engatar no pino do grampo.
4. Coloque o outro apoio de pés à altura pretendida da forma descrita.

#### Ajustar a inclinação das placas de pés

 A inclinação das placas de pés pode ser ajustada de várias formas.

1. Desaperte o parafuso Allen **C** da placa de pé utilizando uma chave Allen de tamanho 4.
2. Rode a placa de pé **D** para a posição pretendida.
3. Volte a apertar o parafuso Allen.

#### 4.2.6 Instalar/Remover as rodas autopropulsoras (opcional)



4. Prima e mantenha premido o botão **F** no exterior do eixo. Deste modo, solta as esferas de fixação **C** na extremidade do eixo.
5. Eleve ligeiramente a cadeira sanitária de chuveiro e sanita.
6. Insira o eixo no cubo **B** e pressione a roda autopropulsora contra o eixo até ao batente **E**.
7. Solte o botão **F**.
8. Certifique-se de que as esferas de fixação ficam por trás da porca hexagonal **A**.
9. A montagem é igual para as rodas autopropulsoras esquerda e direita.

Para retirar as rodas, execute o mesmo procedimento pela ordem inversa.

#### ! IMPORTANTE!

- Quando as rodas autopropulsoras estão encaixadas, os rodízios traseiros têm de permanecer bloqueados.
- Os cubos e os travões de estacionamento das rodas autopropulsoras devem ser encaixados por um técnico qualificado. A montagem é descrita nas instruções de montagem "Montar os cubos e os travões para as rodas de 24" da Aquatec®Ocean".

1. Alinhe os quatro rodízios na direção de condução.
2. Bloqueie todos os rodízios.
3. Empurre o eixo **D** das rodas autopropulsoras para dentro. (O aro de mãos fica orientado para fora.)

## 5 Acessórios (opcionais)

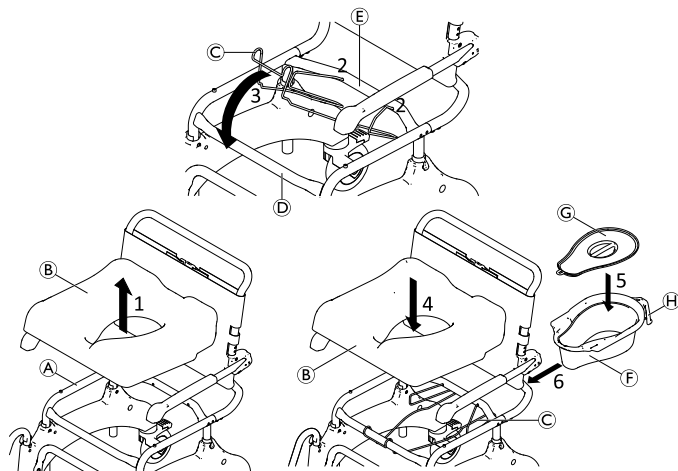


### ADVERTÊNCIA!

#### Risco de lesão

– A montagem dos acessórios (opcionais) deve ser realizada de acordo com as instruções correspondentes.

### 5.1 Encaixar/Retirar o suporte da sanita e a sanita



O suporte da sanita (F) pode ser inserido/retirado com ou sem a tampa (G).

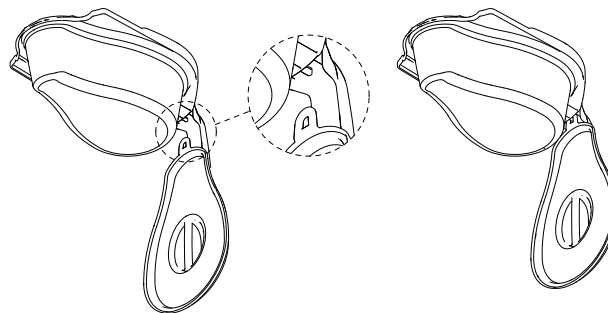
1. Retire o assento (B) do chassi (A).
2. Insira as extremidades do suporte da sanita (C) pelos orifícios do tubo transversal traseiro (E).
3. Engate a parte dianteira do suporte da sanita no tubo transversal dianteiro (D).
4. Reajuste o assento ao chassi.
5. Coloque a tampa ou retire-a da sanita.
6. Segure a sanita pelo seu manípulo (H) e insira o lado traseiro entre o suporte da sanita e o assento.



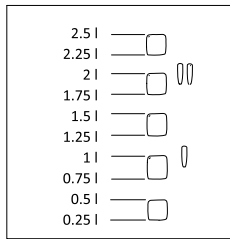
Pressione a sanita ligeiramente para baixo ao inserir ou retirar.



A tampa pode ser pendurada no gancho de plástico por baixo do manípulo da sanita.



Existe um indicador de nível de preenchimento na parede interna da sanita.



## 6 Utilização

### 6.1 Informações de segurança



#### ADVERTÊNCIA!

- Utilize a cadeira sanitária de chuveiro e sanita apenas numa superfície plana e no interior.
- Respeite as especificações da placa de características. Não sobrecarregue a cadeira sanitária de chuveiro e sanita.
- Observe a etiqueta de segurança no manípulo do encosto, *2.2 Rótulos e símbolos no produto, página 155*
- Não coloque peso excessivo sobre a cadeira sanitária de chuveiro e sanita.
- Antes de cada utilização, realize sempre uma inspeção visual do produto, procurando sinais de danos exteriores.
- Verifique regularmente a função do travão de estacionamento (opção apenas para as rodas autopropulsoras).



#### ADVERTÊNCIA!

##### Risco de escorregar

- Antes de utilizar a cadeira sanitária, certifique-se de que o assento está bem preso à estrutura de assento.
- Prenda os rodízios com alavancas utilizando alavancas de pé antes de sentar ou se levantar da cadeira sanitária de chuveiro e sanita, e quando se encontra na posição de estacionamento.
- Aplique o travão de estacionamento quando as rodas autopropulsoras estiverem encaixadas (opcional).



#### ADVERTÊNCIA!

##### Risco de basculação

- Rode os apoios de pés lateralmente ou dobre as placas de pé para cima antes de se sentar ou levantar.
- Antes de se sentar ou levantar, rode os rodízios dianteiros de modo a que o bloqueio aponte para cima.
- Nunca se coloque de pé sobre os apoios de pés.
- Não se incline excessivamente para a frente.



#### ADVERTÊNCIA!

##### Risco de basculação

- A cadeira sanitária de chuveiro e sanita só deve ser deslocada usando a barra de empurrar ou as rodas autopropulsoras (opcional).



### **ATENÇÃO!**

#### **Risco de queimaduras na pele**

Os componentes do produto podem aquecer quando são expostos a fontes externas de calor.

- Tenha em atenção as superfícies aquecidas quando utilizar a cadeira sanitária de chuveiro e sanita na sauna ou em caso de exposição a água quente.
- Não exponha o produto a luz solar direta antes da utilização.



### **ATENÇÃO!**

#### **Risco de trilhadeira ou esmagamento**

Pode existir um espaço muito pequeno entre a roda traseira e o travão de estacionamento que apresenta o risco de entalar os dedos.

- Mantenha os dedos afastados das peças em movimento quando utilizar o travão e mantenha sempre a mão na alavanca de travagem.



### **ATENÇÃO!**

#### **Risco de trilhadeira**

- Quando utilizar as rodas autopropulsoras (opcional), não insira os dedos entre os espigões ou entre as rodas autopropulsoras em movimento e a estrutura de assento no curso de uma deslocação.



### **IMPORTANTE!**

#### **Risco de danos no produto**

- Não levante a cadeira sanitária de chuveiro e sanita utilizando os apoios de pés, os apoios de braços ou quaisquer outros acessórios.



Para os utilizadores com elevado risco de se porem de pé nos apoios de pés (por exemplo, utilizadores com demência), estão disponíveis dispositivos antiqueda frontais (n.º de peça AP1601986) como acessórios para impedir que a cadeira sanitária de chuveiro e sanita tombe para a frente.

## **6.2 Rodar os apoios de braços**



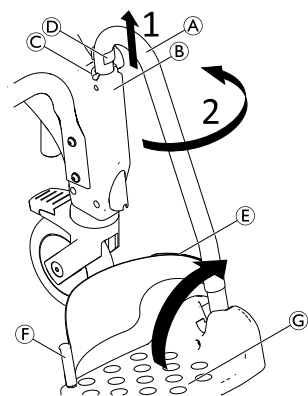
### **ATENÇÃO!**

#### **Risco de entalar os dedos no mecanismo de dobragem**

- Não insira os dedos na articulação quando dobrar os apoios de braços para cima ou para baixo.
- Não insira os dedos entre o apoio de braço e o encosto ao dobrar os apoios de braços para trás.
- Certifique-se de que nenhuma peça fica presa nas articulações.



### 6.3 Rodar os apoios de pés



#### Posição de entrada/saída:

1. Puxe o apoio de pés **A** ligeiramente para cima na guia **B** até o pino do grampo **D** deixar de estar engatado na ranhura **C**.
2. Rode o apoio de pés para o lado.

#### Posição de condução:



#### ATENÇÃO!

**Risco de acidente devido a um apoio de pés solto**

– Fixe os apoios de pés na posição de condução.

1. Rode o apoio de pés **A** para dentro.
2. Pressione o apoio de pés no sentido para baixo, até o pino do grampo **D** engatar na ranhura **C**.



Em alternativa, é possível rodar as placas de pés **G** para cima para entrar/sair da cadeira sanitária de chuveiro e sanita.

#### Remover/Encaixar a presilha de calcanhar

1. Abra a presilha de velcro **E** na presilha de calcanhar.
2. Retire o parafuso **F** da parte inferior da placa de pé.
3. Retire a presilha de calcanhar do pino de plástico flexível.



Para prender a correia, execute o mesmo procedimento pela ordem inversa.



Durante a instalação, certifique-se de que a presilha de velcro da presilha de calcanhar está orientada para trás.

### 6.4 Engatar/Desengatar os bloqueios dos rodízios

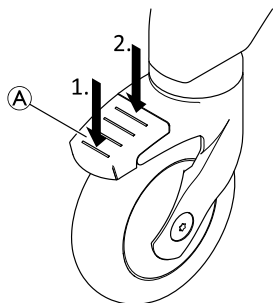


#### ATENÇÃO!

**Risco de apesamento/esmagamento**

Todos os bloqueios dos rodízios são acionados pelos pés.

– Não acione os bloqueios de rodízios com as mãos.

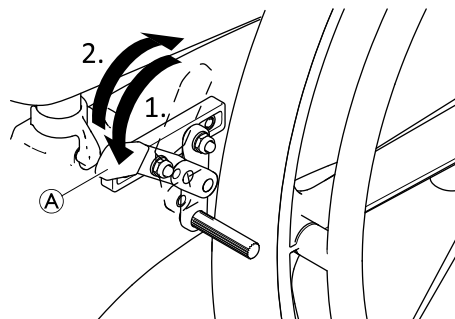


1. Para ativar os bloqueios dos rodízios pise a extremidade traseira do pedal **A** até engatar.
2. Para desativar os bloqueios dos rodízios pise a extremidade dianteira do pedal até desengatar.

**i** Os rodízios com a alavanca azul (opção) são utilizados para engatar o bloqueio de direção para um movimento mais fácil em linha reta.

## 6.5 Engatar/Desengatar os travões de estacionamento

Os travões de estacionamento são utilizados para imobilizar a cadeira sanitária de chuveiro e sanita com rodas de 24" para impedir que se desloque quando está parado.



1. Para engatar o travão de estacionamento, pressione a alavanca de travagem **A** para a frente o máximo possível.
2. Para desengatar o travão de estacionamento, puxe a alavanca de travagem para trás.

---

## 7 Transporte

---

### 7.1 Informações de segurança



Para transporte, é possível desmontar o produto nas peças fornecidas no âmbito da entrega. Consulte a secção *3 Componentes, página 157*.

1. Desmontar o produto: Consulte o capítulo *4 Configuração, página 159* seguindo os passos de montagem pela ordem inversa.



#### **IMPORTANTE!**

##### **Risco de danos no produto**

- Transporte o produto numa área seca.
- Não exponha o produto a luz solar direta.
- Consulte as condições de armazenamento e transporte na secção *11.3 Parâmetros ambientais, página 178*



#### **IMPORTANTE!**

- Parafusos e porcas de bloqueio automático ou adesivos de bloqueio de rosca são utilizados para várias ligações. Se estes tiverem soltos, deverão ser substituídos por novos parafusos ou porcas de bloqueio automático, ou deverão ser fixados utilizando novo adesivo de bloqueio de rosca.

## 8 Manutenção

### 8.1 Manutenção e inspeção

O produto não requer manutenção, desde que as instruções de limpeza e segurança descritas abaixo sejam cumpridas.

Para garantir um bom desempenho e segurança, devem efetuar-se regularmente as seguintes verificações:

- Verifique regularmente se o produto e os acessórios apresentam danos. Não utilize o produto se apresentar defeitos.
- Em caso de danos ou avaria, recomenda-se que contacte o fornecedor.
- Certifique-se de que o produto está montado de forma segura e que todos os parafusos estão devidamente apertados.



#### **ADVERTÊNCIA!**

##### **Risco de lesão e danos**

Se o produto não estiver bem ajustado pode causar acidentes e lesões graves.

- O produto tem de ser reparado por um técnico qualificado.
- As partes danificadas têm de ser substituídas por um técnico qualificado.
- Utilize apenas peças sobressalentes originais da Invacare.

### 8.2 Limpeza e desinfeção

O produto pode ser limpo e desinfetado utilizando detergentes disponíveis comercialmente.



#### **IMPORTANTE!**

Na área sensível da casa de banho e a sanita, a higiene é particularmente importante.

- Limpe o produto com regularidade para o manter sempre limpo.
- Desinfete o produto regularmente.

1. Desinfete o produto limpando com desinfetante todas as superfícies de acesso comum (se possível, desmontando primeiro o produto).



#### **IMPORTANTE!**

Todos os agentes de limpeza e desinfetantes utilizados devem ser eficazes, compatíveis entre si e passíveis de proteger os materiais aos quais são aplicados para limpeza. Para obter mais informações sobre a descontaminação em ambientes de cuidados de saúde, consulte as diretrizes sobre controlo de infeções do "National Institute for Clinical Excellence" ([www.nice.org.uk/CG139](http://www.nice.org.uk/CG139)) e as normas de controlo de infeções locais.

- Limpe à mão ou numa máquina de lavar ou autoclave.
- Limpe sem agentes abrasivos.

### Limpar num ambiente doméstico

1. Retire todos os acessórios instalados (apenas os acessórios que não requerem ferramentas).
2. Retire os apoios de pés das guias.
3. Remova a placa de assento e a capa do encosto.
4. Limpe as peças individuais utilizando um pano ou escova e agentes de limpeza ou desinfetantes disponíveis comercialmente.
5. Enxague as peças com água quente.
6. Seque as peças com um pano.
7. Volte a montar o produto. Consulte o capítulo 4 Configuração.

### Limpar num ambiente clínico



Além do procedimento de limpeza descrito antes, recomendamos a limpeza do produto antes de ser utilizado por outro paciente, no final do período de utilização ou numa base regular (dependendo do que ocorrer primeiro) a

- 90 °C durante 1 minuto
  - 85 °C durante 3 minutos
  - 80 °C durante 10 minutos
- na autoclave.



#### **ATENÇÃO!**

#### **Risco de queimaduras na pele**

- Deixe que o produto arrefeça depois de o limpar na máquina de lavar ou na autoclave.

### Limpar a capa do encosto (opcional)

1. Retire da capa do encosto.
2. Lave a capa na máquina a uma temperatura máxima de 60 °C, usando um detergente suave.



#### **IMPORTANT!**

#### **Risco de danos**

- A lavagem a temperaturas mais elevadas pode causar danos.
- Não secar à máquina.



#### **IMPORTANT!**

- A limpeza excessiva pode danificar os têxteis.
- Recomendamos que substitua a capa do encosto de dois em dois anos por motivos de higiene.

### Limpar a sanita (opcional)

A sanita pode ser limpa numa autoclave nas temperaturas e durante os períodos seguintes:

- 90 °C durante 1 minuto
- 85 °C durante 3 minutos
- 80 °C durante 10 minutos.

## 9 Após a utilização

### 9.1 Armazenamento



#### **IMPORTANTE!**

##### **Risco de danos no produto**

- Armazene o produto numa área seca.
- Não armazene o produto junto a fontes de calor.
- Não exponha o produto a luz solar direta.
- Consulte as condições de armazenamento e transporte na secção *11.3 Parâmetros ambientais, página 178*

### 9.2 Reutilização

O produto é adequado para uma utilização repetida. O número de vezes que pode ser utilizado depende da sua frequência e forma de utilização. Antes de reutilizar, limpe e desinfete completamente o produto (→ *8.2 Limpeza e desinfecção, página 174*) e verifique se apresenta danos e se está corretamente montado.

### 9.3 Eliminação

Seja amigo do ambiente e recicle os diferentes materiais e componentes deste produto em separado através das instalações de reciclagem no fim da respetiva vida útil.

A eliminação e a reciclagem de produtos utilizados e da embalagem devem cumprir as leis e os regulamentos relativos à gestão de resíduos de cada país. Para obter informações, contacte a sua empresa de gestão de resíduos local.

## 10 Resolução de problemas

### 10.1 Identificar e reparar falhas

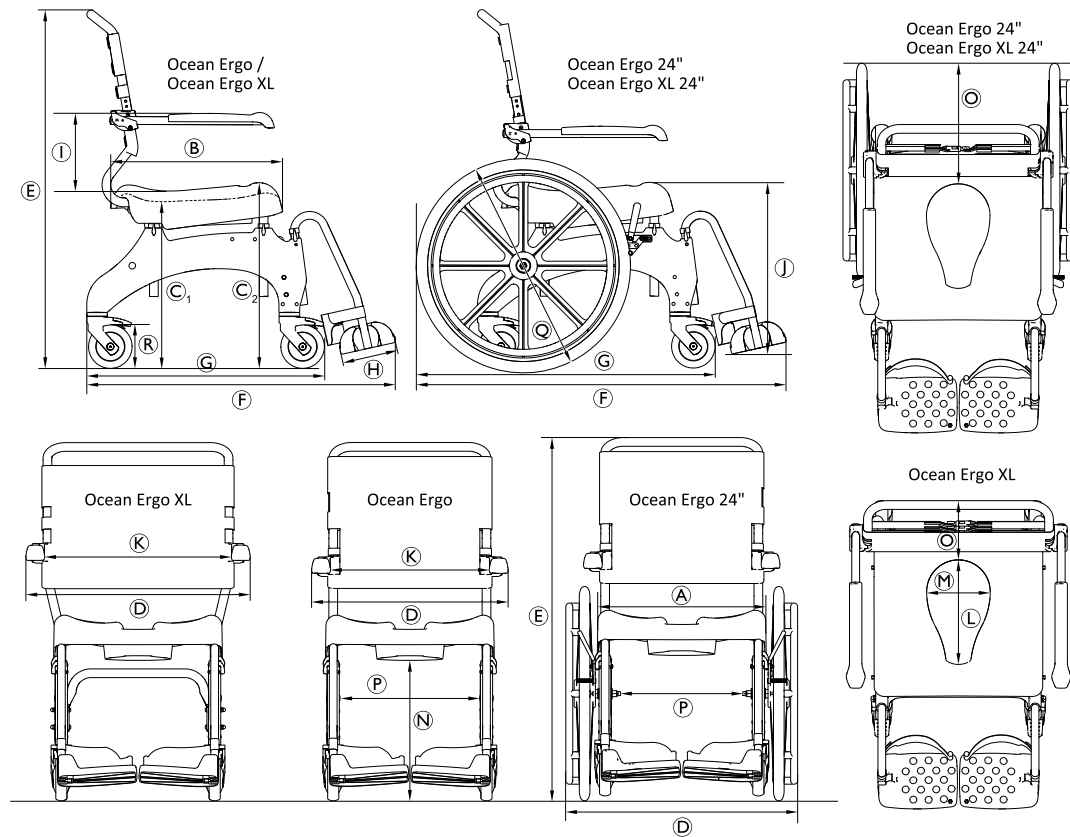


A tabela seguinte faculta informações sobre avarias e as suas causas possíveis. Se não conseguir corrigir a avaria utilizando as soluções indicadas, contacte diretamente o seu fornecedor especialista.

Falha	Causa possível	Solução
Dificuldade em ajustar a altura do assento	Sujidade entre a estrutura de assento e a secção lateral	Desmonte as várias peças do produto fornecidas no âmbito da entrega e limpe-as rigorosamente.
É difícil ou impossível rodar os rodízios	Sujidade entre a forqueta e o aro	Limpe rigorosamente os rodízios.
Dificuldade em empurrar os apoios de pés para o lado	Depósitos nas calhas	Limpe rigorosamente os apoios de pés e as calhas.
Não é possível engatar o travão de estacionamento das rodas autopropulsoras (opcional)	Travão de estacionamento incorretamente ajustado	O travão de estacionamento deve ser ajustado por um técnico qualificado.

## 11 Características Técnicas

### 11.1 Dimensões e peso





	Ocean Ergo	Ocean Ergo XL	Rodas de 24" da Ocean Ergo	Rodas de 24" da Ocean Ergo XL
Ⓐ	480 mm			
Ⓑ	480 mm			
Ⓒ <sub>1</sub>	475 mm – 600 mm			
Ⓒ <sub>2</sub>	533 mm – 658 mm			
Ⓓ	565 mm	645 mm	670 mm	
Ⓔ	1020 mm – 1145 mm		1045 mm – 1170 mm	
Ⓕ	905 mm		1050 mm	
Ⓖ	700 mm		850 mm	
Ⓗ	160 mm			
Ⓘ	215 mm / 253 mm / 290 mm	253 mm / 290 mm	215 mm / 253 mm / 290 mm	253 mm / 290 mm
Ⓙ	295 mm – 570 mm			
Ⓚ	455 mm	535 mm	455 mm	535 mm
Ⓛ	350 mm (a partir de cima) / 300 mm (a partir de baixo)			
Ⓜ	250 mm (a partir de cima) / 182 mm (a partir de baixo)			
Ⓝ	400 mm – 525 mm			
Ⓞ	200 mm		355 mm	
Ⓟ	405 mm		360 mm	
Ⓠ	—		Æ 24" (610 mm)	
Ⓡ	Æ 5" (127 mm)			

	Ocean Ergo	Ocean Ergo XL	Rodas de 24" da Ocean Ergo	Rodas de 24" da Ocean Ergo XL
Diâmetro de rotação	2100 mm		1940 mm	
Largura de reversão	1070 mm		1240 mm	
Peso do produto	17 kg	18 kg	23 kg	24 kg
Peso máx. do utilizador	150 kg	180 kg	150 kg	180 kg

## 11.2 Materiais

Chassis	Aço inoxidável, lacado
Placa de assento	Polipropileno
Capa do encosto	Nylon, revestido com PVC
Apoios de pés/peças laterais	Polipropileno, reforçado com fibra de vidro
Almofadas de apoio de braço	Polipropileno
Rodízios	Plástico e aço inoxidável
Superfície de rolamento das rodas de 24"	???

Todos os componentes do produto são resistentes à corrosão e não contêm látex de borracha natural.

## 11.3 Parâmetros ambientais

<b>Condições de funcionamento</b>	
Temperatura ambiente	10 - 65 °C
Humidade relativa	15% - 93%, sem condensação
Pressão atmosférica	795 - 1060 hPa
<b>Condições de transporte e armazenamento</b>	
Temperatura ambiente	0 - 40 °C
Humidade relativa	30% - 75%, sem condensação
Pressão atmosférica	795 - 1060 hPa

---

# Inhoudsopgave

---

Deze handleiding dient te worden overhandigd aan de gebruiker van het product. Lees deze handleiding VÓÓR u het product gebruikt en bewaar hem voor eventuele raadplegingen in de toekomst.

<b>1 Algemeen</b>	<b>.180</b>
1.1 Inleiding	.180
1.2 Symbolen in deze handleiding	.180
1.3 Garantie-informatie	.181
1.4 Naleving	.181
1.4.1 Productspecifieke normen	.181
1.5 Beoogd gebruik	.181
1.6 Levensduur	.182
<b>2 Veiligheid</b>	<b>.183</b>
2.1 Veiligheidsinformatie	.183
2.2 Typeplaatjes en symbolen op het product	.183
<b>3 Componenten</b>	<b>.185</b>
3.1 Overzicht	.185
<b>4 Montage</b>	<b>.187</b>
4.1 Veiligheidsinformatie	.187
4.2 De douche- en toiletstoel monteren	.187
4.2.1 De zitframebuis installeren voor hoogteaanpassing	.187
4.2.2 De rugleuning installeren	.189
4.2.3 De zitplaat installeren/verwijderen	.190
4.2.4 De hoogte van de armsteunen aanpassen	.190
4.2.5 De voetsteunen installeren	.191
4.2.6 De door de gebruiker aan te drijven wielen (optioneel) installeren/verwijderen	.192
<b>5 Accessoires (optioneel)</b>	<b>.194</b>
5.1 De ondersteekhouder en toiletpot monteren/verwijderen	.194

<b>6 Gebruik</b>	<b>.196</b>
6.1 Veiligheidsinformatie	.196
6.2 De armsteunen draaien	.197
6.3 De voetsteunen draaien	.197
6.4 De remmen van de zwenkwielen in-/uitschakelen	.198
6.5 De parkeerremmen koppelen/ontkoppelen	.198
<b>7 Transport</b>	<b>.200</b>
7.1 Veiligheidsinformatie	.200
<b>8 Onderhoud</b>	<b>.201</b>
8.1 Onderhoud en inspectie	.201
8.2 Schoonmaken en desinfecteren	.201
<b>9 Na gebruik</b>	<b>.203</b>
9.1 Opslag	.203
9.2 Hergebruik	.203
9.3 Afvoeren	.203
<b>10 Problemen oplossen</b>	<b>.204</b>
10.1 Storingen identificeren en oplossen	.204
<b>11 Technische Specificaties</b>	<b>.205</b>
11.1 Afmetingen en gewicht	.205
11.2 Materialen	.207
11.3 Omgevingsparameters	.207

## 1 Algemeen

### 1.1 Inleiding

Deze gebruiksaanwijzing bevat belangrijke informatie over het gebruik van dit product. Lees de gebruiksaanwijzing aandachtig door en volg de veiligheidsinstructies op om zeker te zijn van een veilig gebruik van het product.

Gelieve te noteren dat er waarschijnlijk secties in deze handleiding vermeld zijn die misschien niet relevant zijn voor uw product, maar deze handleiding verwijst naar alle modellen (op de dag van uitgifte). Elke sectie van deze handleiding verwijst naar alle modellen van dit product, tenzij anders vermeld.

De modellen en uitvoeringen die in uw land beschikbaar zijn, zijn te vinden op de prijslijst van het desbetreffende land.

Invacare behoudt zich het recht om productspecificaties te wijzigen zonder voorafgaand bericht.

Controleer voordat u deze gebruiksaanwijzing leest of u de juiste versie hebt. U vindt een pdf-bestand met de laatste versie op de Invacare-website.

Mocht u problemen ondervinden met de lettergrootte van deze handleiding, kunt u de PDF versie downloaden via onze website. U kunt deze dan uitvergroten op uw scherm tot de gewenste lettergrootte.

Voor meer informatie over dit product, contacteer uw Invacare vertegenwoordiger. Een overzicht kunt u terugvinden op de laatste bladzijde van deze handleiding.

### 1.2 Symbolen in deze handleiding

In deze handleiding worden waarschuwingen aangeduid met symbolen. De waarschuwingssymbolen worden vergezeld van een kop die de ernst van het gevaar aangeeft.



#### WAARSCHUWING

Duidt op een gevaarlijke situatie die kan leiden tot ernstig letsel of overlijden als de situatie niet wordt vermeden.



#### LET OP

Duidt op een gevaarlijke situatie die kan leiden tot licht of beperkt letsel als de situatie niet wordt vermeden.



#### BELANGRIJK

Duidt op een gevaarlijke situatie die kan leiden tot materiële schade als de situatie niet wordt vermeden.



#### Tips en adviezen

Hier worden nuttige tips, adviezen en informatie voor efficiënt, probleemloos gebruik gegeven.



Dit product voldoet aan richtlijn 93/42/EEG betreffende medische hulpmiddelen. De introductiedatum van dit product staat vermeld in de CE-conformiteitsverklaring.



Fabrikant van het product.

### 1.3 Garantie-informatie

Wij bieden voor dit product een fabrieksgarantie in overeenstemming met onze Algemene Voorwaarden in de respectievelijke landen.

Garantieclaims kunnen alleen worden ingediend via de dealer bij wie u het product hebt gekocht.

### 1.4 Naleving

Kwaliteit is cruciaal bij onze bedrijfsactiviteiten, waarbij wordt gewerkt binnen de normen van ISO 13485.

Dit product is voorzien van het CE-merk, conform Richtlijn 93/42/EEG betreffende medische hulpmiddelen, klasse 1.

Wij werken er continu aan om ervoor te zorgen dat het effect van het bedrijf op het milieu, zowel lokaal als internationaal, zo veel mogelijk wordt beperkt.

Wij maken uitsluitend gebruik van materialen en onderdelen die voldoen aan de REACH-richtlijnen.

#### 1.4.1 Productspecifieke normen

Het product is getest en voldoet aan de norm ISO 17966 (Helpende producten voor persoonlijke hygiëne ter ondersteuning van gebruikers) en alle bijbehorende normen. Deze norm omvat tests op ontvlambaarheid. Progressief brandende ontsteking en vlammeende ontsteking treden niet op.

Neem voor meer informatie over de lokale normen en voorschriften contact op met uw lokale Invacare-vertegenwoordiger. Zie de adressen aan het einde van dit document.

### 1.5 Beoogd gebruik

De douche- en toiletstoel is alleen bedoeld ter ondersteuning bij het douchen of baden, het gebruik van het toilet, voor gebruik tijdens persoonlijke hygiëne (bijv. voor de wasbak) of voor het verplaatsen van patiënten binnenshuis. Het is bedoeld voor gebruik door een jeugd of volwassen patiënt, met of zonder hulp van een verzorger, die:

- moeite hebben met staan of evenwicht houden;
- last hebben van zwakke benen of een handicap aan de benen
- last hebben van medische aandoeningen die hun evenwicht negatief beïnvloeden

Het product is alleen bedoeld voor gebruik in zorginstellingen en thuis. Elk ander gebruik is verboden.



#### **WAARSCHUWING!**

##### **Kans op lichamelijk letsel**

- Gebruik het product nooit als hulpmiddel om in of uit het bad te stappen, voor klimmen of omlaag stappen als ondersteuning of voor enig ander vergelijkbaar doel.
- Het product mag niet buiten worden gebruikt.

U kunt het product als toiletstoel gebruiken boven een standaardtoilet of los met een ondersteek (optioneel).

De douche- en toiletstoel mag alleen worden gebruikt als badkruk in een zwembad als het zwembad geen zout water bevat en er altijd een begeleider in de buurt is.

Gebruikstemperatuur: 10 - 65 °C

## **1.6 Levensduur**

De verwachte levensduur van dit product is vijf jaar bij dagelijks gebruik en in overeenstemming met de veiligheidsinstructies, onderhoudstermijnen en bij correct gebruik, zoals aangegeven in deze handleiding. De effectieve levensduur kan variëren afhankelijk van de frequentie en intensiteit van het gebruik.

## 2 Veiligheid

### 2.1 Veiligheidsinformatie



#### WAARSCHUWING!

##### Risico op schade of lichamelijk letsel

- Gebruik dit product of de beschikbare optionele apparatuur alleen als u deze instructies en het eventuele aanvullende instructiemateriaal volledig hebt doorgelezen en begrepen, met inbegrip van de gebruikershandleidingen, servicehandleidingen of instructiebladen die bij dit product of de optionele apparatuur worden verstrekt.
- Als u de waarschuwingen, aandachtspunten of instructies niet begrijpt, neem dan contact op met een zorgverlener, een Invacare-leverancier of een technisch medewerker voordat u deze apparatuur gaat gebruiken.



#### WAARSCHUWING!

##### Kans op lichamelijk letsel

- Ga niet op dit product staan.
- Niet als klimhulpmiddel gebruiken.
- Dit product niet buiten gebruiken.



#### WAARSCHUWING!

##### Kans op lichamelijk letsel

- Niet gebruiken indien defect.
- Neem direct contact op met uw leverancier in geval van een defect.
- Voer geen ongeautoriseerde wijzigingen of aanpassingen uit op het product.
- Gebruik alleen de accessoires die bedoeld zijn voor dit product.



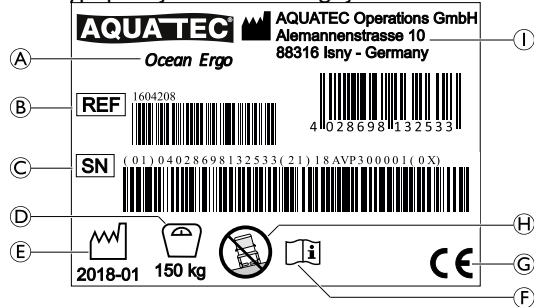
#### BELANGRIJK!

De informatie in dit document kan zonder voorafgaande kennisgeving worden gewijzigd.

### 2.2 Typeplaatjes en symbolen op het product


#### Typeplaatje

Het typeplaatje bevat belangrijke informatie:



(A)	Productaanduiding
(B)	Referentienummer

Ⓒ	Serienummer
Ⓓ	Maximaal gebruikersgewicht
Ⓔ	Fabricagedatum
Ⓕ	Lees de gebruikershandleiding
Ⓖ	Conformiteitsmarkering
Ⓗ	Opmerking (alleen te gebruiken op vlakke ondergrond)
Ⓘ	Adres van de fabrikant

 Het typeplaatje is aan de binnenkant van de linkerzijde bevestigd.

## Labels op het product

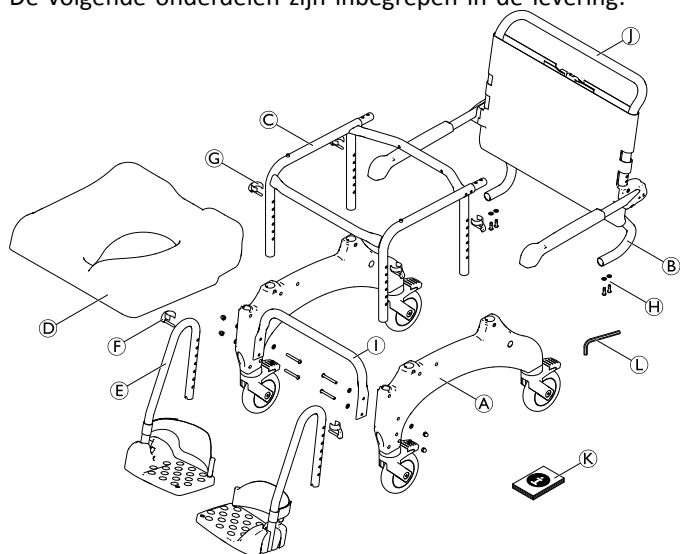
Het volgende label is aan de handgreep van de rugleuning bevestigd:	
Label	Omschrijving
	<p><b>WAARSCHUWING!</b></p> <p>Risico op kantelen</p> <ul style="list-style-type: none"> <li>- Ga niet op de voetsteun staan om in of uit de douche- en toiletstoel te komen.</li> <li>- Duw de voetsteunen naar de zijkant of klap de voetplaten in voordat u in of uit de douche- en toiletstoel stapt.</li> <li>- Draai de zwenkwielen zo, dat de vergrendeling naar voren is gericht voordat iemand plaatsneemt in de rolstoel of iemand opstaat.</li> <li>- Leun niet te ver naar voren wanneer u in de douche- en toiletstoel zit.</li> </ul>



## 3 Componenten

### 3.1 Overzicht

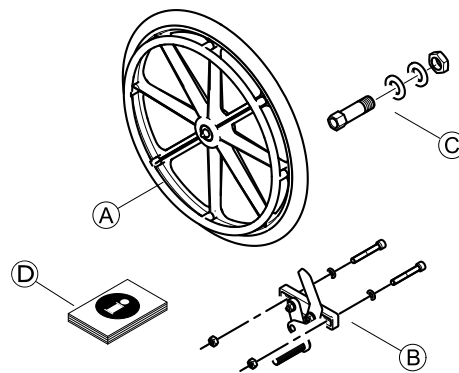
De volgende onderdelen zijn inbegrepen in de levering:



(A)	Zijkant met zwenkwielen (links en rechts)
(B)	Rugleuning met rugbekleding en armsteunen
(C)	Zitframe
(D)	Zitting
(E)	Voetsteun met hielband (links en rechts)

(F)	Klemmen (2x) voor voetsteun (geplaatst)
(G)	Klemmen (4x) voor zitframe
(H)	Schroeven en sluitringen (4x)
(I)	Stabilisatiestang van de onderkant met schroeven (4x), sluitringen (8x) en moeren (4x) - alleen Ocean XL
(J)	Duwstang
(K)	Gebruikershandleiding
(L)	Inbussleutel AF 4

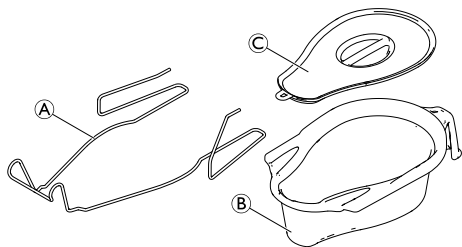
De volgende onderdelen zijn inbegrepen in de levering van de door de gebruiker aan te drijven wielen met parkeerrem:



Ⓐ	Door de gebruiker aan te drijven wielen (2x)
Ⓑ	Parkeerremmen (2x) met schroeven (4x), sluitringen (4x) en moeren (4x)
Ⓒ	Naven inclusief assen en sluitringen en moeren (2x)
Ⓓ	Montageaanwijzing

**i** Houd rekening met andere afmetingen bij montage van door de gebruiker aan te drijven wielen. Zie voor meer informatie het hoofdstuk Technische gegevens.

**Accessoire: ondersteekhouder met ondersteek**



Ⓐ	Ondersteekhouder
Ⓑ	Toiletpot
Ⓒ	Deksel

## 4 Montage

### 4.1 Veiligheidsinformatie



#### WAARSCHUWING!

- Controleer de onderdelen op transportschade voordat u het product in gebruik neemt en neem indien nodig contact op met uw leverancier.
- Houd er bij de montage rekening mee dat alle onderdelen juist geplaatst dienen te worden zodat er geen beschadigingen optreden.
- Zelfborgende schroeven/moeren of kleefstof voor schroefdraadborging worden gebruikt voor verschillende verbindingen. Als deze worden losgemaakt, moeten ze worden vervangen door nieuwe zelfborgende schroeven/moeren, of worden vastgezet met behulp van een nieuwe kleefstof voor schroefdraadborging.

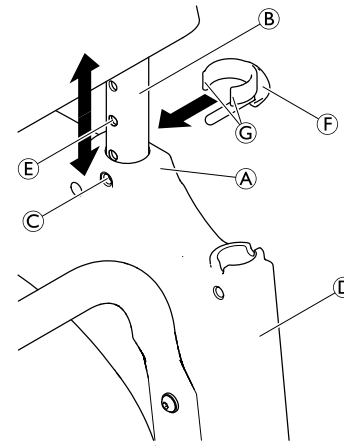
### 4.2 De douche- en toiletstoel monteren

In dit gedeelte wordt de montage beschreven. Demontage wordt in omgekeerde volgorde uitgevoerd.



De hoogte van de arm- en voetsteun, de hoek van de voetsteun, de hielband, de spanning van de rugbekleding en accessoires moeten optimaal op de gebruiker zijn afgestemd.

#### 4.2.1 De zitframebuis installeren voor hoogteaanpassing



1. Verwijder de meegeleverde klemmen ⑥ uit de tas.
2. Zet het zitframe op zijn kant.



#### BELANGRIJK

- Druk het zijgedeelte gelijkmatig op het frame en draai het niet.
  - Zet het zijgedeelte op dezelfde hoogte, voor en achter.
3. Druk het zijgedeelte ① met de geleiders voor de voetsteunen ② voorwaarts op het zitframe ③.



Zorg ervoor dat het typeplaatje aan de binnenkant van de linkerzijde is bevestigd.

Zorg ervoor dat het zitframe correct is geplaatst (zie afbeelding in hoofdstuk 3.1).

4. Zet het klemstuk © op de voor- en achterkant van het zijgedeelte op een lijn met een gat in het zitframe ©.
5. Breng de klemmen © vanaf de buitenkant in de zijkant in tot beide randen van de klem © de zitframebuis © omsluiten.

### ! BELANGRIJK

– Zorg ervoor dat de linker- en rechterzijgedeelten op dezelfde hoogte zijn ingesteld.

6. Draai het zitframe en herhaal de procedure bij het tweede zijgedeelte.
7. Plaats het zitframe met de gemonteerde zijgedeelten op zijn wielen.

### De zithoogte aanpassen



### WAARSCHUWING!

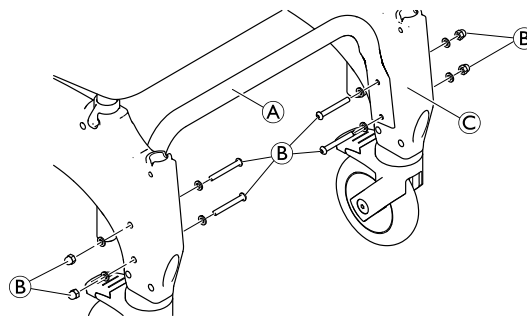
– De zithoogte moet aan beide kanten op dezelfde hoogte worden afgesteld.  
– Pas de zithoogte niet aan wanneer er iemand op de douche- en toiletstoel zit.

1. Zet de douche- en toiletstoel via het zitframe iets hoger op een kant ©.
2. Verwijder beide klemmen © aan deze kant.
3. Haal het zitframe uit het zijgedeelte © of druk het in het zijgedeelte om de zithoogte aan te passen.
4. Duw beide klemmen er helemaal terug in.
5. Herhaal stappen 1-4 aan de andere kant.



De zithoogte kan worden versteld in verschillende gebruikssituaties, bijv. verplaatsing van een bed naar een rolstoel of gebruik boven een toilet, etc.

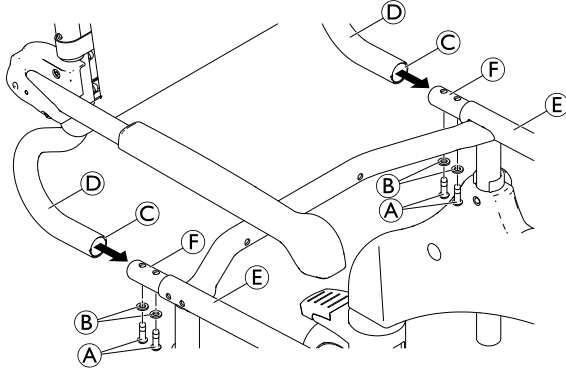
### Stabilisatiestang van de onderkant installeren (alleen Ocean Ergo XL)



1. Installeer de stabilisatiestang van de onderkant © met de meegeleverde schroeven en moeren © tussen de zijgedeelten ©. Zorg ervoor dat de stabilisatiestang naar boven is gericht.
2. Draai de schroeven aan met een moment van 5 Nm.

## 4.2.2 De rugleuning installeren

1. Druk alle vier voetpedalen naar beneden zodat de zwenkwielen worden vergrendeld.



2. Druk de rugleuning ④ vanaf de achterkant in het zitframe ⑤ tot de boord ③ de zitframebuis raakt ⑥.

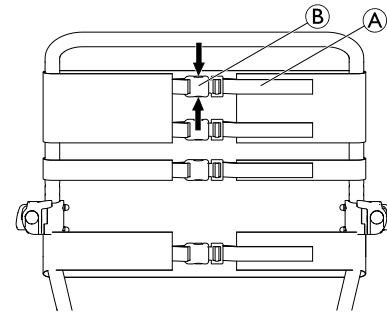
### ! BELANGRIJK!

- Draai de schroeven stevig aan met de meegeleverde inbussleutel.
- Controleer regelmatig of de schroeven goed vastzitten.

3. Plaats een sluitring ② op elke schroef ① en zet de rugleuning aan elke zijde stevig vast.
4. Draai de schroeven aan met een moment van 5 Nm.

### De rugbekleding aanpassen

De spanning van de rugleuning kan waar nodig worden aangepast.



### WAARSCHUWING!

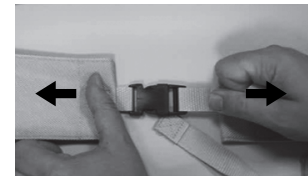
- Zorg dat er altijd minimaal drie riemen zijn gelegd rond het rugleuningframe (aan de buitenkant) en dat de riemgespen vastzitten.

Aanspannen:

1. Span de riemen ① van de rugbekleding aan.

Losmaken:

1. Open de riemgespen ② door de lippen naar elkaar toe te drukken (pijlen).
2. Duw de riemen een stuk terug door de gesp.
3. Zet de riemgespen vast.
4. Span de riemen opnieuw een beetje aan.





### WAARSCHUWING!

#### Risico op letsel door beschadigde rugleuninggordels.

Controleer na elk onderhoud of elke reparatie of de rugleuninggordels stevig vastzitten.

- Controleer of alle gordelclips stevig vastzitten door de gordels te sluiten en aan beide uiteinden te trekken.
- Vervang de rugleuning/rugleuninggordels als een gordel tijdens het trekken opent.

## 4.2.3 De zitplaat installeren/verwijderen

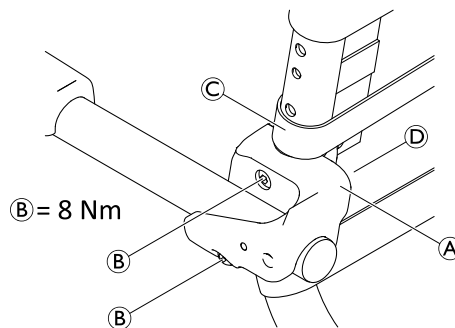
### Installatie:

1. Plaats de zitplaat op het zitframe met de uitsparing naar de voorkant gericht.
2. Druk met de vlakke hand de zijkanten van de zitplaat naar beneden en duw vervolgens tegen de voor- en achterzijde tot de zitplaat in het zitframe valt.

### Verwijderen:

1. Trek de zitplaat aan de achterkant naar boven.

## 4.2.4 De hoogte van de armsteunen aanpassen



1. Open de derde gesp van de riem op de rugbekleding en zet de andere riemen losser.



De bouten worden los in de borgklem geplaatst en kunnen loskomen.

2. Draai de schroeven **B** van de armsteunbeugel **A** los met de meegeleverde inbusleutel.
3. Verwijder de borgklem **D** met de bouten van de binnenkant van het rugleuningframe.
4. Verwijder de rugleuningbeugel **A** samen met de armsteun en beweeg deze naar boven.



Het kleinere gat dient ter bevestiging van de borgklem.

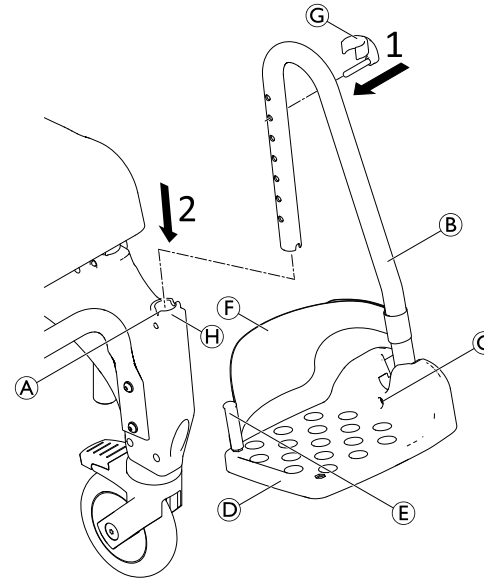
5. Plaats de schroeven in de armsteunbeugel en duw deze door de gaten in het rugleuningframe.
6. Indien nodig plaatst u de bouten opnieuw in de borgklem.
7. Zet de borgklem op het rugleuningframe en breng de bevestigingspen in het kleinere gat in.

8. Draai de schroeven in de moeren en draai ze aan.
9. Verplaats de rugbekleding zo dat de derde riem boven of onder de armsteunen komt.
10. Leg de derde riem van de rugbekleding langs de buitenkant van het rugleuningframe, sluit alle riemen en trek ze aan.
11. De procedure van de hoogteaangepassing is gelijk voor zowel de rechter- als de linkerarmsteun.



Voor het bevestigen van accessoires opent u de derde riem vanaf de bovenkant en schuift u de rugbekleding er via de binnenkant van het rugleuningframe door.

#### 4.2.5 De voetsteunen installeren




1. Plaats de pen van de klem ① vanaf de buitenkant in het vereiste gat op de voetsteun ②. Zorg ervoor dat de klem rond de buis is vastgeklit.
2. Druk de voetsteun in de geleider ④ aan de voorkant van de zijkant totdat de pen van de klem ① in de groef ③ zit. De voetsteun kan niet meer opzij worden gedraaid.



De montageprocedure is gelijk voor zowel de rechter- als de linkervoetsteun.

#### De hoogte van de voetsteunen aanpassen

 De voetsteunen kunnen indien nodig worden ingekort (raadpleeg de servicehandleiding). Het inkorten van de voetsteunen moet worden uitgevoerd door een gekwalificeerde technicus.

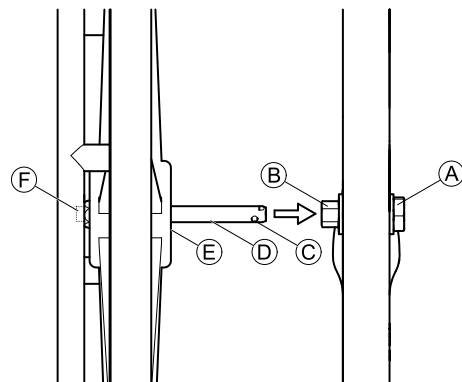
1. Trek de voetsteun **Ⓑ** iets omhoog.
2. Trek de klem **Ⓒ** uit het gat in de voetsteun en plaats hem opnieuw in het vereiste gat. Trek de voetsteun indien nodig een klein stukje verder uit.
3. Druk de voetsteun omlaag tot de groef **Ⓐ** in de pen van de klem valt.
4. Stel de andere voetsteun op de vereiste hoogte in.

#### De helling van de voetplaten instellen

 De helling van de voetplaten kan met oneindig veel variaties worden ingesteld.

1. Draai de inbusschroef **Ⓒ** op de voetplaat losser met een inbussleutel van maat 4.
2. Draai de voetplaat **Ⓓ** naar de vereiste positie.
3. Draai de inbusschroef weer vast.

#### 4.2.6 De door de gebruiker aan te drijven wielen (optioneel) installeren/verwijderen



#### **BELANGRIJK!**

- Wanneer de door de gebruiker aan te drijven wielen worden gemonteerd, moeten de achterste zwenkwielen vergrendeld blijven.
- De navens en de parkeerremmen voor de door de gebruiker aan te drijven wielen moeten door een gekwalificeerde technicus worden gemonteerd. De montage wordt beschreven in de gebruikershandleiding "De navens en remmen voor Aquatec® Ocean 24"-wielen" monteren.

1. Zet de vier zwenkwielen in de rijrichting.
2. Vergrendel alle zwenkwielen.
3. Druk de as **Ⓓ** op de door de gebruiker aan te drijven wielen naar binnen. (De hoepels wijzen naar buiten.)



4. Houd de knop ⑥ op de buitenkant van de as ingedrukt. Hiermee komen de borgballen ③ aan het uiteinde van de as vrij.
5. Zet de douche- en toiletstoel iets hoger.
6. Steek de as in de naaf ② en druk die door de gebruiker aan te drijven wiel op de as tot aan de eindstop ⑤.
7. Laat de knop ⑥ los.
8. Controleer of de borgballen achter de zeskantige moer ① komen.
9. De montage is gelijk voor zowel de rechter- als het linker- door de gebruiker aan te drijven wiel.

Om de wielen te verwijderen, voert u dezelfde procedure uit in omgekeerde volgorde.

## 5 Accessoires (optioneel)

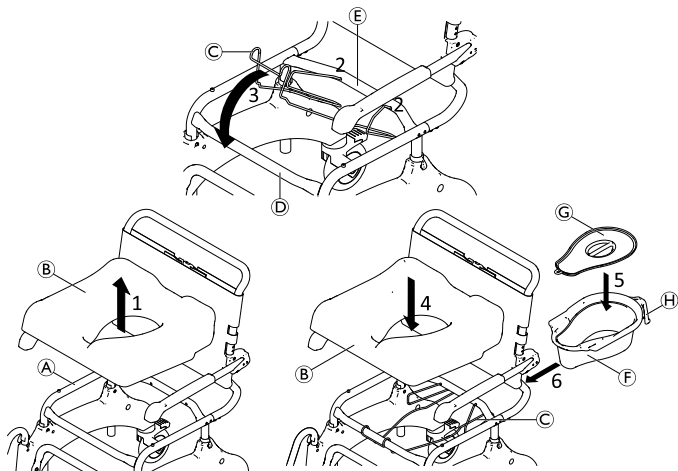


### WAARSCHUWING!

#### Kans op lichamelijk letsel

– De montage van accessoires (optioneel) moet volgens de bijbehorende instructies worden uitgevoerd.

### 5.1 De ondersteekhouder en toiletpot monteren/verwijderen



De toiletpot ⑥ kan met of zonder deksel ⑦ worden geplaatst/verwijderd.

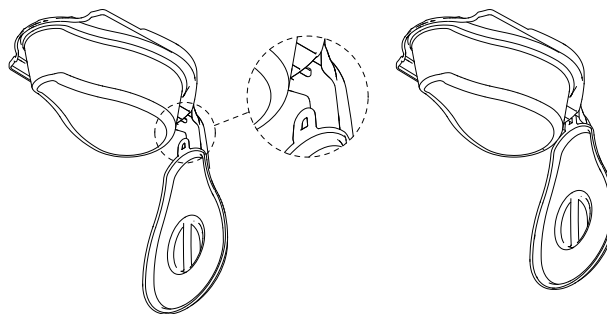
1. Verwijder de zitting ② uit het frame ①.
2. Plaats de uiteinden van de ondersteekhouder ③ in de gaten van de achterste kruisstang ⑤.
3. Klik het voorste deel van de ondersteekhouder vast aan de voorste kruisstang ④.
4. Plaats de zitting weer in het frame.
5. Zet het deksel op of verwijder het van de toiletpot.
6. Houd de toiletpot bij de handgreep ⑧ vast en plaats die via de achterkant tussen de ondersteekhouder en de zitting.



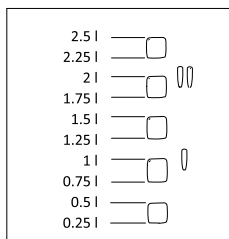
Duw de toiletpot iets naar beneden bij het plaatsen of verwijderen.



Het deksel kan aan de plastic haak worden gehangen aan de onderkant van de handgreep van de toiletpot.



Er zit een inhoudsindicator aan de binnenkant van de toiletpot.



## 6 Gebruik

### 6.1 Veiligheidsinformatie



#### **WAARSCHUWING!**

- Gebruik de douche- en toiletstoel alleen op een vlakke ondergrond en binnenshuis.
- Kijk naar de specificaties op het typeplaatje. Zorg ervoor dat u de douche- en toiletstoel niet overbelast.
- Let op het veiligheidslabel op de handgreep van de rugleuning. *2.2 Typeplaatjes en symbolen op het product, pagina 183*
- Plaats geen al te zware voorwerpen op de douche- en toiletstoel.
- Voer altijd voor elk gebruik een visuele inspectie van het product op externe beschadigingen uit.
- Controleer regelmatig de werking van de parkeerrem (alleen bij de optie met door de gebruiker aan te drijven wielen).



#### **WAARSCHUWING!**

##### **Risico op uitglijden en weggrollen**

- Zorg er vóór gebruik voor dat de zitting veilig is bevestigd aan het zitframe.
- Vergrendel alle zwenkwielen met hendels met de voetsluitingen voordat iemand plaatsneemt, iemand opstaat of als de douche- en toiletstoel staat geparkeerd.
- Gebruik de parkeerrem wanneer de door de gebruiker aan te drijven wielen (optioneel) worden gemonteerd.



#### **WAARSCHUWING!**

##### **Risico op kantelen**

- Draai de voetsteunen naar de zijkant of klap de voetplaten omhoog voordat iemand plaatsneemt in de rolstoel of iemand opstaat.
- Draai de voorste zwenkwielen zodat de vergrendeling naar voren is gericht voordat iemand plaatsneemt in de rolstoel of iemand opstaat.
- Ga nooit op de voetsteunen staan.
- Leun niet te ver voorover.



#### **WAARSCHUWING!**

##### **Risico op kantelen**

- De douche- en toiletstoel mag alleen worden verplaatst met behulp van de duwstang of de met de hand aan te drijven wielen (optioneel).



#### **LET OP!**

##### **Risico op verbranding van de huid**

- De onderdelen van het product kunnen heet worden bij blootstelling aan een externe verwarmingsbron.
- Houd rekening met verwarmde oppervlakken bij het gebruik van de douche- en toiletstoel in de sauna of wanneer die is blootgesteld aan heet water.
  - Stel het product vóór gebruik niet bloot aan direct zonlicht.

**LET OP!****Kans op beknelling of verbrijzeling**

Er bestaat een kleine opening tussen het achterwiel en de parkeerrem waarbij het risico bestaat dat uw vingers bekneld raken.

- Houd vingers uit de buurt van beweegbare onderdelen wanneer u de rem gebruikt, maar houd uw hand altijd op de remhendel.

**LET OP!****Uw vingers kunnen bekneld raken**

- Bij gebruik van door de gebruiker voortgedreven wielen (optioneel) moet u uw vingers niet tussen de spaken of de draaiende wielen en het zitframe laten komen terwijl u rijdt.

**BELANGRIJK!****Risico op beschadiging van het product**

- Til de douche- en toiletstoel niet bij de voetsteunen, armsteunen of accessoires op.



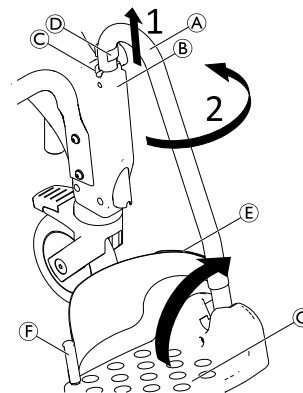
Voor gebruikers bij wie het risico groot is dat ze op de voetsteunen gaan staan (bijv. bij dementie), zijn er antikantelsteunen aan de voorzijde (onderdeelnr. AP1601986) verkrijgbaar als accessoires om te voorkomen dat de douche- en toiletstoel vooroverkantelt.

## 6.2 De armsteunen draaien

**LET OP!****Vingers kunnen in het inklapmechanisme bekneld raken**

- Plaats geen vingers in de gelede koppeling wanneer de armsteunen naar boven of onderen worden geklapt.
- Plaats geen vingers tussen de armsteun en de rugleuning wanneer de armsteunen naar achteren worden ingeklapt.
- Zorg ervoor dat er geen onderdelen in de verbindingen blijven hangen.

## 6.3 De voetsteunen draaien



**Instappositie/uitstappositie:**

1. Trek de voetsteun ① in de geleider ② iets omhoog totdat de pen van de klem ③ niet meer vastzit in de groef ④.
2. Zwenk de voetsteun naar de zijkant.

#### Rijpositie:



#### LET OP!

#### Risico op ongeluk als gevolg van losse voetsteun

– Bevestig de voetsteunen in de rijpositie.

1. Draai de voetsteun ① naar binnen.
2. Druk de voetsteun omlaag tot de pen van de klem ③ in de groef ④ valt.



De voetplaten ⑤ kunnen ook omhoog gezwenkt worden om in of uit de douche- en toiletstoel te komen.

#### De hielband verwijderen/bevestigen

1. Open de haak-en-lusband ⑥ op de hielband.
2. Verwijder de schroef ⑦ uit de onderkant van de voetplaat.
3. Verwijder de hielband uit de flexibele plastic pen.



Om de band te bevestigen, voert u dezelfde procedure uit in omgekeerde volgorde.



Zorg er bij de installatie van een voetsteun altijd voor dat de haak-en-lusband van de hielband naar achteren is gericht.

## 6.4 De remmen van de zwenkwielen in-/uitschakelen

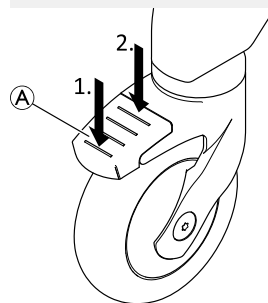


#### LET OP!

#### Beknellingsgevaar

Alle remmen van de zwenkwielen worden met de voet bediend.

– Rem de zwenkwielen niet met de hand.



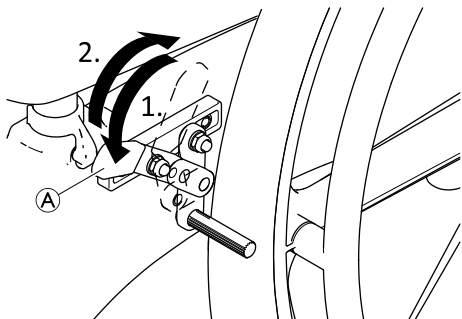
1. Om het zwenkwiel te vergrendelen, stapt u op het achterste deel van het pedaal ① totdat die vastklikt.
2. Om het zwenkwiel te ontgrendelen, stapt u op het voorste deel van het pedaal totdat die loskomt.



Het zwenkwiel met de blauwe hendel (optie) wordt gebruikt om de richtingsvergrendeling vast te zetten om makkelijker rechtdoor te rijden.

## 6.5 De parkeerremmen koppelen/ontkoppelen

De parkeerremmen zijn bedoeld om de douche- en toiletstoel met wielen van 24 inch te blokkeren om rollen vanuit stilstand te voorkomen.



1. Duw de remhendel **A** zo ver mogelijk naar voren om te remmen.
2. Trek de remhendel zo ver mogelijk naar achteren om de rem los te laten.

## 7 Transport

### 7.1 Veiligheidsinformatie



Het product kan voor transport worden gedemonteerd in de onderdelen die zijn inbegrepen in de levering. Zie hoofdstuk 3 *Componenten, pagina 185*

1. Demonteer het product: Raadpleeg hoofdstuk 4 *Montage, pagina 187* door de stappen voor montage in omgekeerde volgorde te volgen.



#### **BELANGRIJK!**

- **Risico op beschadiging van het product**
  - Vervoer het product in een droge omgeving.
  - Stel dit product niet bloot aan direct zonlicht.
  - Raadpleeg de voorschriften voor opslag en transport in hoofdstuk 11.3 *Omgevingsparameters, pagina 207*.



#### **BELANGRIJK!**

- - Zelfborgende schroeven/moeren of kleefstof voor schroefdraadborging worden gebruikt voor verschillende verbindingen. Als deze worden losgemaakt, moeten ze worden vervangen door nieuwe zelfborgende schroeven/moeren, of worden vastgezet met behulp van een nieuwe kleefstof voor schroefdraadborging.



## 8 Onderhoud

### 8.1 Onderhoud en inspectie

Als de onderstaande instructies voor schoonmaak en veiligheid in acht worden genomen, heeft het product geen onderhoud nodig.

Voor een goede en veilige werking moeten de volgende controles regelmatig worden uitgevoerd:

- Controleer het product en de accessoires regelmatig op schade. Het product niet gebruiken indien defect.
- Bij schade of storingen is het raadzaam om contact op te nemen met de leverancier.
- Controleer of het product stevig is gemonteerd en of alle schroeven goed zijn vastgedraaid.



#### **WAARSCHUWING!**

##### **Risico op letsel en beschadiging**

Als het product onjuist is afgesteld, kan het ongelukken en ernstig letsel veroorzaken.

- Het product moet worden gerepareerd door een gekwalificeerde technicus.
- Beschadigde onderdelen moeten door een gekwalificeerd technicus worden vervangen.
- Gebruik alleen originele Invacare-reserveonderdelen.

### 8.2 Schoonmaken en desinfecteren

Het product kan worden schoongemaakt en gedesinfecteerd met behulp van commercieel verkrijgbare middelen.



#### **BELANGRIJK!**

Hygiëne is erg belangrijk, vooral op gevoelige plaatsen als de badkamer en de wc.

- Houd het product te allen tijde schoon en neem het regelmatig af.
- Desinfecteer het product regelmatig.

1. Desinfecteer het product door alle algemeen toegankelijke oppervlakken af te nemen met een desinfecteermiddel (indien mogelijk na demontage van het product).



#### **BELANGRIJK!**

Alle gebruikte reinigings- en desinfecteringsmiddelen moeten effectief zijn, met elkaar gecombineerd kunnen worden en de te reinigen materialen beschermen. Voor meer informatie over ontsmetting in verzorgingsomgevingen raadpleegt u de richtlijnen 'The National Institute for Clinical Excellence' op Infection Control [www.nice.org.uk/CG139](http://www.nice.org.uk/CG139) en uw lokale beleid voor infectiebeheer.

- Maak handmatig schoon of in een wasmachine of autoclaaf.
- Schoonmaken zonder schuurmiddel.

### Reiniging in een huiselijke omgeving

1. Verwijder eventueel gemonteerde accessoires (alleen accessoires waarvoor geen gereedschap nodig is).
2. Trek de voetsteunen uit de geleiders.
3. Verwijder de zitplaat en de rugbekleding.
4. Neem de verschillende onderdelen met een doek of borstel af en in de handel verkrijgbare reinigingsmiddelen en desinfecterende middelen.
5. Spoel de onderdelen met warm water af.
6. Droog de onderdelen met een doek.
7. Zet het product weer in elkaar. Zie hoofdstuk 4 Montage.

### Reiniging in een klinische omgeving



Naast de hierboven omschreven manier van reinigen raden wij u aan het product te reinigen voordat het door een andere patiënt wordt gebruikt, na beëindiging van de gebruikperiode of op regelmatige basis (afhankelijk van wat zich het eerst voordoet) bij

- 90 °C gedurende 1 minuut
- 85 °C gedurende 3 minuten
- 80 °C gedurende 10 minuten

in een autoclaaf.



#### LET OP!

#### Risico op verbranding van de huid

– Laat het product afkoelen na reiniging in de wasmachine of autoclaaf.

### De rugbekleding (optioneel) reinigen

1. Verwijder de rugbekleding.
2. Was de bekleding met een mild wasmiddel in de wasmachine op maximaal 60 °C.



#### BELANGRIJK!

#### Risico op beschadiging

- Wassen op hogere temperaturen kan leiden tot schade.
- Niet in de wasdroger drogen.



#### BELANGRIJK!

- Door overmatig reinigen kan textiel beschadigen.
- Wij raden u aan de rugbekleding elke twee jaar te vervangen als goede hygiënepraktijk.

### De ondersteek reinigen (optioneel)

De ondersteek kan worden gereinigd in een autoclaaf met de volgende temperaturen/tijden:

- 90 °C gedurende 1 minuut
- 85 °C gedurende 3 minuten
- 80 °C gedurende 10 minuten.

## 9 Na gebruik

contact op met uw plaatselijke afvalverwerkingsbedrijf voor meer informatie.

### 9.1 Opslag



#### **BELANGRIJK!**

#### **Risico op beschadiging van het product**

- Bewaar het product in een droge omgeving.
- Bewaar dit product niet in de buurt van warmtebronnen.
- Stel dit product niet bloot aan direct zonlicht.
- Raadpleeg de voorschriften voor opslag en transport in hoofdstuk *11.3 Omgevingsparameters, pagina 207*.

### 9.2 Hergebruik

Het product is geschikt voor hergebruik. Hoe vaak het product kan worden hergebruikt, hangt af van de frequentie waarmee en manier waarop het product wordt gebruikt. Voordat u het product opnieuw gebruikt, moet u het grondig schoonmaken en ontsmetten(→ *8.2 Schoonmaken en desinfecteren, pagina 204*) en controleren op schade en juiste montage.

### 9.3 Afvoeren

Wij hopen dat u voldoende milieubewust bent om de verschillende materialen en onderdelen van dit product aan het einde van hun gebruiksduur afzonderlijk te recyclen via een afvalverwerkingsstation.

Het afvoeren en het recyclen van gebruikte producten en verpakkingen moeten voldoen aan de wet- en regelgeving voor de verwerking van afval in het betreffende land. Neem

## 10 Problemen oplossen

### 10.1 Storingen identificeren en oplossen

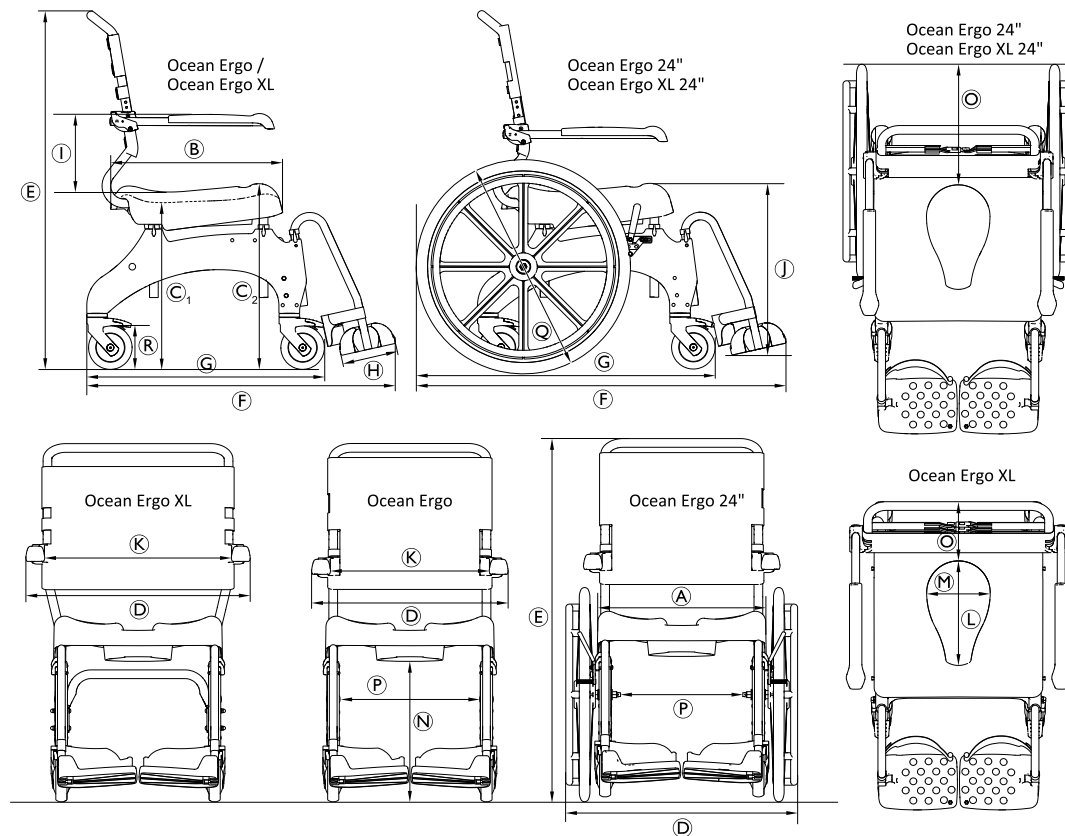


In de volgende tabel vindt u een overzicht van storingen en de mogelijke oorzaken daarvan. Als u de storing niet kunt verhelpen met behulp van de gegeven oplossingen, kunt u ook rechtstreeks contact opnemen met uw gespecialiseerde dealer.

Storing	Mogelijke oorzaak	Oplossing
Moeilijkheden bij het aanpassen van de zithoogte	Vuil tussen het zitframe en de zijkant	Haal het product uit elkaar tot de onderdelen die u bij de levering ontving en reinig deze grondig
De zwenkwielen draaien moeilijk of niet	Vuil tussen de vork en de velg	Reinig de zwenkwielen grondig
Moeilijkheden bij het opzij duwen van de voetsteunen	Neerslag in de geleiders	Reinig de voetsteunen en de geleiders grondig
Parkeerrem van de door de gebruiker aan te drijven wielen (optioneel) doet het niet	Parkeerrem is niet goed aangepast	De parkeerrem moet worden aangepast door een gekwalificeerde technicus.

# 11 Technische Specificaties

## 11.1 Afmetingen en gewicht



	Ocean Ergo	Ocean Ergo XL	Ocean Ergo - wielen van 24 inch	Ocean Ergo XL - wielen van 24 inch
Ⓐ	480 mm			
Ⓑ	480 mm			
Ⓒ <sub>1</sub>	475 mm – 600 mm			
Ⓒ <sub>2</sub>	533 mm – 658 mm			
Ⓓ	565 mm	645 mm	670 mm	
Ⓔ	1020 mm – 1145 mm		1045 mm – 1170 mm	
Ⓕ	905 mm		1050 mm	
Ⓖ	700 mm		850 mm	
Ⓗ	160 mm			
Ⓘ	215 mm / 253 mm / 290 mm	253 mm / 290 mm	215 mm / 253 mm / 290 mm	253 mm / 290 mm
Ⓙ	295 mm – 570 mm			
Ⓚ	455 mm	535 mm	455 mm	535 mm
Ⓛ	350 mm (bovenkant) / 300 mm (onderkant)			
Ⓜ	250 mm (bovenkant) / 182 mm (onderkant)			
Ⓝ	400 mm – 525 mm			
Ⓞ	200 mm		355 mm	
Ⓟ	405 mm		360 mm	
Ⓠ	—		Æ 24 inch (610 mm)	
Ⓡ	Æ 5 inch (127 mm)			

	Ocean Ergo	Ocean Ergo XL	Ocean Ergo - wielen van 24 inch	Ocean Ergo XL - wielen van 24 inch
Draaidiameter	2100 mm		1940 mm	
Achteruitrij-breedte	1070 mm		1240 mm	
Gewicht van product	17 kg	18 kg	23 kg	24 kg
Max. gebruikersgewicht	150 kg	180 kg	150 kg	180 kg

## 11.2 Materialen

Frame	Roestvrij staal, gemoffeld
Zitplaat	Polypropyleen
Rugbekleding	Kunststof, PVC-coating
Voetsteunen/zijgedeelte	Polypropyleen, glasvezelversterkt
Armsteunkussens	Polypropyleen
Zwenkwielen	Kunststof en roestvrij staal
Loopvlak van wielen van 24"	PUR

Alle onderdelen van het product zijn roestbestendig en bevatten geen natuurrubberlatex.

## 11.3 Omgevingsparameters

<b>Bedrijfsomstandigheden</b>	
Omgevingstemperatuur	10 - 65 °C
Relatieve luchtvochtigheid	15% - 93%, zonder condensvorming
Atmosferische druk	795 - 1060 hPa
<b>Voorschriften voor opslag en transport</b>	
Omgevingstemperatuur	0 - 40 °C
Relatieve luchtvochtigheid	30% - 75%, zonder condensvorming
Atmosferische druk	795 - 1060 hPa





## Περιεχόμενα

Το παρόν εγχειρίδιο πρέπει να δίνεται στον τελικό χρήστη. ΠΡΙΝ από την χρήση του προϊόντος, διαβάστε αυτό το εγχειρίδιο και φυλάξτε το για μελλοντική αναφορά.

<b>1 ΓΕΝΙΚΕΣ</b>	<b>210</b>
1.1 Εισαγωγή	210
1.2 Σύμβολα στο παρόν εγχειρίδιο	210
1.3 Πληροφορίες για την εγγύηση	211
1.4 Συμμόρφωση	211
1.4.1 Πρότυπα ειδικά για το προϊόν	211
1.5 Χρήση για την οποία προορίζεται	211
1.6 Διάρκεια λειτουργικής ζωής	212
<b>2 Ασφάλειας</b>	<b>213</b>
2.1 Πληροφορίες για την ασφάλεια	213
2.2 Ετικέτες και σύμβολα στο προϊόν	213
<b>3 Εξαρτήματα</b>	<b>215</b>
3.1 Επισκόπηση	215
<b>4 Διάταξη</b>	<b>217</b>
4.1 Πληροφορίες για την ασφάλεια	217
4.2 Συναρμολόγηση προσαρτήματος ντους και τουαλέτας	217
4.2.1 Εγκατάσταση του σωλήνα πλαισίου καθίσματος για τη ρύθμιση ύψους	217
4.2.2 Τοποθέτηση πλάτης	219
4.2.3 Τοποθέτηση/αφαίρεση της πλάκας καθίσματος	220
4.2.4 Ρύθμιση του ύψους των υποβραχιόνιων	220
4.2.5 Εγκατάσταση υποποδιών	221
4.2.6 Τοποθέτηση εξαγωγή τροχών αυτόματης κίνησης (προαιρετικό)	222
<b>5 Παρελκόμενο (προαιρετικό)</b>	<b>224</b>
5.1 Τοποθέτηση/εξαγωγή βάσης ουροδοχείου και ουροδοχείου	224

<b>6 Χρήση</b>	<b>226</b>
6.1 Πληροφορίες για την ασφάλεια	226
6.2 Περιστροφή υποβραχιόνιων	227
6.3 Περιστροφή υποποδιών	228
6.4 Ασφάλιση/απασφάλιση ασφαλειών τροχών	228
6.5 Ασφάλιση/απασφάλιση φρένων στάθμευσης	229
<b>7 Μεταφορά</b>	<b>230</b>
7.1 Πληροφορίες για την ασφάλεια	230
<b>8 ΣΥΝΤΗΡΗΣΗ</b>	<b>231</b>
8.1 Συντήρηση και επιθεώρηση	231
8.2 Καθαρισμός και απολύμανση	231
<b>9 μετά από χρήση</b>	<b>233</b>
9.1 Αποθήκευση	233
9.2 Επαναχρησιμοποίηση	233
9.3 Απόρριψη	233
<b>10 Αντιμετώπιση προβλημάτων</b>	<b>234</b>
10.1 Εντοπισμός και αποκατάσταση βλαβών	234
<b>11 Τεχνικά Δεδομένα</b>	<b>235</b>
11.1 Διαστάσεις και βάρος	235
11.2 Υλικά	237
11.3 Περιβαλλοντικές παράμετροι	237

## 1 ΓΕΝΙΚΕΣ

### 1.1 Εισαγωγή

Το παρόν εγχειρίδιο χρήσης περιέχει σημαντικές πληροφορίες σχετικά με τον χειρισμό του προϊόντος. Για να διασφαλιστεί η ασφαλής χρήση του προϊόντος, μελετήστε προσεκτικά το εγχειρίδιο χρήσης και ακολουθήστε τις οδηγίες ασφαλείας.

Να έχετε υπόψιν σας ότι μπορεί να υπάρχουν ενότητες στο παρόν εγχειρίδιο χρήσης που δεν σχετίζονται με το δικό σας προϊόν, αφού το παρόν εγχειρίδιο ισχύει για όλα τα διαθέσιμα μοντέλα (κατά την ημερομηνία εκτύπωσής του). Εάν δεν αναφέρεται διαφορετικά, κάθε ενότητα στο παρόν εγχειρίδιο αναφέρεται σε όλα τα μοντέλα του προϊόντος.

Τα μοντέλα και οι διαμορφώσεις που διατίθενται στη χώρα σας βρίσκονται στους τιμοκαταλόγους κάθε χώρας.

Η Invacare επιφυλάσσεται του δικαιώματος να μεταβάλλει τις προδιαγραφές του προϊόντος χωρίς άλλη ειδοποίηση.

Πριν διαβάσετε το παρόν εγχειρίδιο, βεβαιωθείτε ότι έχετε την πιο πρόσφατη έκδοση. Μπορείτε να βρείτε την πιο πρόσφατη έκδοση ως αρχείο PDF στον ιστότοπο της Invacare.

Εάν βρίσκετε δυσανάγνωστο το μέγεθος της γραμματοσειράς στην έντυπη έκδοση του εγχειριδίου χρήσης, μπορείτε να κάνετε λήψη της έκδοσης PDF από τον ιστότοπο. Το αρχείο PDF μπορεί κατόπιν να προσαρμοστεί στην οθόνη σε μέγεθος γραμματοσειράς περισσότερο άνετο για εσάς.

Για περισσότερες πληροφορίες σχετικά με το προϊόν, π.χ. ειδοποιήσεις ασφαλείας και ανακλήσεις του προϊόντος,

επικοινωνήστε με τον τοπικό αντιπρόσωπο της Invacare. Στο τέλος του παρόντος εγχειριδίου αναγράφονται οι σχετικές διευθύνσεις.

### 1.2 Σύμβολα στο παρόν εγχειρίδιο

Στο παρόν εγχειρίδιο χρησιμοποιούνται σύμβολα και λέξεις σήμανσης που αφορούν κινδύνους ή μη ασφαλείς πρακτικές που μπορεί να οδηγήσουν σε τραυματισμό ή υλική βλάβη. Ανατρέξτε στις παρακάτω πληροφορίες για ορισμούς των προειδοποιητικών λέξεων.



#### ΠΡΟΕΙΔΟΠΟΙΗΣΗ

Υποδεικνύει μια επικίνδυνη κατάσταση, η οποία, εάν δεν αποφευχθεί, μπορεί να οδηγήσει σε σοβαρό τραυματισμό ή θάνατο.



#### ΠΡΟΣΟΧΗ

Υποδεικνύει μια επικίνδυνη κατάσταση, η οποία, εάν δεν αποφευχθεί, θα μπορούσε να οδηγήσει σε δευτερεύων ή ήπιο τραυματισμό.



#### ΣΗΜΑΝΤΙΚΟ

Υποδεικνύει μια εν δυνάμει επικίνδυνη κατάσταση η οποία, εάν δεν αποφευχθεί, θα μπορούσε να οδηγήσει σε υλική βλάβη.



#### Συμβουλές και συστάσεις

Παρέχει χρήσιμες υποδείξεις, συστάσεις και πληροφορίες για αποτελεσματική χρήση χωρίς προβλήματα.



Αυτό το προϊόν συμμορφώνεται με την Οδηγία 93/42/EK περί ιατρικών συσκευών. Η ημερομηνία κυκλοφορίας αυτού του προϊόντος αναφέρεται στη δήλωση συμμόρφωσης ΕΚ.



Κατασκευαστής του προϊόντος.

### 1.3 Πληροφορίες για την εγγύηση

Παρέχουμε εγγύηση κατασκευαστή για το προϊόν σύμφωνα με τους γενικούς όρους και συνθήκες επιχειρηματικής δραστηριότητας στις αντίστοιχες χώρες.

Απαιτήσεις στο πλαίσιο της εγγύησης επιτρέπονται μόνο μέσω του προμηθευτή από τον οποίο αγοράστηκε το προϊόν.

### 1.4 Συμμόρφωση

Η ποιότητα είναι θεμελιώδους σημασίας για τις εργασίες της εταιρίας, που λειτουργεί εντός των προβλέψεων του ISO 13485.

Το παρόν προϊόν φέρει το σήμα CE, σε συμμόρφωση με την Οδηγία 93/42/ΕΟΚ περί των ιατροτεχνολογικών προϊόντων Κατηγορίας 1.

Καταβάλλουμε συνεχείς προσπάθειες ώστε να διασφαλίζεται ότι η επίδραση της εταιρείας στο περιβάλλον, σε τοπικό και παγκόσμιο επίπεδο, μειώνεται στο ελάχιστο.

Χρησιμοποιούμε αποκλειστικά υλικά και εξαρτήματα που είναι συμβατά με την οδηγία REACH.

#### 1.4.1 Πρότυπα ειδικά για το προϊόν

Το προϊόν έχει ελεγχθεί και βρέθηκε σύμφωνο με το πρότυπο ISO 17966 (Προϊόντα υποβοήθησης προσωπικής υγιεινής και υποστήριξης χρηστών) και τα συναφή πρότυπα. Αυτό περιλαμβάνει δοκιμές ευφλεκτότητας. Δεν προκαλείται προοδευτική ανάφλεξη πυράκτωσης και φλόγας.

Για περαιτέρω πληροφορίες σχετικά με τα τοπικά πρότυπα και κανονισμούς, επικοινωνήστε με τον τοπικό αντιπρόσωπο της Invacare. Στο τέλος του παρόντος εγχειριδίου αναγράφονται οι σχετικές διευθύνσεις.

### 1.5 Χρήση για την οποία προορίζεται

Το προσάρτημα ντους και τουαλέτας είναι σχεδιασμένο αποκλειστικά ως βοήθημα ντους ή μπάνιου, χρήσης της τουαλέτας, για χρήση στην προσωπική υγιεινή (π.χ. μπροστά από το νιπτήρα) ή για τη μεταφορά ασθενών σε εσωτερικούς χώρους. Προορίζεται για χρήση από νέους ή ενήλικες ασθενείς με ή χωρίς τη βοήθεια φροντιστή, οι οποίοι:

- Αντιμετωπίζουν δυσκολία στάσης ή διατήρησης της ισορροπίας τους
- Έχουν ασθενή πόδια ή αναπηρία κάτω άκρων
- Πάσχουν από ιατρικές παθήσεις που επηρεάζουν την ισορροπία τους

Το προϊόν προορίζεται για χρήση σε νοσηλευτικά ιδρύματα και για κατ' οίκον νοσηλεία. Απαγορεύεται κάθε άλλη χρήση.



### **ΠΡΟΕΙΔΟΠΟΙΗΣΗ!**

#### **Κίνδυνος τραυματισμού**

- Ποτέ μην χρησιμοποιείτε το προϊόν ως βοήθημα για την είσοδο ή έξοδο από μπανιέρα, την ανάβαση ή κατάρβαση ή ως στήριγμα για παρόμοιους σκοπούς.
- Μην χρησιμοποιείτε το προϊόν σε εξωτερικούς χώρους.

Ως προσάρτημα τουαλέτας, το προϊόν μπορεί να χρησιμοποιηθεί επάνω από τυπική λεκάνη ή ανεξάρτητα με το ουροδοχείο (προαιρετικό).

Το προσάρτημα ντους και τουαλέτας μπορεί να χρησιμοποιηθεί μόνο ως σκαμνί για ντους σε πισίνα, εάν η πισίνα δεν περιέχει αλμυρό νερό και εφόσον παρίσταται φροντιστής πάντα.

Θερμοκρασία χρήσης: 10 - 65 °C

## **1.6 Διάρκεια λειτουργικής ζωής**

Η προσδοκώμενη διάρκεια λειτουργικής ζωής αυτού του προϊόντος είναι πέντε έτη λειτουργίας όταν χρησιμοποιείται καθημερινά και σύμφωνα με τις οδηγίες ασφαλείας, τα διαστήματα συντήρησης και με σωστό τρόπο, όπως αναφέρονται στο παρόν εγχειρίδιο. Η τελική διάρκεια λειτουργικής ζωής ενδέχεται να διαφέρει ανάλογα με τη συχνότητα και την ένταση της χρήσης.

## 2 Ασφάλεια

### 2.1 Πληροφορίες για την ασφάλεια



#### ΠΡΟΕΙΔΟΠΟΙΗΣΗ!

##### Κίνδυνος τραυματισμού ή βλάβης

- Μη χρησιμοποιείτε το παρόν προϊόν ή τυχόν διαθέσιμο προαιρετικό εξοπλισμό χωρίς να έχετε προηγουμένως διαβάσει και κατανοήσει πλήρως τις παρούσες οδηγίες και τυχόν επιπλέον ενημερωτικό υλικό, όπως εγχειρίδια χρήστη, εγχειρίδια τεχνικής υποστήριξης ή φύλλα οδηγιών που παρέχονται με το παρόν προϊόν ή με προαιρετικό εξοπλισμό.
- Εάν δεν μπορείτε να κατανοήσετε τις προειδοποιήσεις, τις επισημάνσεις προσοχής ή τις οδηγίες, επικοινωνήστε με έναν επαγγελματία στον τομέα υγειονομικής περίθαλψης, έναν προμηθευτή της Invascare ή πιστοποιημένο τεχνικό πριν επιχειρήσετε να χρησιμοποιήσετε τον εξοπλισμό.



#### ΠΡΟΕΙΔΟΠΟΙΗΣΗ!

##### Κίνδυνος τραυματισμού

- Μη στέκεστε επάνω στο προϊόν.
- Μη το χρησιμοποιείτε ως βοήθημα αναρρίχησης.
- Μη χρησιμοποιείτε σε εξωτερικό χώρο.



#### ΠΡΟΕΙΔΟΠΟΙΗΣΗ!

##### Κίνδυνος τραυματισμού

- Μη χρησιμοποιείτε εάν εμφανίζει ελαττώματα.
- Σε περίπτωση δυσλειτουργίας, επικοινωνήστε άμεσα με τον προμηθευτή.
- Μη εκτελείτε μη εξουσιοδοτημένες αλλαγές ή τροποποιήσεις στο προϊόν.
- Χρησιμοποιείτε μόνο με εξαρτήματα που προορίζονται για αυτό το προϊόν.



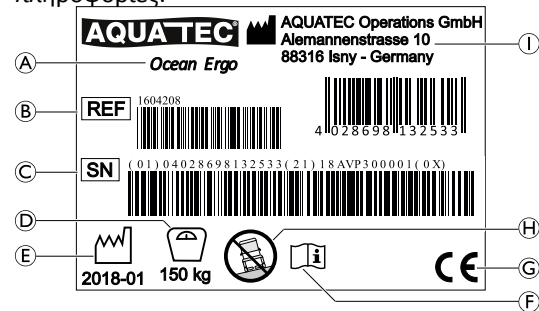
#### ΣΗΜΑΝΤΙΚΟ!

Οι πληροφορίες που περιλαμβάνονται σε αυτό το έγγραφο ενδέχεται να αλλάξουν χωρίς προειδοποίηση.

### 2.2 Ετικέτες και σύμβολα στο προϊόν

#### Ετικέτα προσδιορισμού στοιχείων


Η ετικέτα προσδιορισμού στοιχείων περιέχει σημαντικές πληροφορίες:



Α	Ονομασία προϊόντος
Β	Αριθμός αναφοράς
Γ	Σειριακός αριθμός
Δ	Μέγιστο βάρος χρήστη
Ε	Ημερομηνία κατασκευής
Φ	Διαβάστε το Εγχειρίδιο χρήσης
Γ	Σήμανση συμμόρφωσης
Η	Σημείωση (χρήση μόνο σε επίπεδες επιφάνειες)
Ι	Διεύθυνση κατασκευαστή

**i** Η ετικέτα προσδιορισμού στοιχείων είναι τοποθετημένη στο εσωτερικό του αριστερού πλευρικού μέρους.

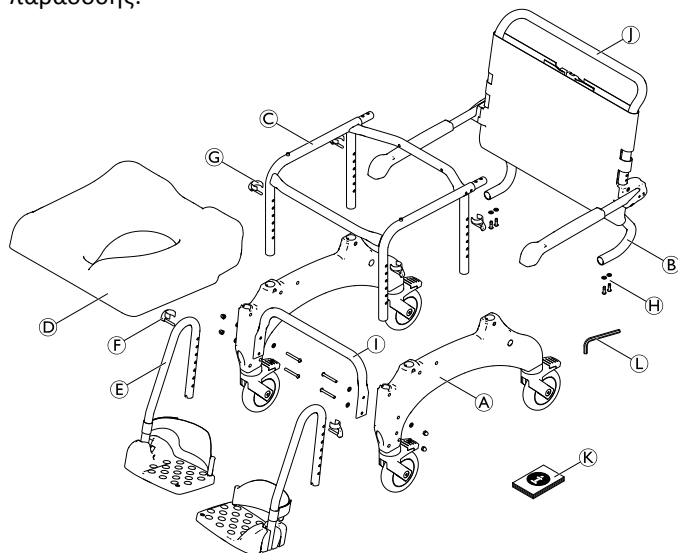
### Ετικέτες στο προϊόν

Η παρακάτω ετικέτα βρίσκεται στη λαβή της πλάτης:	
Ετικέτα	Περιγραφή
	<p><b>ΠΡΟΕΙΔΟΠΟΙΗΣΗ!</b></p> <p>Κίνδυνος ανατροπής</p> <ul style="list-style-type: none"> <li>– Μην πατάτε επάνω στο υποπόδιο κατά την είσοδο ή έξοδο από το προσάρτημα ντους και τουαλέτας.</li> <li>– Ωθήστε τα υποπόδια στο πλάι ή αναδιπλώστε τις βάσεις ποδιών προτού εισέλθετε στο ή εξέλθετε από το προσάρτημα ντους και τουαλέτας.</li> <li>– Προτού καθίσετε ή σηκωθείτε, γυρίστε τους τροχούς ώστε η ασφάλεια να είναι στραμμένη προς τα εμπρός.</li> <li>– Μην γέρνετε πολύ προς τα εμπρός κατά το κάθισμα στο προσάρτημα ντους και τουαλέτας.</li> </ul>

## 3 Εξαρτήματα

### 3.1 Επισκόπηση

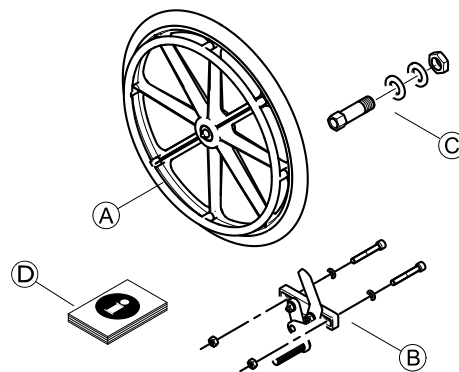
Τα ακόλουθα εξαρτήματα περιλαμβάνονται στο αντικείμενο παράδοσης:



Α	Πλευρικό μέρος με τροχούς (αριστερό και δεξί)
Β	Πλάτη με κάλυμμα πλάτης και υποβραχιόνια
Γ	Πλαίσιο καθίσματος
Δ	Κάθισμα

Ε	Υποπόδιο με ιμάντα πτέρνας (αριστερό και δεξί)
Φ	Κλιπ (2x) για το υποπόδιο (τοποθετημένα)
Γ	Κλιπ (4x) για το πλαίσιο καθίσματος
Η	Βίδες και παξιμάδια (4x)
Ι	Σωλήνας σταθεροποίησης βάσης με βίδες (4x), ροδέλες (8x) και παξιμάδια (4x) - Ocean XL μόνο
Ι	Ράβδος ώθησης
Κ	Εγχειρίδιο χρήσης
Λ	Κλειδί Allen AF 4

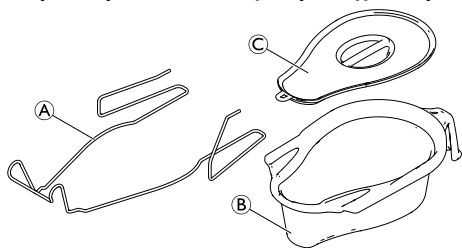
Τα ακόλουθα εξαρτήματα περιλαμβάνονται στο αντικείμενο παράδοσης των τροχών αυτόματης κίνησης με φρένο στάθμευσης:



Ⓐ	Τροχοί αυτόματης κίνησης (2x)
Ⓑ	Φρένα στάθμευσης (2x) με βίδες (4x), ροδέλες (4x) και παξιμάδια (4x)
Ⓒ	Πλήμνες με άξονες και ροδέλες και παξιμάδια (2x)
Ⓓ	Οδηγία συναρμολόγησης

**i** Σημειώστε την αλλαγή στις διαστάσεις όταν είναι τοποθετημένοι οι τροχοί αυτόματης κίνησης. Για λεπτομέρειες ανατρέξτε στο κεφάλαιο Τεχνικά στοιχεία.

#### Παρελκόμενο — Βάση ουροδοχείου με ουροδοχείο



Ⓐ	Βάση ουροδοχείου
Ⓑ	Ουροδοχείο
Ⓒ	Καπάκι



## 4 Διάταξη

### 4.1 Πληροφορίες για την ασφάλεια



#### ΠΡΟΕΙΔΟΠΟΙΗΣΗ!

- Ελέγξτε τα εξαρτήματα για ζημιές από τη μεταφορά πριν τη θέση σε λειτουργία και επικοινωνήστε με τον προμηθευτή, εφόσον απαιτείται.
- Βεβαιωθείτε κατά τη συναρμολόγηση ότι τα εξαρτήματα έχουν τοποθετηθεί σωστά μεταξύ τους.
- Σε πολλές συνδέσεις χρησιμοποιούνται αυτασφαλιζόμενες βίδες/παξιμάδια ή η κόλλα ασφάλισης σπειρωμάτων. Εάν χαλαρώσουν, πρέπει να αντικατασταθούν με νέες αυτασφαλιζόμενες βίδες/παξιμάδια ή πρέπει να στερεωθούν με νέα κόλλα ασφάλισης σπειρωμάτων.

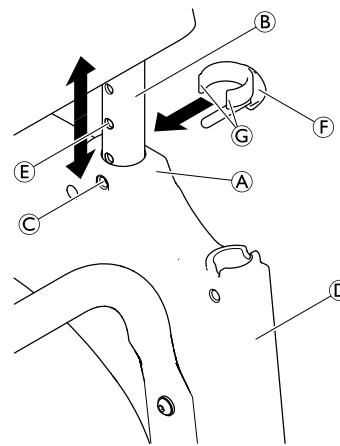
### 4.2 Συναρμολόγηση προσαρτήματος ντους και τουαλέτας

Αυτή η ενότητα περιγράφει τη συναρμολόγηση. Η αποσυναρμολόγηση εκτελείται με αντίστροφη σειρά.



Το ύψος υποβραχιόνιου, το ύψος υποπόδιου, η γωνία υποπόδιου, ο ιμάντας πτέρνας, η τάνυση του καλύμματος πλάτης και τα παρελκόμενα πρέπει να ρυθμιστούν βέλτιστα στο χρήστη.

#### 4.2.1 Εγκατάσταση του σωλήνα πλαισίου καθίσματος για τη ρύθμιση ύψους




1. Αφαιρέστε τα παρεχόμενα κλιπ ⑥ από στο σάκο.
2. Τοποθετήστε το πλαίσιο του καθίσματος στο πλάι.



#### ΣΗΜΑΝΤΙΚΟ

- Ωθήστε ομοιόμορφα το πλευρικό τμήμα μέσα στο πλαίσιο χωρίς να συστρέψετε.
  - Ασφαλίστε το πλευρικό μέρος στο ίδιο ύψος, στο εμπρός και πίσω μέρος.
3. Ωθήστε το πλευρικό μέρος ④ με τους οδηγούς για τα υποπόδια ③ προς τα εμπρός στο πλαίσιο καθίσματος ②.

 Βεβαιωθείτε ότι η ετικέτα προσδιορισμού στοιχείων είναι τοποθετημένη στο εσωτερικό του αριστερού πλευρικού μέρους.

Βεβαιωθείτε ότι ο προσανατολισμός του πλαισίου καθίσματος είναι σωστός (δείτε σχήμα στο κεφάλαιο 3.1).

4. Φέρτε τις στερεώσεις των κλιπ © στο εμπρός και πίσω τμήμα του πλευρικού μέρους, ευθυγραμμίζοντας με μια οπή στο πλαισιο καθίσματος ©.
5. Εισαγάγετε τα κλιπ © από το εξωτερικό μέρος στο πλευρικό τμήμα, μέχρι τα άκρα του κλιπ © να περιβάλλουν το σωλήνα του πλαισίου καθίσματος ©.

### ΣΗΜΑΝΤΙΚΟ

– Βεβαιωθείτε ότι το αριστερό και δεξί πλευρικό μέρος έχουν ρυθμιστεί στο ίδιο ύψος.

6. Γυρίστε το πλαισιο καθίσματος και επαναλάβετε τη διαδικασία στο δεύτερο πλευρικό μέρος.
7. Τοποθετήστε το πλαισιο καθίσματος με τα τοποθετημένα πλευρικά μέρη επάνω στους τροχούς του.

### Ρύθμιση του ύψους του καθίσματος



#### ΠΡΟΕΙΔΟΠΟΙΗΣΗ!

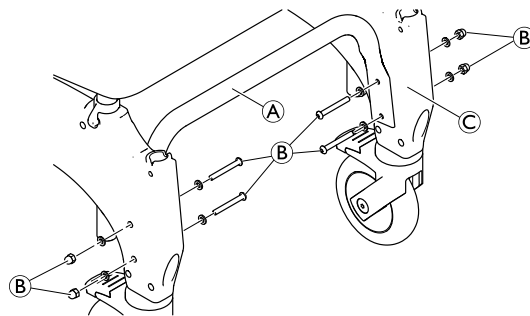
– Το ύψος του καθίσματος πρέπει να ρυθμιστεί στην ίδια ρύθμιση ύψους και στις δύο πλευρές.  
– Μην ρυθμίζετε το ύψος του καθίσματος όταν κάποιος κάθεται στο προσάρτημα ντους και τουαλέτας.

1. Ανυψώστε το προσάρτημα ντους και τουαλέτας ελαφρώς προς τη μία πλευρά από το πλαίσιο του καθίσματος ©.
2. Αφαιρέστε και τα δύο κλιπ © στο πλάι.
3. Τραβήξτε το πλαίσιο καθίσματος έξω από το πλευρικό μέρος © ή ωθήστε το στο πλευρικό μέρος για να προσαρμόσετε το ύψος του καθίσματος.
4. Ωθήστε και τα δύο κλιπ τελείως πίσω.
5. Επαναλάβετε τα βήματα 1-4 στην άλλη πλευρά.



Το ύψος του καθίσματος μπορεί να ρυθμιστεί για τις διάφορες περιστάσεις χρήσης, π.χ. μεταφορά από κλίνη ή αναπηρικό αμαξίδιο ή χρήση πάνω από τουαλέτα κ.λπ.

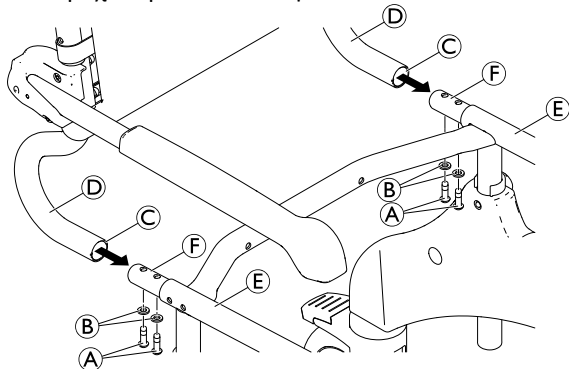
### Εγκατάσταση του σωλήνα σταθεροποίησης βάσης (για το Ocean Ergo XL μόνο)



1. Τοποθετήστε το σωλήνα σταθεροποίησης βάσης **A** χρησιμοποιώντας τις βίδες και τα παξιμάδια **B** που παρέχονται μεταξύ των πλευρικών τμημάτων **C**. Βεβαιωθείτε ότι ο σωλήνας σταθεροποίησης είναι στραμμένος προς τα επάνω.
2. Σφίξτε τις βίδες με ροπή 5 Nm.

#### 4.2.2 Τοποθέτηση πλάτης

1. Ωθήστε προς τα κάτω και τα τέσσερα πεντάλ ποδιού των τροχών για να τα ασφαλίσετε.



2. Ωθήστε την πλάτη **D** από το πίσω μέρος επάνω στο πλαίσιο καθίσματος **E**, μέχρι το κολάρο **C** να αγγίξει το σωλήνα πλαισίου του καθίσματος **F**.

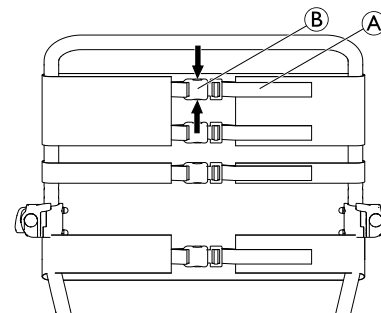
#### ! ΣΗΜΑΝΤΙΚΟ!

- Σφίξτε σταθερά τις βίδες χρησιμοποιώντας το παρεχόμενο κλειδί Allen.
- Ελέγχετε τις βίδες τακτικά για να διασφαλίσετε τη σταθερή στερέωσή τους.

3. Τοποθετήστε μια ροδέλα **B** σε κάθε βίδα **A** και ασφαλίστε την πλάτη σε κάθε πλευρά.
4. Σφίξτε τις βίδες με ροπή 5 Nm.

#### Ρύθμιση καλύμματος πλάτης

Η ένταση της πλάτης μπορεί να ρυθμιστεί όπως απαιτείται.



#### ΠΡΟΕΙΔΟΠΟΙΗΣΗ!

– Διασφαλίστε ότι τουλάχιστον τρεις μάντες διέρχονται πάντα γύρω από το πλαίσιο πλάτης (στην εξωτερική πλευρά) και οι αγκράφες τους είναι συνδεδεμένες.

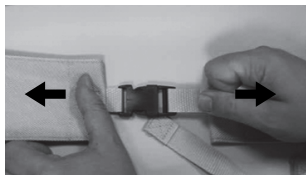
Σύσφιξη:

1. Τραβήξτε τους μάντες **A** του καλύμματος πλάτης πιο σφιχτά.

Χαλάρωση:

1. Ανοίξτε τις αγκράφες **B** πιέζοντας τις γλωττίδες συγκράτησης μεταξύ τους (βέλη).
2. Ωθήστε τους μάντες λίγο προς τα πίσω μέσω της αγκράφας.

3. Συνδέστε τις αγκράφες των ιμάντων.
4. Συσφίγξτε προσεκτικά τους ιμάντες.



#### ΠΡΟΕΙΔΟΠΟΙΗΣΗ!

**Κίνδυνος τραυματισμού λόγω φθαρμένων αγκραφών ιμάντα!**

Ελέγξτε την ασφαλή σύνδεση των αγκραφών πλάτης κάθε φορά που συντηρείτε ή αποκαθιστάτε το προϊόν.

- Ελέγξτε όλα τα κλιπ των αγκραφών για την ασφαλή τους σύνδεση, κλείνοντας τις αγκράφες και τραβώντας και τα δύο άκρα.
- Αντικαταστήστε την πλάτη/αγκράφες πλάτης εάν κάποια αγκράφα ανοίγει με την εφαρμογή δύναμης.

#### 4.2.3 Τοποθέτηση/αφαίρεση της πλάκας καθίσματος

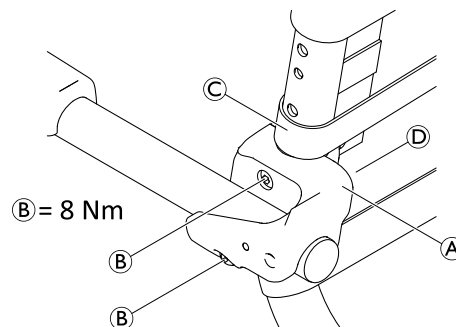
##### Τοποθέτηση:

1. Τοποθετήστε την πλάκα καθίσματος στο πλαίσιο καθίσματος με την εγκοπή στο μπροστινό μέρος.
2. Με επίπεδο χέρι, πιέστε την πλάκα καθίσματος στις πλευρές και στη συνέχεια στο εμπρός και πίσω μέρος μέχρι η πλάκα καθίσματος να ασφαλίσει στο πλαίσιο καθίσματος.

##### Αφαίρεση:

1. Τραβήξτε την πλάκα καθίσματος προς τα επάνω από το πίσω μέρος.

#### 4.2.4 Ρύθμιση του ύψους των υποβραχιόνιων



1. Στο κάλυμμα πλάτης, ανοίξτε την τρίτη αγκράφα του ιμάντα και χαλαρώστε τους άλλους ιμάντες.




Τα παξιμάδια έχουν τοποθετηθεί χαλαρά στο σφιγκτήρα ασφάλισης και μπορεί να πέσουν.

2. Ξεβιδώστε τις βίδες B του βραχίονα στήριξης του υποβραχιόνιου A με το παρεχόμενο κλειδί Allen.
3. Αφαιρέστε το σφιγκτήρα στερέωσης Δ με τα παξιμάδια από το εσωτερικό του πλαισίου πλάτης.
4. Αφαιρέστε το βραχίονα στερέωσης της πλάτης A με το υποβραχιόνιο και μετακινήστε τα προς τα επάνω.

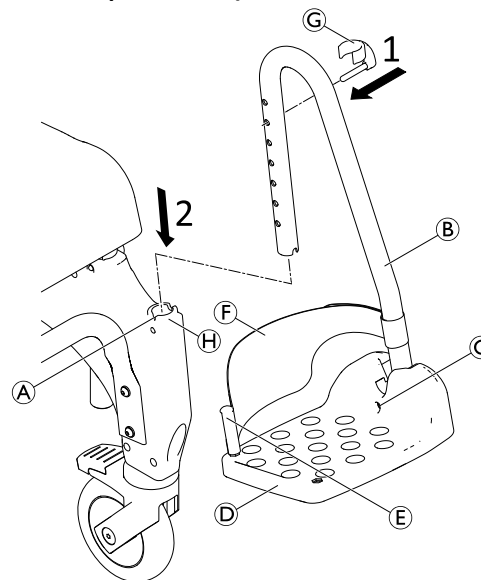


Η μικρότερη οπή χρησιμοποιείται για τη στερέωση του σφιγκτήρα ασφάλισης.


5. Τοποθετήστε τις βίδες στο βραχίονα του υποβραχιόνιου και οδηγήστε τις στις οπές στο πλαίσιο πλάτης.
6. Εάν απαιτείται, τοποθετήστε τα παξιμάδια ξανά στο σφιγκτήρα στερέωσης.
7. Τοποθετήστε το σφιγκτήρα στερέωσης στο πλαίσιο πλάτης εισαγάγοντας τον πείρο στερέωσης στη μικρότερη οπή.
8. Γυρίστε τις βίδες στα παξιμάδια και σφίξτε.
9. Μετακινήστε κάλυμμα πλάτης ώστε ο τρίτος μάντας να περνά επάνω από ή κάτω από το υποβραχίονιο.
10. Περάστε τον τρίτο μάντα του καλύμματος πλάτης στο εξωτερικό του πλαισίου πλάτης, κλείστε και σφίξτε όλους τους μάντες.
11. Η διαδικασία ρύθμισης ύψους είναι ίδια για το δεξιό και αριστερό υποβραχίονιο

 Για τη σύνδεση παρελκομένων, ο τρίτος μάντας από επάνω μπορεί να ανοίξει και το κάλυμμα πλάτης μπορεί να περάσει από το πλαίσιο πλάτης στο εσωτερικό.

#### 4.2.5 Εγκατάσταση υποποδίων



1. Εισαγάγετε τον πείρο του κλιπ Z από το εξωτερικό μέρος στην απαιτούμενη οπή του υποποδίου **Β**. Βεβαιωθείτε ότι το κλιπ εμπλέκεται γύρω από το σωλήνα.
2. Ωθήστε το υποπόδιο στον οδηγό **Η** στο εμπρός τμήμα του πλευρικού μέρους μέχρι ο πείρος του κλιπ Z να ασφαλίσει στην αύλακα **Α**. Το υποπόδιο δεν μπορεί πλέον να στραφεί στο πλάι.

 Η διαδικασία συναρμολόγησης είναι ίδια για το δεξιό και αριστερό υποπόδιο.

## Ρύθμιση του ύψους των υποποδίων

**i** Το μήκος των υποποδίων μπορεί να μειωθεί, εάν απαιτείται (ανατρέξτε στο εγχειρίδιο τεχνικής συντήρησης). Η μείωση του μήκους των υποποδίων πρέπει να εκτελείται από εξειδικευμένο τεχνικό.

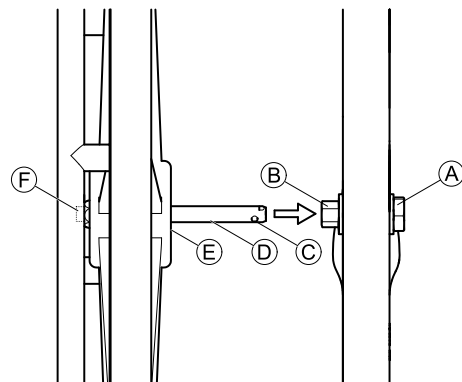
1. Τραβήξτε ελαφρώς προς τα επάνω το υποπόδιο **ⓑ**.
2. Τραβήξτε το κλιπ **Z** έξω από την οπή στο υποπόδιο και επανατοποθετήστε το στην απαιτούμενη οπή. Τραβήξτε ελαφρώς προς τα έξω το υποπόδιο ξανά, εάν είναι απαραίτητο.
3. Ωθήστε το υποπόδιο προς τα κάτω, μέχρι η αύλακα **Ⓐ** να παγιδεύσει τον πείρο του κλιπ.
4. Ρυθμίστε το άλλο υποπόδιο στο απαιτούμενο ύψος, όπως περιγράφηκε.

## Ρύθμιση της κλίσης των πλακών ποδιών

**i** Η κλίση των πλακών ποδιών μπορεί να ρυθμιστεί απεριόριστα.

1. Χαλαρώστε τη βίδα Allen **Γ** στην πλάκα ποδιού με κλειδί Allen μεγέθους 4.
2. Γυρίστε την πλάκα ποδιού **Δ** στην απαιτούμενη θέση.
3. Σφίξτε ξανά τη βίδα Allen.

## 4.2.6 Τοποθέτηση εξαγωγή τροχών αυτόματης κίνησης (προαιρετικό)



### ! ΣΗΜΑΝΤΙΚΟ!

- Όταν είναι τοποθετημένοι οι τροχοί αυτόματης κίνησης, οι πίσω τροχοί πρέπει να παραμένουν ασφαλισμένοι.
- Οι πλήμνες και τα φρένα στάθμευσης για τους τροχούς αυτόματης κίνησης πρέπει να τοποθετούνται από εξειδικευμένο τεχνικό. Η συναρμολόγηση περιγράφεται στις οδηγίες συναρμολόγησης "Συναρμολόγηση πλημνών και φρένων για τους τροχούς 24" του Aquatec® Ocean".

1. Ευθυγραμμίστε και τους τέσσερις τροχούς στην κατεύθυνση οδήγησης.
2. Ασφαλίστε όλους τους τροχούς.

3. Ωθήστε τον άξονα  $\Delta$  στους τροχούς αυτόματης κίνησης προς τα μέσα. (Οι ζάντες χειρός εξέχουν προς τα έξω.)
4. Κρατήστε πατημένο το κουμπί  $\Sigma$  στο εξωτερικό του άξονα. Αυτό απελευθερώνει τις σφαίρες συγκράτησης  $\Gamma$  στο άκρο του άξονα.
5. Ανυψώστε ελαφρά το προσάρτημα ντους και τουαλέτας.
6. Εισαγάγετε τον άξονα στην πλήμνη  $\textcircled{B}$  και ωθήστε τον τροχό αυτόματης κίνησης στον άξονα μέχρι το τέλος της διαδρομής  $\textcircled{E}$ .
7. Απελευθερώστε το κουμπί  $\Sigma\Gamma$ .
8. Ελέγξτε ότι οι σφαίρες συγκράτησης βρίσκονται πίσω από το εξάγωνο παξιμάδι  $\textcircled{A}$ .
9. Η συναρμολόγηση είναι ίδια για το δεξιό και αριστερό τροχό αυτόματης κίνησης.

Για να αφαιρέσετε τους τροχούς, εκτελέστε την ίδια διαδικασία με αντίστροφη σειρά.

## 5 Παρελκόμενο (προαιρετικό)

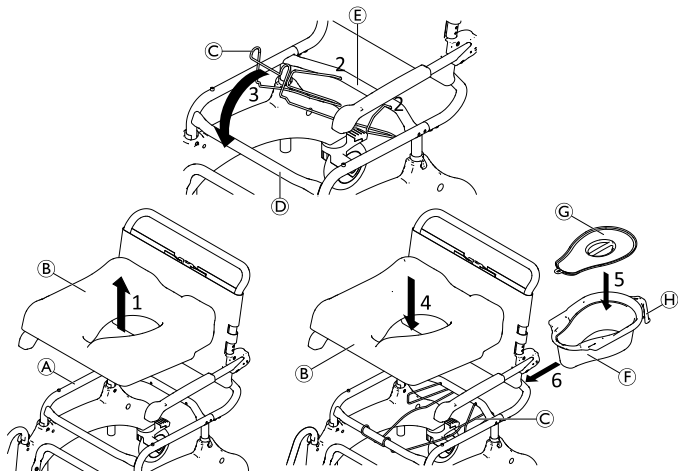


### ΠΡΟΕΙΔΟΠΟΙΗΣΗ!

#### Κίνδυνος τραυματισμού

– Η συναρμολόγηση των παρελκομένων (προαιρετικά) πρέπει να εκτελείται σύμφωνα με τις αντίστοιχες οδηγίες.

### 5.1 Τοποθέτηση/εξαγωγή βάσης ουροδοχείου και ουροδοχείου



Το ουροδοχείο ΣΤ μπορεί να τοποθετηθεί/αφαιρεθεί με ή χωρίς το καπάκι ©.

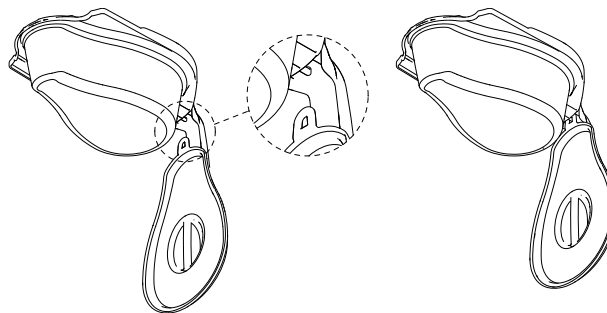
1. Αφαιρέστε το κάθισμα ② από το πλαίσιο ①.
2. Τοποθετήστε τα άκρα της βάσης ουροδοχείου Γ στις οπές του πίσω εγκάρσιου σωλήνα ⑤.
3. Εμπλέξτε το εμπρός μέρος της βάσης του ουροδοχείου με τον εμπρός εγκάρσιο σωλήνα Δ.
4. Επανατοποθετήστε το κάθισμα στο πλαίσιο.
5. Τοποθετήστε ή αφαιρέστε το κάλυμμα του ουροδοχείου.
6. Κρατήστε το ουροδοχείο από τη λαβή του ④ και εισαγάγετε από την πίσω πλευρά μεταξύ της βάσης του ουροδοχείου και του καθίσματος.



Πιέστε ελαφρά προς τα κάτω το ουροδοχείο κατά την εισαγωγή ή αφαίρεση.



Το κάλυμμα μπορεί να αναρτηθεί στον πλαστικό γάντζο στην κάτω πλευρά της λαβής του ουροδοχείου.



Υπάρχει μια ένδειξη στάθμης πλήρωσης στο εσωτερικό τοίχωμα του ουροδοχείου.



2.5 l	<input type="checkbox"/>	
2.25 l	<input type="checkbox"/>	
2 l	<input type="checkbox"/>	<input type="checkbox"/>
1.75 l	<input type="checkbox"/>	<input type="checkbox"/>
1.5 l	<input type="checkbox"/>	
1.25 l	<input type="checkbox"/>	
1 l	<input type="checkbox"/>	<input type="checkbox"/>
0.75 l	<input type="checkbox"/>	
0.5 l	<input type="checkbox"/>	
0.25 l	<input type="checkbox"/>	

## 6 Χρήση

### 6.1 Πληροφορίες για την ασφάλεια



#### **ΠΡΟΕΙΔΟΠΟΙΗΣΗ!**

- Χρησιμοποιείτε το προσάρτημα ντους και τουαλέτας μόνο σε επίπεδη επιφάνεια και σε εσωτερικούς χώρους.
- Τηρείτε τις προδιαγραφές στην ετικέτα προσδιορισμού. Μην υπερφορτώνετε το προσάρτημα ντους και τουαλέτας.
- Τηρείτε την ετικέτα ασφάλειας στη λαβή της πλάτης, *2.2 Ετικέτες και σύμβολα στο προϊόν, σελίδα 213*
- Μην εφαρμόζετε υπερβολικό βάρος στο προσάρτημα ντους και τουαλέτας.
- Εκτελείτε πάντα οπτική επιθεώρηση του προϊόντος για εξωτερική φθορά πριν από κάθε χρήση.
- Ελέγχετε τακτικά τη λειτουργία του φρένου στάθμευσης (μόνο για την επιλογή με τροχούς αυτόματης κίνησης).



#### **ΠΡΟΕΙΔΟΠΟΙΗΣΗ!**

##### **Κίνδυνος ολίσθησης και κύλισης**

- Πριν τη χρήση, βεβαιωθείτε ότι το κάθισμα είναι σταθερά στερεωμένο στο πλαίσιο καθίσματος.
- Ασφαλίστε όλους τους τροχούς με μοχλούς, χρησιμοποιώντας το μοχλό ποδιού πριν καθίσετε στο προσάρτημα του ντους και τουαλέτας ή προτού σηκωθείτε από αυτά, καθώς και στη θέση στάθμευσης.
- Εφαρμόστε το φρένο στάθμευσης όταν είναι τοποθετημένοι οι τροχοί αυτόματης κίνησης (προαιρετικό).



#### **ΠΡΟΕΙΔΟΠΟΙΗΣΗ!**

##### **Κίνδυνος ανατροπής**

- Περιστρέψτε τα υποπόδια στο πλάι ή αναδιπλώστε τις βάσεις ποδιών προτού καθίσετε ή σηκωθείτε.
- Προτού καθίσετε ή σηκωθείτε, γυρίστε τους εμπρός τροχούς ώστε η ασφάλεια να είναι στραμμένη προς τα εμπρός.
- Ποτέ μην στέκεστε στα υποπόδια.
- Μην γέρνετε υπερβολικά προς τα εμπρός.



#### **ΠΡΟΕΙΔΟΠΟΙΗΣΗ!**

##### **Κίνδυνος ανατροπής**

- Το προσάρτημα ντους και τουαλέτας πρέπει να μετακινούνται μόνο με τη ράβδο ώθησης ή τους αυτοκινούμενους τροχούς (προαιρετικό).

**ΠΡΟΣΟΧΗ!****Κίνδυνος εγκαυμάτων στο δέρμα**

Τα εξαρτήματα του προϊόντος ενδέχεται να θερμανθούν, εάν εκτεθούν σε εξωτερικές πηγές θερμότητας.

- Λάβετε υπόψη τις θερμαινόμενες επιφάνειες κατά τη χρήση του προσαρτήματος ντους και τουαλέτας σε σάουνα ή όταν εκτίθεται σε καυτό νερό.
- Μην εκθέτετε το προϊόν σε άμεση ηλιακή ακτινοβολία πριν τη χρήση.

**ΠΡΟΣΟΧΗ!****Κίνδυνος παγίδευσης ή σύνθλιψης**

Ενδέχεται να υπάρχει πολύ μικρό κενό μεταξύ του πίσω τροχού και του φρένου στάθμευσης που ενέχει κίνδυνο παγίδευσης των δακτύλων.

- Κρατήστε τα δάκτυλα μακριά από τα κινούμενα μέρη. Κατά τη χρήση του φρένου, κρατάτε πάντα το χέρι σας στο μοχλό φρένου.

**ΠΡΟΣΟΧΗ!****Κίνδυνος παγίδευσης**

- Κατά τη χρήση των αυτοκινούμενων τροχών (προαιρετικό), μην εισαγάγετε τα δάκτυλά σας μεταξύ των ακτινών ή ανάμεσα στους αυτοκινούμενους τροχούς και το πλαίσιο του καθίσματος ενώ βρίσκεται σε κίνηση.

**ΣΗΜΑΝΤΙΚΟ!****Κίνδυνος βλάβης του προϊόντος**

- Μην ανυψώνετε το προσάρτημα ντους και τουαλέτας χρησιμοποιώντας τα υποπόδια, υποβραχιόνια ή άλλα παρελκόμενα.

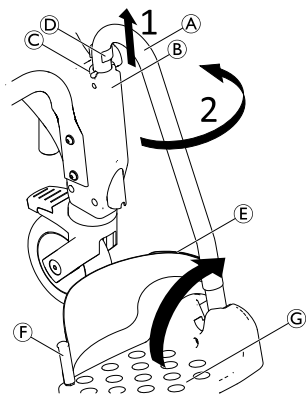


Για χρήστες με υψηλό κίνδυνο να σταθούν στα υποπόδια (π.χ. άνοια), διατίθενται προστατευτικά από πρόσθια ανατροπή (κωδ. εξαρτήματος AP1601986) ως παρελκόμενα για την αποτροπή της πρόσθιας ανατροπής του προσαρτήματος ντους και τουαλέτας.

**6.2 Περιστροφή υποβραχιόνιων****ΠΡΟΣΟΧΗ!****Κίνδυνος παγίδευσης των δακτύλων στο μηχανισμό αναδίπλωσης**

- Μην εισαγάγετε τα δάκτυλά σας στον αρθρωτό σύνδεσμο κατά την αναδίπλωση ή ανάπτυξη των υποβραχιόνιων.
- Μην εισαγάγετε τα δάκτυλά σας μεταξύ του υποβραχιόνιου και της πλάτης κατά την αναδίπλωση των υποβραχιόνιων.
- Βεβαιωθείτε ότι δεν παγιδεύονται τμήματα στις αρθρώσεις.

### 6.3 Περιστροφή υποποδίων



#### Θέση εισόδου/θέση εξόδου:

1. Τραβήξτε ελαφρώς προς τα επάνω το υποπόδιο **A** στον οδηγό **B** μέχρι ο πείρος του κλιπ **D** να μην εμπλέκεται πλέον στην αύλακα **C**.
2. Περιστρέψτε το υποπόδιο στο πλάι.

#### Θέση οδήγησης:



#### **ΠΡΟΣΟΧΗ!**

**Κίνδυνος ατυχήματος λόγω χαλαρού υποποδίου**  
– Στερεώστε τα υποπόδια στη θέση οδήγησης.

1. Γυρίστε το υποπόδιο **A** προς τα μέσα.
2. Ωθήστε το υποπόδιο προς τα κάτω, μέχρι ο πείρος του κλιπ **D** να εμπλακεί στην αύλακα **C**.



Εναλλακτικά, μπορείτε να περιστρέψετε τις πλάκες ποδιών **G** προς τα επάνω για την είσοδο/έξοδο στο προσάρτημα ντους και τουαλέτας.

#### Εξαγωγή/τοποθέτηση μάντα πτέρνας

1. Ανοίξτε το άγκιστρο και περάστε τη λωρίδα **E** στον μάντα πτέρνας.
2. Αφαιρέστε τη βίδα **F** από την κάτω πλευρά της πλάκας ποδιών.
3. Αφαιρέστε τον μάντα πτέρνας από τον εύκαμπτο πλαστικό πείρο.



Για τη σύνδεση του μάντα, εκτελέστε την ίδια διαδικασία με αντίστροφη σειρά.



Κατά την εγκατάσταση βεβαιωθείτε ότι ο βρόγχος και η ταινία στον μάντα πτέρνας είναι στραμμένα προς τα πίσω.

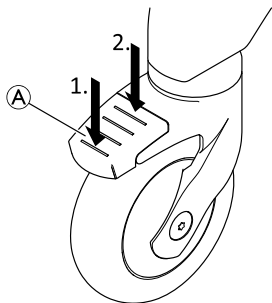
### 6.4 Ασφάλιση/απασφάλιση ασφαλειών τροχών



#### **ΠΡΟΣΟΧΗ!**

#### **Κίνδυνος παγίδευσης/συμπίεσης**

Όλες οι ασφάλειες τροχών ελέγχονται με το πόδι.  
– Μην χειρίζεστε τις ασφάλειες τροχών με το χέρι.



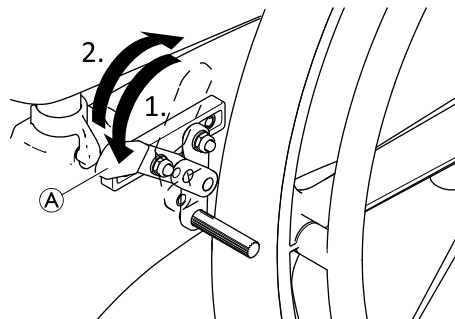
1. Για να ασφαλίσετε τις ασφάλειες τροχών πατήστε στο πίσω άκρο του πεντάλ **A** μέχρι να ασφαλίσει.
2. Για να απασφαλίσετε τις ασφάλειες τροχών πατήστε στο εμπρός άκρο του πεντάλ μέχρι να απασφαλίσει.



Ο τροχός με μπλε μοχλό (προαιρετικό) χρησιμοποιείται για την εμπλοκή της ασφάλειας κατεύθυνσης για ευκολότερη κίνηση σε ευθεία.

## 6.5 Ασφάλιση/απασφάλιση φρένων στάθμευσης

Τα φρένα στάθμευσης χρησιμοποιούνται για την ακινητοποίηση των παρελκομένων ντους και τουαλέτας με τροχούς 24" για την αποτροπή της κύλισής του όταν είναι σταματημένο.



1. Για να εμπλέξετε το φρένο στάθμευσης, ωθήστε το μοχλό φρένου **A** προς τα εμπρός όσο το δυνατό πιο μακριά.
2. Για να απεμπλέξετε το φρένο στάθμευσης, τραβήξτε το μοχλό φρένου προς τα πίσω.

## 7 Μεταφορά

### 7.1 Πληροφορίες για την ασφάλεια



Το προϊόν μπορεί να αποσυναρμολογηθεί για μεταφορά στα εξαρτήματα του καταλόγου παράδοσης, ανατρέξτε στο κεφάλαιο 3 *Εξαρτήματα*, σελίδα 215

1. Αποσυναρμολόγηση προϊόντος: Ανατρέξτε στο κεφάλαιο 4 *Διάταξη*, σελίδα 217 ακολουθώντας τα βήματα συναρμολόγησης με αντίστροφη σειρά.



#### **ΣΗΜΑΝΤΙΚΟ!**

##### **Κίνδυνος βλάβης του προϊόντος**

- Μεταφέρετε το προϊόν σε στεγνό χώρο.
- Μην εκθέτετε το προϊόν σε άμεση ηλιακή ακτινοβολία.
- Ανατρέξτε στις συνθήκες αποθήκευσης και μεταφοράς στο κεφάλαιο 11.3 *Περιβαλλοντικές παράμετροι*, σελίδα 237.



#### **ΣΗΜΑΝΤΙΚΟ!**

- Σε πολλές συνδέσεις χρησιμοποιούνται αυτασφαλιζόμενες βίδες/παξιμάδια ή η κόλλα ασφάλισης σπειρωμάτων. Εάν χαλαρώσουν, πρέπει να αντικατασταθούν με νέες αυτασφαλιζόμενες βίδες/παξιμάδια ή πρέπει να στερεωθούν με νέα κόλλα ασφάλισης σπειρωμάτων.

## 8 ΣΥΝΤΗΡΗΣΗ

### 8.1 Συντήρηση και επιθεώρηση

Αυτό το προϊόν δεν απαιτεί συντήρηση, εφόσον τηρούνται οι οδηγίες καθαρισμού και ασφάλειας που ορίζονται κατωτέρω.

Για να διασφαλιστεί η ορθή απόδοση και ασφάλεια, οι παρακάτω έλεγχοι πρέπει να εκτελούνται συστηματικά:

- Ελέγχετε τακτικά το προϊόν και τα παρελκόμενα για φθορές. Μην χρησιμοποιείτε το προϊόν εάν εμφανίζει ελαττώματα.
- Σε περίπτωση βλάβης ή δυσλειτουργίας, συστήνεται να επικοινωνήσετε με τον προμηθευτή.
- Βεβαιωθείτε ότι το προϊόν είναι ασφαλώς συναρμολογημένο και ότι όλες οι βίδες είναι κατάλληλα σφιγμένες.



#### **ΠΡΟΕΙΔΟΠΟΙΗΣΗ!**

##### **Κίνδυνος τραυματισμού και ζημιάς**

Εάν το προϊόν δεν ρυθμιστεί κατάλληλα μπορεί να προκαλέσει ατυχήματα και σοβαρό τραυματισμό.

- Το προϊόν πρέπει να επισκευάζεται από εξειδικευμένο τεχνικό.
- Το ζημιωμένα εξαρτήματα πρέπει να αντικαθίστανται από εξειδικευμένο τεχνικό.
- Χρησιμοποιείτε μόνο γνήσια ανταλλακτικά Invacare.

### 8.2 Καθαρισμός και απολύμανση

Το προϊόν μπορεί να καθαριστεί και να απολυμανθεί με καθαριστικά διαθέσιμα στο εμπόριο.



#### **ΣΗΜΑΝΤΙΚΟ!**

- Στην ευαίσθητη περιοχή του μπάνιου και της τουαλέτας, η υγιεινή είναι ιδιαίτερα σημαντική.
- Διατηρείτε πάντα το προϊόν καθαρό και σκουπίζετέ το τακτικά.
  - Απολυμαίνετε τακτικά το προϊόν.

1. Απολυμάνετε το προϊόν σκουπίζοντας όλες τις προσβάσιμες επιφάνειες με απολυμαντικό (μετά την αποσυναρμολόγηση του προϊόντος, εάν είναι δυνατό).



#### **ΣΗΜΑΝΤΙΚΟ!**

- Όλα τα καθαριστικά και απολυμαντικά που χρησιμοποιούνται πρέπει να είναι αποτελεσματικά, συμβατά μεταξύ τους και πρέπει να προστατεύουν τα υλικά για τα οποία χρησιμοποιούνται. Για περισσότερες πληροφορίες σχετικά με την απολύμανση σε Περιβάλλον υγειονομικής περιθαλψής, ανατρέξτε στις οδηγίες του "The National Institute for Clinical Excellence" αναφορικά με τον Έλεγχο μολύνσεων στη διεύθυνση [www.nice.org.uk/CG139](http://www.nice.org.uk/CG139) και την τοπική πολιτική ελέγχου μολύνσεων.
- Καθαρίστε με το χέρι ή σε πλυντήριο ή αυτόκλειστο.
  - Καθαρίστε χωρίς απορρυπαντικό.

## Καθαρισμός σε οικιακό περιβάλλον

1. Αφαιρέστε τυχόν τοποθετημένα παρελκόμενα (μόνο τα παρελκόμενα που δεν απαιτούν εργαλεία).
2. Τραβήξτε τα υποπόδια έξω από τους οδηγούς.
3. Αφαιρέστε τη βάση καθίσματος και το κάλυμμα πλάτης.
4. Σκουπίστε τα μεμονωμένα μέρη με πανί ή βούρτσα και απορρυπαντικά και απολυμαντικά του εμπορίου.
5. Ξεπλύνετε τα μέρη με ζεστό νερό.
6. Στεγνώστε τα μέρη με πανί.
7. Επανασυναρμολογήστε το προϊόν, ανατρέξτε στο κεφάλαιο 4 Συναρμολόγηση.

## Καθαρισμός σε κλινικό περιβάλλον



Επιπρόσθετα του καθαρισμού που περιγράφηκε παραπάνω, συστήνεται ο καθαρισμός του προϊόντος πριν τη χρήση από άλλο ασθενή, μετά το τέλος του διαστήματος χρήσης ή σε τακτική βάση (ανάλογα με το ποιο προκύπτει πρώτο) στους

- 90 °C για 1 λεπτό
- 85 °C για 3 λεπτά
- 80 °C για 10 λεπτά

σε κλίβανο αποστείρωσης.



### ΠΡΟΣΟΧΗ!

#### Κίνδυνος εγκαυμάτων στο δέρμα

– Αφήστε το προϊόν να κρυώσει μετά τον καθαρισμό σε πλυντήριο ή κλίβανο αποστείρωσης.

## Καθαρισμός καλύμματος πλάτης (προαιρετικό)

1. Αφαιρέστε το κάλυμμα πλάτης.
2. Πλύνετε σε πλυντήριο το κάλυμμα σε μέγιστη θερμοκρασία 60 °C με ήπιο απορρυπαντικό.



### ΣΗΜΑΝΤΙΚΟ!

#### Κίνδυνος βλάβης

- Η πλύση σε υψηλότερες θερμοκρασίες μπορεί να προκαλέσει βλάβη.
- Μην στεγνώνετε σε στεγνωτήριο.



### ΣΗΜΑΝΤΙΚΟ!

Ο υπερβολικός καθαρισμός μπορεί να προκαλέσει ζημιά στο ύφασμα.

- Συστήνεται η αντικατάσταση του καλύμματος πλάτης κάθε δύο έτη για λόγους υγιεινής.

## Καθαρισμός ουροδοχείου (προαιρετικό)

Το ουροδοχείο μπορεί να καθαριστεί σε κλίβανο αποστείρωσης στις παρακάτω θερμοκρασίες/χρόνους:

- 90 °C για 1 λεπτό
- 85 °C για 3 λεπτά
- 80 °C για 10 λεπτά.



---

## 9 μετά από χρήση

---

### 9.1 Αποθήκευση

**ΣΗΜΑΝΤΙΚΟ!****Κίνδυνος βλάβης του προϊόντος**

- Αποθηκεύστε το προϊόν σε στεγνό χώρο.
- Μην αποθηκεύετε το προϊόν κοντά σε πηγές θερμότητας.
- Μην εκθέτετε το προϊόν σε άμεση ηλιακή ακτινοβολία.
- Ανατρέξτε στις συνθήκες αποθήκευσης και μεταφοράς στο κεφάλαιο *11.3 Περιβαλλοντικές παράμετροι, σελίδα 237*.

### 9.2 Επαναχρησιμοποίηση

Το προϊόν είναι κατάλληλο για επαναλαμβανόμενη χρήση. Ο αριθμός των επαναλήψεων χρήσης εξαρτάται από τη συχνότητα και τη μέθοδο χρήσης του προϊόντος. Πριν την εκ νέου χρήση, καθαρίστε και απολυμάνετε το προϊόν διεξοδικά (→ *8.2 Καθαρισμός και απολύμανση, σελίδα 231*) και ελέγξτε για ζημιές και ορθή συναρμολότητα.

### 9.3 Απόρριψη

Διασφαλίστε περιβαλλοντικά υπεύθυνη συμπεριφορά και ανακυκλώστε τα διάφορα υλικά και εξαρτήματα του παρόντος προϊόντος ξεχωριστά μέσω της μονάδας ανακύκλωσής σας στο τέλος της ζωής του προϊόντος.

Η απόρριψη και ανακύκλωση των μεταχειρισμένων προϊόντων και της συσκευασίας πρέπει να εκτελούνται σε συμμόρφωση με τους ισχύοντες τοπικούς νόμους

και κανονισμούς για τη διαχείριση απορριμμάτων κάθε χώρας. Επικοινωνήστε με την τοπική εταιρεία διαχείρισης απορριμμάτων για πληροφορίες.

## 10 Αντιμετώπιση προβλημάτων

### 10.1 Εντοπισμός και αποκατάσταση βλαβών

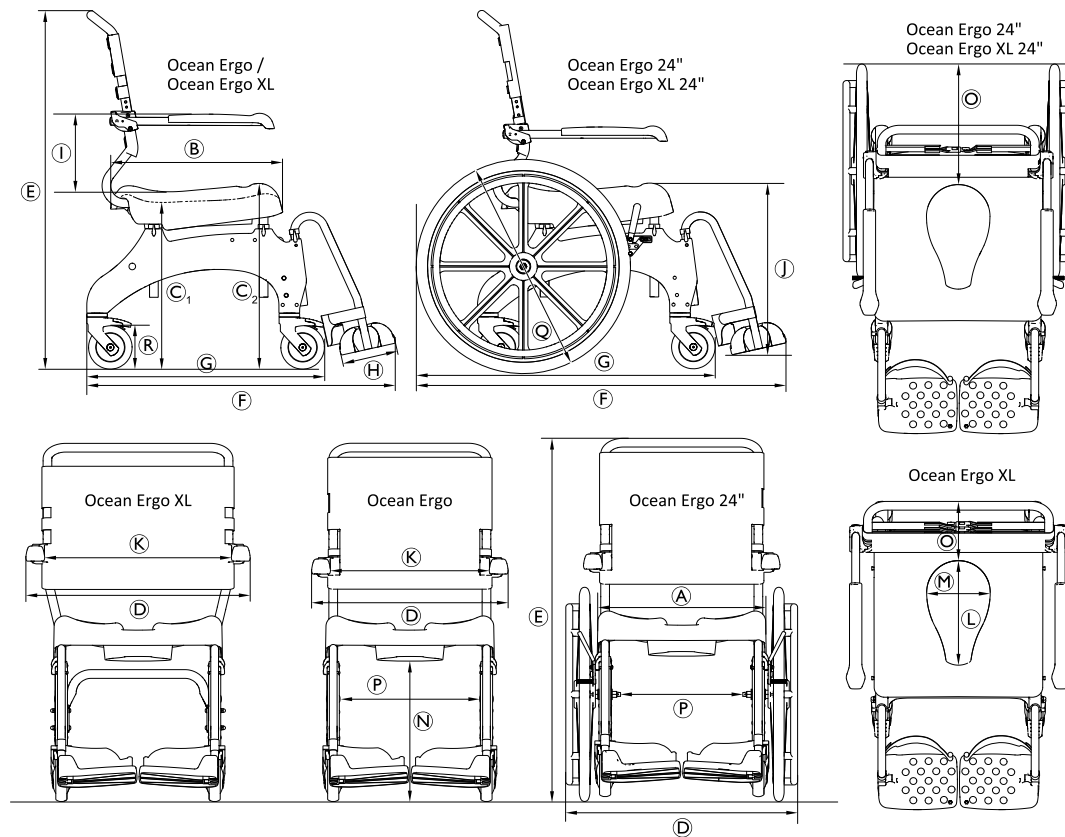


Ο παρακάτω πίνακας παρέχει πληροφορίες σχετικά με τις δυσλειτουργίες και τις πιθανές αιτίες τους. Εάν δεν μπορείτε να διορθώσετε τη λειτουργία με τις κατονομαζόμενες λύσεις, επικοινωνήστε άμεσα με τον προμηθευτή σας.

Βλάβη	Πιθανή αιτία	Λύση
Δυσκολία στη ρύθμιση του ύψους του καθίσματος	Ρύποι μεταξύ του πλαισίου καθίσματος και του πλευρικού μέρους	Αποσυναρμολογήστε το προϊόν στα εξαρτήματα του καταλόγου παράδοσης και καθαρίστε διεξοδικά.
Δύσκολη ή αδύνατη περιστροφή των τροχών	Ρύποι μεταξύ της περόνης και της ζάντας	Καθαρίστε διεξοδικά τους τροχούς
Δυσκολία ώθησης των υποποδίων στο πλάι	Επικαθίσεις στους οδηγούς	Καθαρίστε διεξοδικά τα υποπόδια και τους οδηγούς
Το φρένο στάθμευσης των τροχών αυτόματης κίνησης (προαιρετικό) δεν εμπλέκεται	Λανθασμένη ρύθμιση φρένου στάθμευσης	Το φρένο στάθμευσης πρέπει να ρυθμιστεί από εξειδικευμένο τεχνικό.

## 11 Τεχνικά Δεδομένα

### 11.1 Διαστάσεις και βάρος



	Ocean Ergo	Ocean Ergo XL	Ocean Ergo 24" τροχοί	Ocean Ergo XL 24" τροχοί
Ⓐ	480 mm			
Ⓑ	480 mm			
Ⓒ <sub>1</sub>	475 mm – 600 mm			
Ⓒ <sub>2</sub>	533 mm – 658 mm			
Ⓓ	565 mm	645 mm	670 mm	
Ⓔ	1020 mm – 1145 mm		1045 mm – 1170 mm	
Ⓕ	905 mm		1050 mm	
Ⓖ	700 mm		850 mm	
Ⓗ	160 mm			
Ⓛ	215 mm / 253 mm / 290 mm	253 mm / 290 mm	215 mm / 253 mm / 290 mm	253 mm / 290 mm
Ⓜ	295 mm – 570 mm			
Ⓝ	455 mm	535 mm	455 mm	535 mm
Ⓟ	350 mm (ορυφή) / 300 mm (βάση)			
Ⓠ	250 mm (ορυφή) / 182 mm (βάση)			
Ⓡ	400 mm – 525 mm			
Ⓢ	200 mm		355 mm	
Ⓣ	405 mm		360 mm	
Ⓤ	—		Æ 24" (610 mm)	
Ⓡ	Æ 5" (127 mm)			

	Ocean Ergo	Ocean Ergo XL	Ocean Ergo 24" τροχοί	Ocean Ergo XL 24" τροχοί
Διάμετρος στροφής	2100 mm		1940 mm	
Πλάτος οπισθοπορείας	1070 mm		1240 mm	
Βάρος προϊόντος	17 κιλά	18 κιλά	23 κιλά	24 κιλά
Μέγιστο βάρος χρήστη	150 κιλά	180 κιλά	150 κιλά	180 κιλά

## 11.2 Υλικά

Πλαίσιο	Ανοξείδωτος χάλυβας, με επίστρωση κόνεως
Βάση καθίσματος	Πολυπροπυλένιο, με ενίσχυση από υαλόνημα
Κάλυμμα πλάτης	Νάιλον, με επίστρωση PVC
Υποπόδια / πλευρικά τμήματα	Πολυπροπυλένιο, με ενίσχυση από υαλόνημα
Επιθέματα υποβραχιόνιων	Πολυπροπυλένιο
Τροχοί	Πλαστικά και ανοξείδωτος χάλυβας
Επιφάνεια κύλισης τροχών 24"	PUR

Όλα τα εξαρτήματα του προϊόντος είναι ανθεκτικά στη διάβρωση και δεν περιέχουν λάτεξ από φυσικό καουτσούκ.

## 11.3 Περιβαλλοντικές παράμετροι

Συνθήκες λειτουργίας	
Θερμοκρασία περιβάλλοντος	10 - 65 °C
Σχετική υγρασία	15 % - 93 %, χωρίς συμπύκνωση
Ατμοσφαιρική πίεση	795 - 1060 hPa
Συνθήκες αποθήκευσης και μεταφοράς	
Θερμοκρασία περιβάλλοντος	0 - 65 °C

Σχετική υγρασία	30 % - 75 %, χωρίς συμπύκνωση
Ατμοσφαιρική πίεση	795 - 1060 hPa



## Invacare distributors:

### Belgium & Luxemburg:

Invacare nv  
Autobaan 22  
B-8210 Loppem  
Tel: (32) (0)50 83 10 10  
Fax: (32) (0)50 83 10 11  
belgium@invacare.com  
www.invacare.be

### France:

Invacare Poirier SAS  
Route de St Roch  
F-37230 Fondettes  
Tel: (33) (0)2 47 62 64 66  
Fax: (33) (0)2 47 42 12 24  
contactfr@invacare.com  
www.invacare.fr

### Nederland:

Invacare BV  
Galvanistraat 14-3  
NL-6716 AE Ede  
Tel: (31) (0)318 695 757  
Fax: (31) (0)318 695 758  
nederland@invacare.com  
www.invacare.nl

### Schweiz / Suisse / Svizzera:

Invacare AG  
Benkenstrasse 260  
CH-4108 Witterswil  
Tel: (41) (0)61 487 70 80  
Fax: (41) (0)61 487 70 81  
switzerland@invacare.com  
www.invacare.ch

### Deutschland:

Invacare GmbH,  
Alemannenstraße 10  
D-88316 Isny  
Tel: (49) (0)7562 700 0  
Fax: (49) (0)7562 700 66  
kontakt@invacare.com  
www.invacare.de

### Ireland:

Invacare Ireland Ltd,  
Unit 5 Seatown Business Campus  
Seatown Road, Swords, County Dublin  
Tel : (353) 1 810 7084  
Fax: (353) 1 810 7085  
ireland@invacare.com  
www.invacare.ie

### Österreich:

Invacare Austria GmbH  
Herzog-Odilo-Straße 101  
A-5310 Mondsee-Tiefgrabern  
Tel: (43) 6232 5535 0  
Fax: (43) 6232 5535 4  
info-austria@invacare.com  
www.invacare.at

### United Kingdom:

Invacare Limited  
Pencoed Technology Park, Pencoed  
Bridgend CF35 5AQ  
Tel: (44) (0) 1656 776 222  
Fax: (44) (0) 1656 776 220  
uk@invacare.com  
www.invacare.co.uk

### España:

Invacare SA  
c/Areny s/n, Polígon Industrial de Celrà  
E-17460 Celrà (Girona)  
Tel: (34) (0)972 49 32 00  
Fax: (34) (0)972 49 32 20  
contactsp@invacare.com  
www.invacare.es

### Italia:

Invacare Mecc San s.r.l.,  
Via dei Pini 62,  
I-36016 Thiene (VI)  
Tel: (39) 0445 38 00 59  
Fax: (39) 0445 38 00 34  
italia@invacare.com  
www.invacare.it

### Portugal:

Invacare Lda  
Rua Estrada Velha, 949  
P-4465-784 Leça do Balio  
Tel: (351) (0)225 1059 46/47  
Fax: (351) (0)225 1057 39  
portugal@invacare.com  
www.invacare.pt

### USA:

Clarke Health Care Products  
7830 Steubenville Pike  
Oakdale, PA 15071, USA  
Toll Free: (888) 347-4537  
Phone: (724) 695-2122  
Fax: (724) 695-2922  
info@clarkehealthcare.com  
www.clarkehealthcare.com

### Canada:

Invacare Canada L.P.  
570 Matheson Blvd East, Unit 8  
CDN Mississauga, On. L4Z 4G4  
Phone: (905) 890 8300  
Toll Free: 800.668.5324  
www.invacare.ca

### Australia:

Invacare Australia Pty. Ltd.  
1 Lenton Place, North Rocks NSW 2151  
Australia  
Phone: 1800 460 460  
Fax: 1800 814 367  
orders@invacare.com.au  
www.invacare.com.au

### New Zealand:

Invacare New Zealand Ltd  
4 Westfield Place, Mt Wellington 1060  
New Zealand  
Phone: 0800 468 222  
Fax: 0800 807 788  
sales@invacare.co.nz  
www.invacare.co.nz



Aquatec Operations GmbH  
Alemannenstraße 10  
D-88316 Isny  
Germany



1639501-B 2019-01-30



**Making Life's Experiences Possible®**

**AQUATEC®**



**Yes, you can.®**