

P42811

FP Dovedale Commode

### ⚠ GENERAL SAFETY WARNING ⚠

Please make sure that you read and follow these instructions carefully. Failure to do so can result in injury. Keep these instructions in a safe place for future reference.

### MAXIMUM USER WEIGHT



### INTENDED USE

The Dovedale commode has been designed to assist those who have difficulty in accessing or using a standard toilet. All Dovedale commodes have a hinged plastic toilet seat, commode bucket with lid and vinyl lift off vanity cover.



### SAFETY

The maximum user weight must not be greater than 20st / 127kg.

Do not use the commode unless you are sure it is safe to do so. If in doubt, contact your supplier for advice.

Inspect the commode frame and fixings at regular intervals for wear and damage. If damage is found, stop using the commode and contact your supplier immediately for advice.

The vinyl vanity cover must not be used as a seat, it should only be used as a cover.

Do not stand on the commode under any circumstances, failure to comply can result in serious injury.

Do not attempt to move the commode when in use.

Always use with the backrest fitted. Do not lean backward, this can cause the commode to tip over.

### UNPACKING

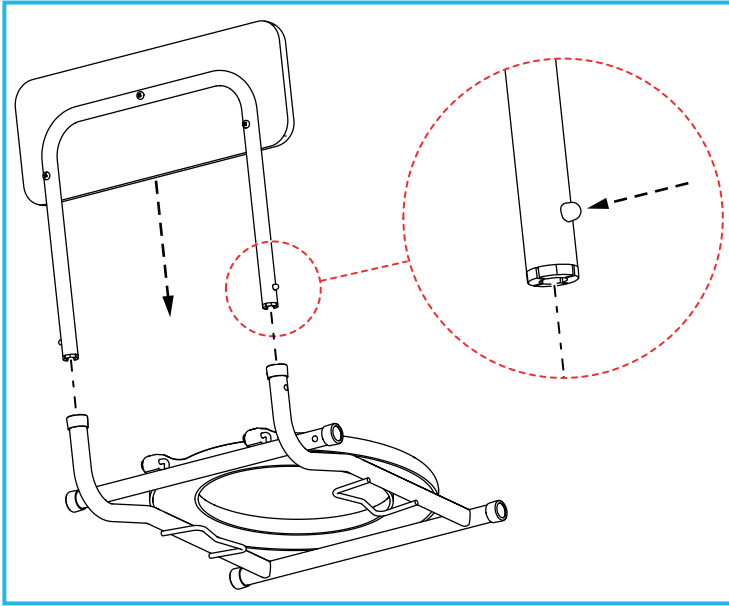
Remove the packaging and check all parts carefully. Contact your supplier immediately if parts are missing or damaged and do not try and assemble.

### Contents:

1. Side Frame x 2
2. Back Rest Assembly x 1
3. Seat Assembly x 1
4. Vinyl Vanity Cover x 1
5. Legs x 4
6. Commode Pan and Lid (not shown) x 1
7. E-clips x 4

## ASSEMBLY

### 1. Fitting the Backrest Assembly:

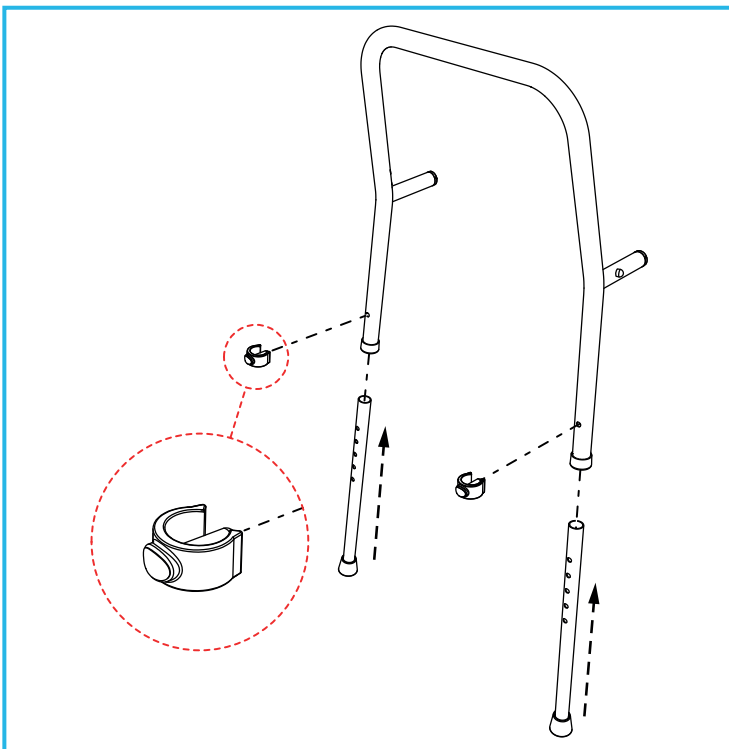


Slide the backrest assembly into the seat frame assembly.

Push and hold the backrest assembly button-clips, then push the backrest assembly into the seat frame until the button-clips click into position in the holes.

**Note:** Make sure that the button clips have fully engaged the holes.

### 2. Fitting the Legs to the Side Frame:

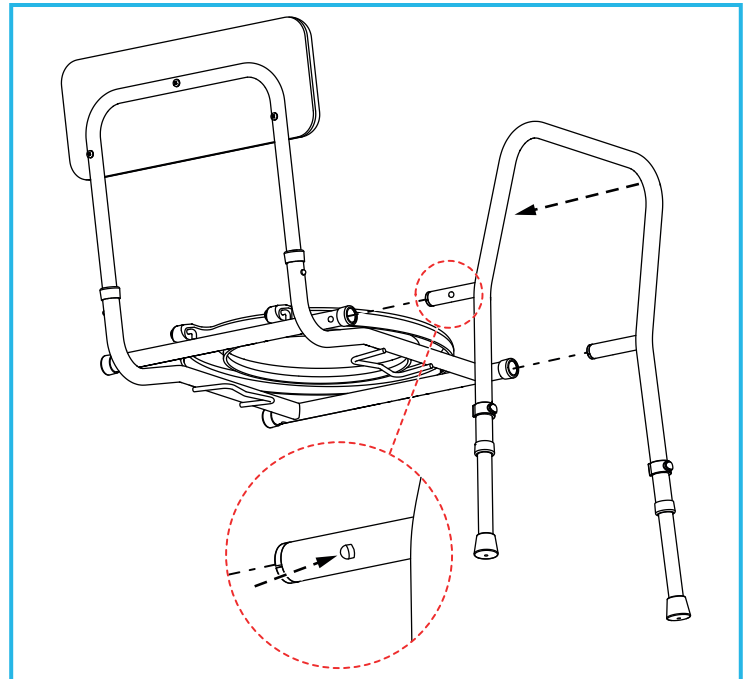


Insert the legs into the side frame and secure with 2 x E-clips.

Repeat the process for the other side.

**Note:** Make sure that all legs have been adjusted to the same height.

### 3. Fitting the Side Assembly to the Seat Frame:



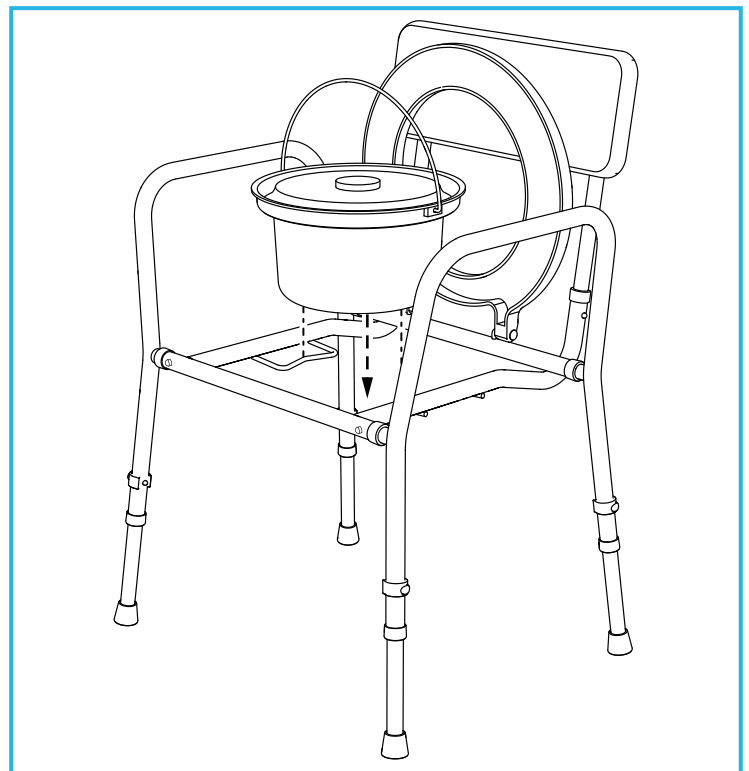
Slide the side assembly into the seat frame assembly.

Push and hold the side assembly button-clips, then push the side assembly into the seat frame until the button-clips click into position in the holes.

Repeat the process for the other side.

**Note:** Make sure that the button clips have fully engaged the holes.

### 4. Fitting the Commode Pan

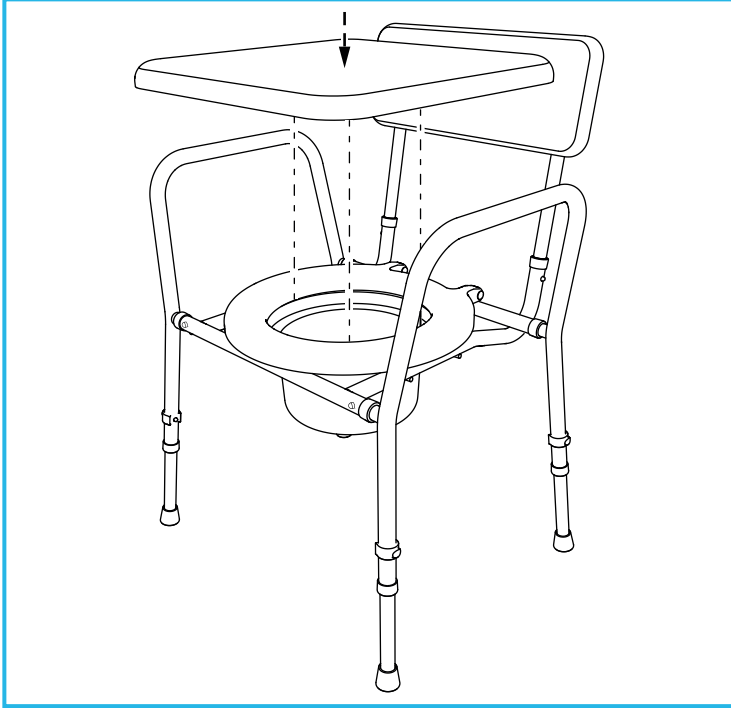


Place the commode pan onto the retainers, on either side of the seat frame.

Check that the commode pan is fully secure before use.

## 5. Fitting the Vinyl Vanity Cover

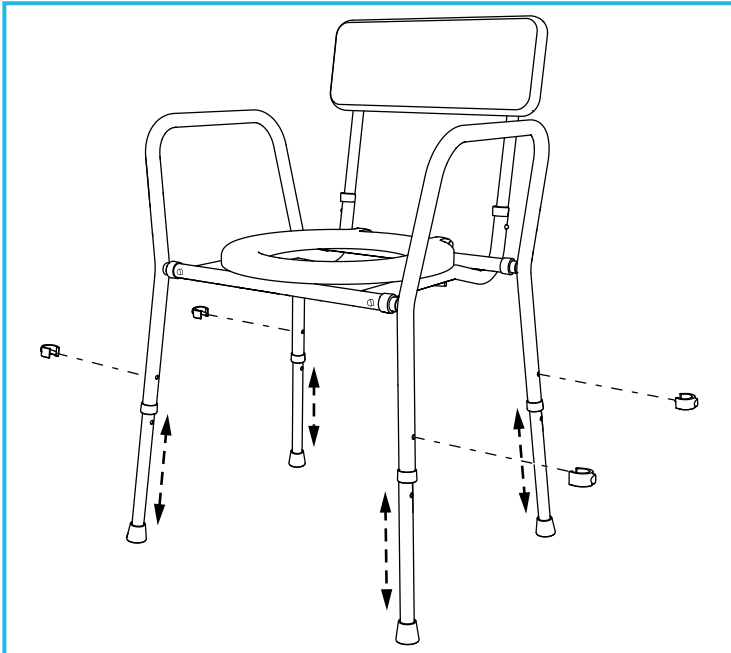
The vinyl vanity cover is fitted with 3 spacers to prevent it from slipping off the toilet seat.



**Note:** The toilet seat must be in the lowered position before fitting the vanity cover.

Place the vanity cover onto the toilet seat, making sure that the 3 spacers fit inside the toilet seat bowl.

## 6. Adjusting the Height



**Note:** You should remove the vanity cover before adjusting the height.

To adjust the commode height, remove the E-clips, then slide each leg to the required height.

Align the adjustment holes and replace the E-clips.

**Note:** Make sure that all legs have been adjusted to the same height before use.

## IN USE

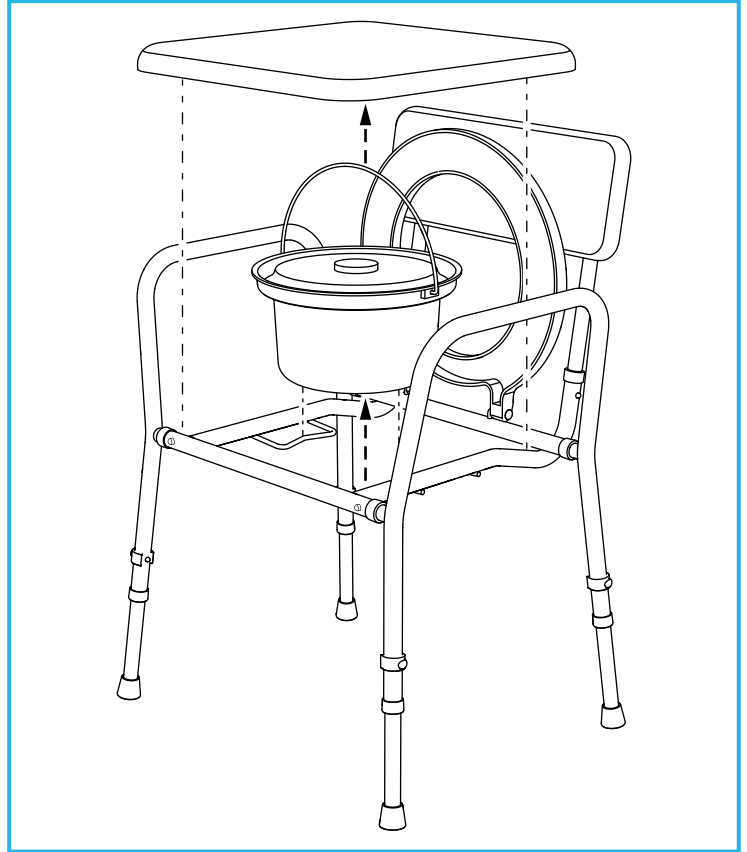
**Note:** To avoid trip hazards, be mindful of the positioning of the product, in relation to other items within the room. Ideally the product should be placed with the back of the commode against a wall.

### 1. Using the Commode

Remove the vinyl vanity cover and commode pan lid to use the commode.

Use the commode arms to assist in the raising and lowering, to and from the seated position.

### 2. Removing the Commode Pan



Remove the vinyl vanity cover.

Lift the toilet seat to the raised position.

Fix the lid onto the commode pan to avoid spills or splashing.

Using the commode pan handle, carefully lift the commode pan free of the seat frame assembly.

Dispose of the contents into an appropriate sluice or WC.

**WARNING: NEVER USE AN OPEN DRAIN, SINK OR BASIN. THIS COULD CAUSE A SERIOUS HEALTH RISK.**

Clean out the residue with a suitable disinfectant, dry thoroughly and refit to the commode.

## CLEANING

Clean the vinyl vanity cover with a suitable detergent and warm water, wipe and dry with disposable paper towel.

Clean the frame and toilet seat with a suitable detergent and warm water. Wash the framework and arm rests thoroughly, paying particular attention to the toilet seat hinges and the underside of the toilet seat.

To disinfect, wipe with a dilute bleach solution, and rinse thoroughly with fresh water.

The commode pan and lid can be autoclaved at 80°C.

Allow the equipment to dry prior to stacking and storage.

## MAINTENANCE

Check the seat, legs and frame for damage at regular intervals.

**Warning: Do not use the product if the seat, legs or frame are damaged in any way.**

Please contact your supplier if you require assistance with the maintenance of the commode. Incorrect adjustments can result in serious injury.

## ACCESSORIES & SPARE PARTS

P57887: Spares Kit (4 x E-clip & 4 x Ferrule).

M11193: Spare Commode Pan and Lid.

P42639: Abena Abri-Bag Commode Liner.



For more details please visit our website:

[www.nrshealthcare.co.uk](http://www.nrshealthcare.co.uk) or call Customer Services.

**NRS HEALTHCARE** Sherwood House, Cartwright Way, Forest Business Park, Bardon Hill, Coalville, Leicestershire, LE67 1UB, UK.

Tel. Customer Services: 0345 121 8111

Email: [customerservices@nrshealthcare.co.uk](mailto:customerservices@nrshealthcare.co.uk)

NRS Healthcare is a leading supplier of community equipment and daily living aids, to view our full range, visit our website:

[www.nrshealthcare.co.uk](http://www.nrshealthcare.co.uk)

P42811-UI-1

## PRODUCT DISPOSAL

This product should be thoroughly cleaned prior to disposal.

This product is manufactured from metal and plastic and can be disposed of through Local Authority Household Waste and Recycling Centres or through Local Trade Waste Collectors.

## PRODUCT GUARANTEE

NRS Healthcare guarantee this product for a period of 12 months, from the date of purchase, against faulty materials and workmanship.

This guarantee does not cover; abuse, misuse, interference or tampering with any part of the product.

Any guarantee issued by NRS Healthcare does not affect your statutory rights.